



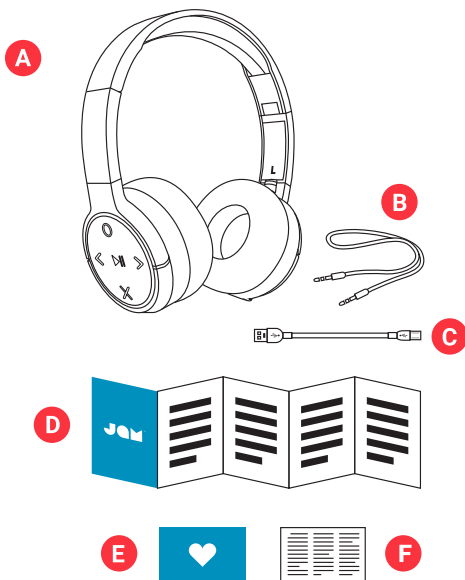
ALREADY THERE

HX-HP101
Instruction Book

TABLE OF CONTENTS

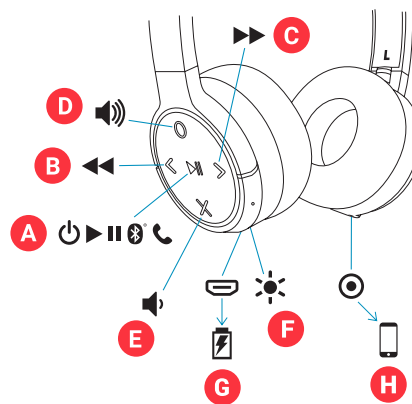
English.....	2	Norsk.....	59
Français.....	7	Ελληνικά.....	64
Español.....	13	Čeština.....	69
Deutsch.....	19	Magyar.....	74
Nederlands.....	24	Português.....	79
Dansk.....	29	Slovenčina.....	84
Italiano.....	34	Română.....	89
Suomi.....	39	Polski.....	94
Türkçe.....	44	العربية.....	99
Svenska.....	49	한국어.....	104
Русский.....	54	中文.....	109

CONTENTS



- A – Headphones
- B – Aux cable
- C – USB charging cable
- D – Quick-Start Guide
- E – Welcome card
- F – Legal card

CONTROLS



- A – Power on/off/play/pause button
- B – Previous track
- C – Next track
- D – Volume up
- E – Volume down
- F – LED light indicator
- G – Charging port
- H – Aux-in port

SET UP

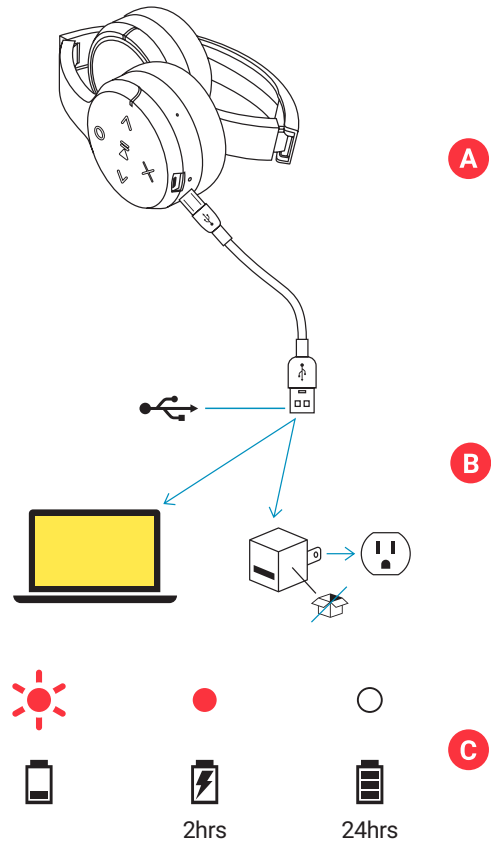
CHARGING YOUR HEADPHONES

The “Already There” headphones are powered by a rechargeable battery. The headphones come pre-charged; however, for optimal play time, be sure to charge before first use.

A – Unwrap the charging cable and plug the micro USB end into the charging port on the headphones.

B – Connect the larger USB plug to your computer or a powered USB AC adapter. An AC adapter is not included in the box, but you can use the one for your cell phone or pick one up next time you’re at the store.

C – When the LED flashes red, it indicates that the battery is low and it’s time to plug in and recharge. Charge for about 2 hours to get up to 24 hours of play time; while charging, the light will stay solid red. Once fully charged, the LED will turn off.



USE

A – TURN ON YOUR HEADPHONES

Long press the “play/pause” button for 3 seconds to turn on your headphones.

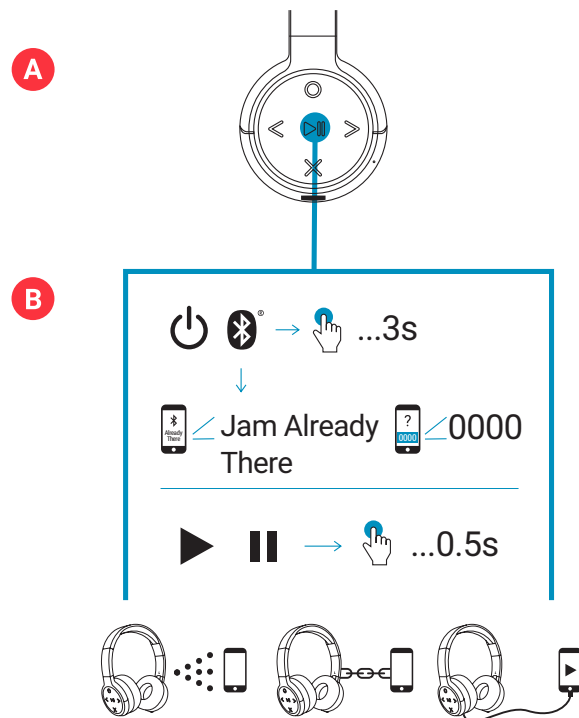
B – CONNECTING TO A DEVICE

Once turned on, the headphones will immediately search for a device to pair to; the LED will blink red and blue alternately. Enable Bluetooth® on your device. From the Bluetooth® menu, select “Jam Already There.” Once it’s connected, you will hear a tone and the LED light will flash blue every five seconds.

Once paired, your device and headphones will find each other every time, as long as your device’s Bluetooth® is on. If you’re connecting to a computer, you may have a few more steps on that end. You’ll have to get that information from the computer company.

Depending on your device, you may be prompted to enter a pairing code. If so, use “0000” as the code. Holding down the “<” and “>” buttons at the same time, for 3 seconds, will disconnect a paired device.

You may also connect your device to Already There using an aux cord, which is included.



C – BUTTON FUNCTION

Short press the “play/pause” button for 0.5 seconds to play your music. To increase the volume, short press the “O” button; to lower the volume, short press the “X” button. To skip forward a track, long press the “>” button; to skip back a track, long press the “<” button.

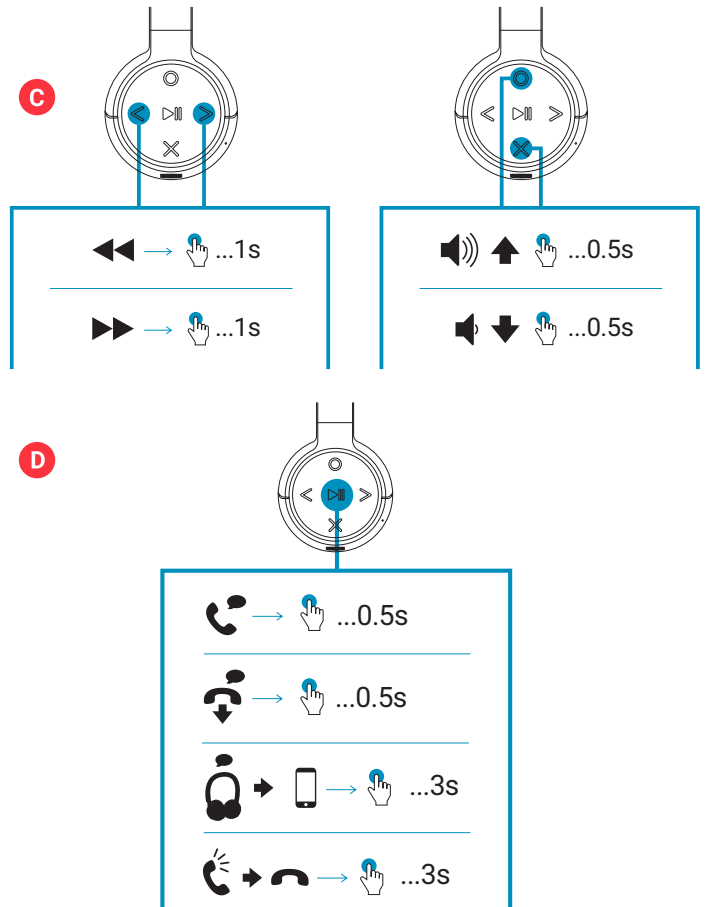
D – CALL HANDLING

While rocking out to your music, if a call comes in, short press the “play/pause” button to pick up a call; short press again when you’re done, to hang up.

While on a call, if you want to make it private, long press the “play/pause” button to move the call from the headphones to your phone.

If a call comes in and you don’t want to pick it up, long press the “play/pause” button to send the call to voicemail.

*See the tables below for complete button function and LED light indicator interpretation.



LED INDICATORS

CHARGING

Red flash every 5 seconds	Low battery
Solid red	Charging
LED off	Charging complete

IN USE

Flash blue and red	Pairing mode
Blue flash every 5 seconds	Paired with device

BASIC FUNCTIONS

POWER

Power on/off	Long press play/pause button
--------------	------------------------------

MUSIC

Play/Pause	Short press play/pause button
Volume up	Short press O button
Volume down	Short press X button
Skip forward a track	Long press > button
Skip backward a track	Long press < button

CALLS

Pick up a call	Short press play/pause button
Decline a call	Long press play/pause button
End a call	Short press play/pause button
Take a second incoming call	Short press play/pause button
Decline a second incoming call	Long press play/pause button
Transfer active call from headphones to device	Long press play/pause button

LEGAL INFORMATION

READ ALL INSTRUCTIONS BEFORE USE AND SAVE THESE INSTRUCTIONS FOR FUTURE REFERENCE.

FCC Warning:

This equipment has been tested and found to comply with the limits for a Class B digital device, pursuant to Part 15 of the FCC Rules. These limits are designed to provide reasonable protection against harmful interference in a residential installation. This equipment generates, uses, and can radiate radio frequency energy and, if not installed and used in accordance with the instructions, may cause harmful interference to radio communications. However, there is no guarantee that interference will not occur in a particular installation. If this equipment does cause harmful interference to radio or television reception, which can be determined by turning the equipment off and on, the user is encouraged to try to correct the interference by one or more of the following measures:

- Reorient or relocate the receiving antenna.
- Increase the separation between the equipment and receiver.
- Connect the equipment into an outlet on a circuit different from that to which the receiver is connected.
- Consult the dealer or an experienced radio/TV technician for help.

Any changes or modifications not expressly approved by the party responsible for compliance could void the user's authority to operate the equipment.

This device complies with Part 15 of the FCC Rules. Operation is subject to the following two conditions:

- (1) This device may not cause harmful interference, and
- (2) This device must accept any interference received, including interference that may cause undesired operation.

FCC RF Exposure Statement:

This equipment complies with FCC radiation exposure limits set forth for an uncontrolled environment. This transmitter must not be co-located or operating in conjunction with any other antenna or transmitter.

ISED Cautions:

This device complies with Innovation, Science, and Economic Development Canada licence-exempt RSS standard(s). Operation is subject to the following two conditions:

- (1) This device may not cause interference, and
- (2) This device must accept any interference, including interference that may cause undesired operation of the device.

ISED RF Exposure Statement:

The device is in compliance with RF exposure guidelines; users can obtain Canadian information on RF exposure and compliance.

1-YEAR LIMITED WARRANTY – US & CANADA

WARRANTY – US & CANADA

JAM warrants this product free from defect in material and workmanship for a period of 1 year from the date of purchase. This warranty does not cover damage caused by misuse or abuse, accident, the attachment of any unauthorised accessory, alteration to the product, or any other conditions whatsoever that are beyond the control of JAM.

For detailed Warranty instructions and information, visit: www.jamaudio.com/customer-support/warranty-1yr. To obtain warranty service on your JAM product, contact a Consumer Relations representative by the telephone number or email address for your country of residence. Please make sure to have the model number of the product available.

For service in the USA

Email: cservice@jamaudio.com
Tel: 1-888-802-0040
8:30am–7:00pm EST M–F

For service in Canada

Email: cservice@homedicsgroup.ca
Tel: 1-888-225-7378
8:30am–5:00pm EST M–F

WARRANTY – UK & EUROPE

JAM warrants this product free from defect in material and workmanship for a period of 2 years from the date of purchase. This warranty does not cover damage caused by misuse or abuse, accident, the attachment of any unauthorised accessory, alteration to the product, or any other conditions whatsoever that are beyond the control of JAM. Distributed in the EU by FKA Brands Ltd, Somerhill Business Park, Tonbridge, TN11 0GP, UK. Tel: 020 3538 0768 Email: uksupport@jamaudio.com.

WARRANTY – AUSTRALIA (1-YEAR LIMITED WARRANTY)

We or Us means HoMedics Australia Pty Ltd ACN 31 103 985 717 and our contact details are set out at the end of this warranty; You means the purchaser or the original end-user of the Goods. You may be a domestic user or a professional user; Supplier means the authorized distributor or retailer of the Goods that sold you the Goods in Australia and New Zealand; and Goods means the product or equipment which was accompanied by this warranty and purchased in Australia and New Zealand.

For Australia:

Our Goods come with guarantees that cannot be excluded under the Australian Consumer Law. You are entitled, subject to the provisions of the Australian Consumer Law, to a replacement or refund for a major failure and for compensation for any other reasonably foreseeable loss or damage. You are also entitled, subject to the provisions of the Australian Consumer Law, to have the Goods repaired or replaced if the goods fail to be of acceptable quality and the failure does not amount to a major failure. This is not a complete statement of your legal rights as a consumer.

For New Zealand:

Our Goods come with guarantees that cannot be excluded under the Consumer Guarantees Act 1993. This guarantee applies in addition to the conditions and guarantees implied by that legislation.

The Warranty

HoMedics sells its products with the intent that they are free of defects in manufacture and workmanship under normal use and service. In the unlikely event that your HoMedics product proves to be faulty within 1 year from the date of purchase due to workmanship or materials only, we will replace it at our own expense, subject to the terms and conditions of this guarantee. The warranty period is limited to 3 months from the date of purchase for products used commercially/professionally.

Terms and Conditions:

In addition to the rights and remedies that you have under the Australian Consumer Law, Consumer Guarantees Act of New Zealand or any other applicable law and without excluding such rights and remedies warranty against defects:

1. The Goods are designed to withstand the rigors of normal household use and are manufactured to the highest standards using the highest quality components. Whilst unlikely, if, during the first 12 months (3 months commercial use) from their date of purchase from the Supplier (Warranty Period), the Goods prove defective by reason of improper workmanship or materials and none of your statutory rights or remedies apply, we will replace the Goods, subject to the terms and conditions of this warranty.
2. We do not have to replace the Goods under this Additional Warranty if the Goods have been damaged due to misuse or abuse, accident, the attachment of any unauthorised accessory, alteration to the product, improper installation, unauthorised repairs or modifications, improper use of electrical/power supply, loss of power, malfunction, or damage of an operating part from failure to provide manufacturer's recommended maintenance, transportation

damage, theft, neglect, vandalism, environmental conditions, or any other conditions whatsoever that are beyond the control of HoMedics.

3. This Warranty does not extend to the purchase of used, repaired, or secondhand products, or to products not imported or supplied by HoMedics Australia Pty Ltd, including but not limited to those sold on offshore internet auction sites.
4. This Warranty extends only to consumers and does not extend to Suppliers.
5. Even when we do not have to replace the Goods, we may decide to do so anyway. In some cases, we may decide to substitute the Goods with a similar alternative product of our choosing. All such decisions are at our absolute discretion.
6. All such replaced or substituted Goods continue to receive the benefit of this Additional Warranty for the time remaining on the original Warranty Period (or 3 months, whichever is the longest).
7. This Additional Warranty does not cover items damaged by normal wear and tear, including but not limited to chips, scratches, abrasions, discolouration, and other minor defects, where the damage has negligible effect on the operation or performance of the Goods.
8. This Additional Warranty is limited to replacement or substitution only. As far as the law permits, we will not be liable for any loss or damage caused to property or persons arising from any cause whatsoever, and shall have no liability for any incidental, consequential, or special damages.
9. This warranty is only valid and enforceable in Australia and New Zealand.

Making a Claim:

In order to claim under this Warranty, you must return the Goods to the Supplier (place of purchase) for replacement. If this is not possible, please contact our Consumer Relations department by email (cservice@homedics.com.au) or at the address below.

- All returned Goods must be accompanied by satisfactory proof of purchase that clearly indicates the name and address of the Supplier, the date and place of purchase, and identifies the product. It is best to provide an original, legible, and unmodified receipt or sales invoice.
- You must bear any expense for return of the Goods or otherwise associated with making your claim under this Additional Warranty.

Distributed in Australia by HOMEDICS AUSTRALIA PTY LTD, 14 Kingsley Close, Rowville, Victoria 3178. Distributed in New Zealand by Phoenix Distribution NZ Ltd, 7B Orbit Drive, Albany / North Shore 0757, Auckland, New Zealand.

For service in Australia

Email:
cservice@homedics.com.au
Tel: 03 87566500
8:30am–5:00pm AEST M–F
www.jam-audio.com.au

IMPORTANT SAFETY INSTRUCTIONS

READ ALL INSTRUCTIONS BEFORE USING.

WARNING: Listen responsibly. To avoid hearing damage, make sure the volume on your device is turned down before connecting earphones. After placing earphones on your ears, gradually turn up the volume until you reach a comfortable listening volume.

- Use this product only for its intended purpose as described in this manual. Do not use attachments not recommended by Jam.
- Jam is not liable for any damage caused to smartphones, iPod/MP3 players, or any other devices.
- Do not place or store this product where it can fall or be dropped into a tub or sink.
- Do not place or drop into water or any other liquid.
- Not for use by children. THIS IS NOT A TOY.

- Never operate this product if it has a damaged cord, plug, cable, or housing.
- Keep away from heated surfaces.
- Only set on dry surfaces. Do not place on surface wet from water or cleaning solvents.

WARNING: This product has an internal, non-replaceable lithium battery. Please dispose in accordance with your local, state, province, and country guidelines. Batteries (battery pack or batteries installed) shall not be exposed to excessive heat such as sunshine, fire, or the like.

BATTERY REPLACEMENT

Your headphones includes a rechargeable battery designed to last the lifetime of the product. In the unlikely event that you should require a replacement battery, please contact Consumer Relations, which will supply details of the warranty and out-of-warranty replacement battery service. This product contains small parts that may present a choking hazard for young children.

CAUTION: All servicing of this product must be performed by authorized Jam Audio service personnel only. For complete user guide and to register your product, visit www.jamaudio.com (USA), canada.jamaudio.com (Canada), or uk.jamaudio.com/instructionbooks (UK).



To prevent possible hearing damage, do not listen at high volume for long periods.



WEEE EXPLANATION

This marking indicates that this product should not be disposed with other household wastes throughout the EU. To prevent possible harm to the environment or human health from uncontrolled waste disposal, recycle it responsibly to promote the sustainable reuse of material resources.



BATTERY DIRECTIVE

This symbol indicates that batteries must not be disposed of in the domestic waste as they contain substances that can be damaging to the environment and health. Please dispose of batteries in designated collection points.

Hereby, FKA Brands Ltd declares that this radio device is in compliance with the essential requirements and other relevant provisions of Directive 2014/53/EU. A copy of the Declaration of Conformity can be obtained from uk.jamaudio.com/DoC.

© 2019 HMDX. All rights reserved. JAM is a registered trademark of HMDX. HMDX is a registered trademark of FKA Distributing Co. The Bluetooth® word mark and logos are registered trademarks owned by Bluetooth SIG, Inc. and any use of such marks by HMDX is under license.



Operating frequency band: 2402 - 2480MHz

HX-HP101: Maximum radio-frequency power transmitted: 5.9dBm for BT4.2

Distributed by HMDX.
3000 N Pontiac Trail
Commerce Township, MI 48390

All rights reserved.
IB-HXHP101

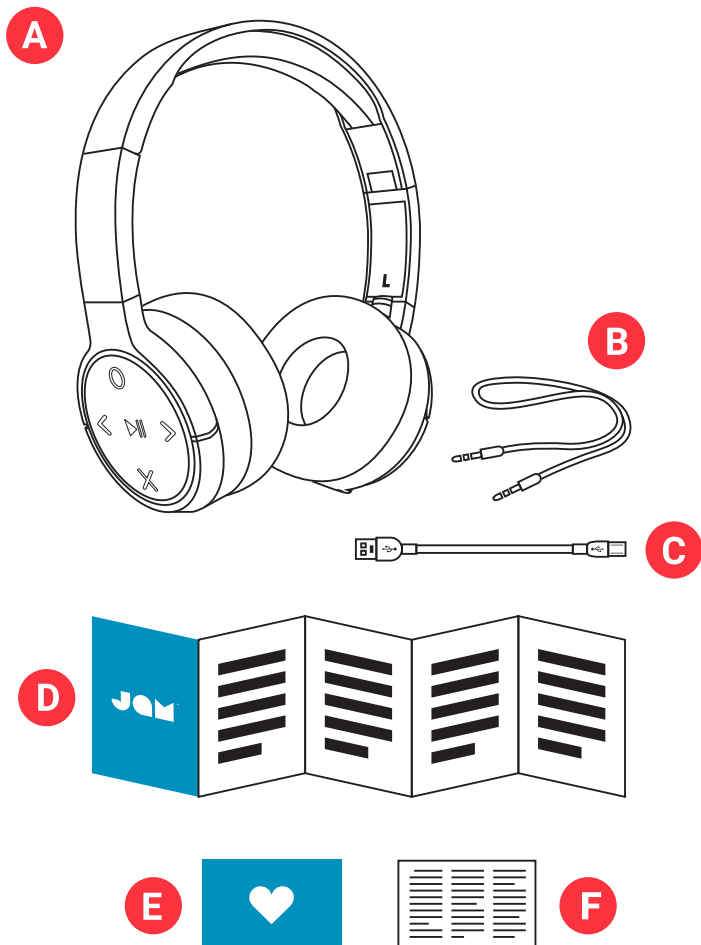


ALREADY THERE

HX-HP101

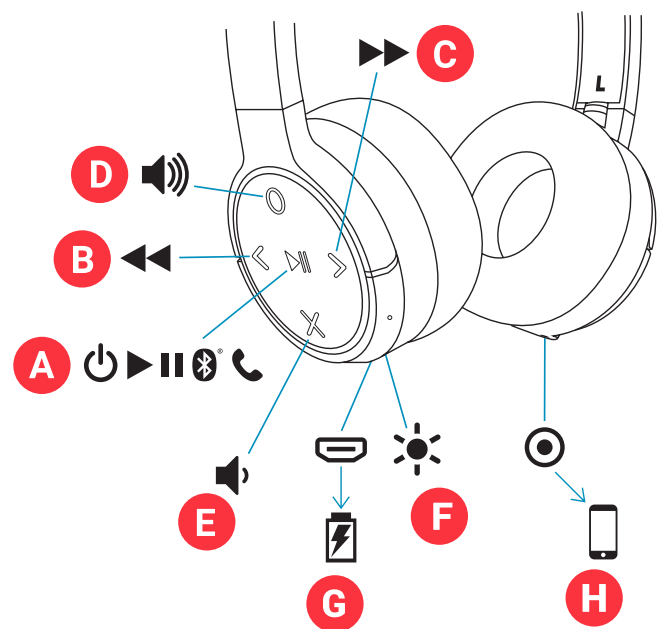
Livret d'instructions

CONTENU



- A – Casque d'écoute
- B – Cordon auxiliaire
- C – Câble de charge USB
- D – Guide de démarrage rapide
- E – Carte de bienvenue
- F – Carte juridique

COMMANDES



- A – Bouton Marche/Arrêt/Lecture/Pause
- B – Piste précédente
- C – Piste suivante
- D – Augmentation du volume
- E – Réduction du volume
- F – Voyant à DEL
- G – Port de charge
- H – Port d'entrée auxiliaire

CONFIGURATION

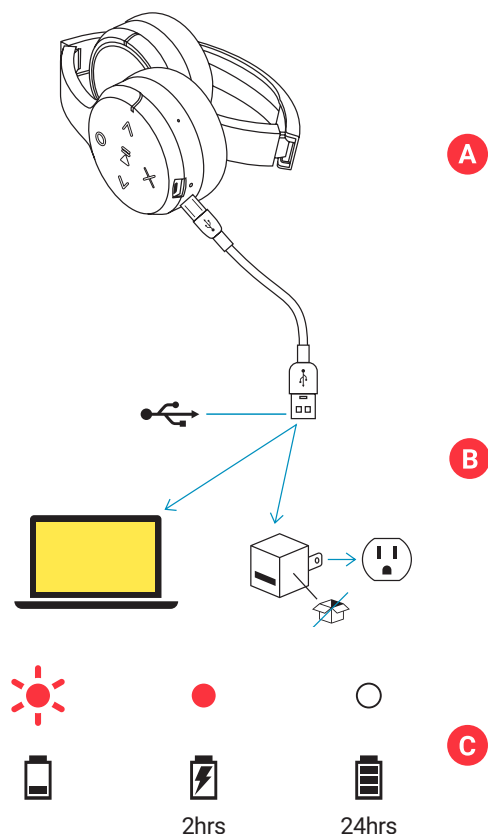
CHARGE DU CASQUE D'ÉCOUTE

Le casque d'écoute « Already There » est alimenté par une batterie rechargeable. Le casque d'écoute est fourni préchargé. Toutefois, pour assurer une durée d'écoute optimale, veillez à le charger avant la première utilisation.

A – Déroulez le câble de charge inclus et branchez l'extrémité micro USB dans le port de charge du casque d'écoute.

B – Branchez la plus grande la prise USB à votre ordinateur ou à un adaptateur secteur USB alimenté. L'adaptateur secteur n'est pas inclus dans la boîte, mais vous pouvez utiliser celui de votre téléphone cellulaire ou vous en procurer un lors de vos prochains achats.

C – Lorsque le voyant à DEL clignote en rouge, cela indique que la batterie est faible et qu'il est temps de la brancher et de la recharger. Une charge d'environ 2 heures produit jusqu'à 24 heures d'écoute; pendant la charge, le voyant reste allumé en rouge. Il s'éteint lorsque l'appareil est chargé.



UTILISATION

A – MISE EN MARCHÉ DU CASQUE D'ÉCOUTE

Appuyez sur le bouton « Lecture/Pause » pendant 3 secondes pour mettre le casque d'écoute en marche.

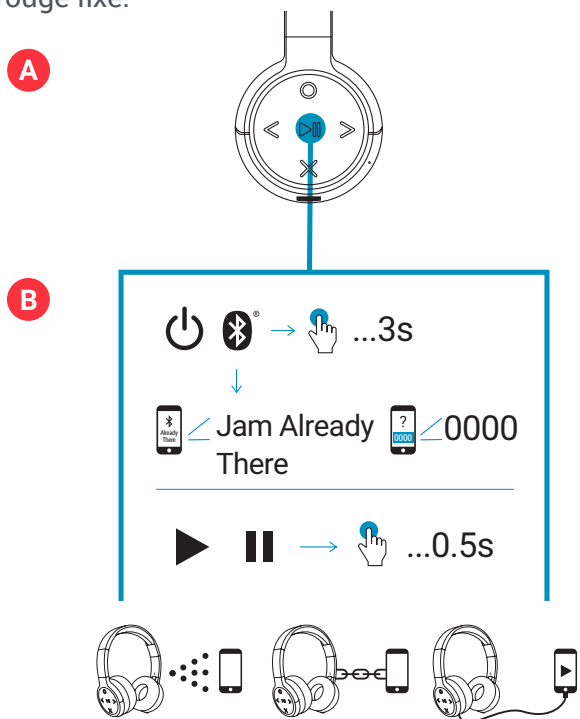
B – CONNEXION À UN APPAREIL

Une fois activé, le casque d'écoute recherche immédiatement un dispositif pour l'appairage et le voyant à DEL clignote alternativement en rouge et en bleu. Activez la fonction Bluetooth® sur votre appareil. Dans le menu Bluetooth®, sélectionnez « Already There ». Lorsque l'appareil et Already There sont connectés, vous entendrez une tonalité et le voyant à DEL s'allume en bleu fixe.

Une fois appairés, votre appareil et le casque d'écoute se détectent à chaque fois, tant que la fonctionnalité Bluetooth® de votre appareil est activée. Pour la connexion à un ordinateur, quelques étapes supplémentaires peuvent être requises. Ces informations sont disponibles auprès du fabricant de l'ordinateur.

Selon l'appareil utilisé, vous pouvez être invité(e) à saisir un code d'appairage. Si c'est le cas, entrez le code « 0000 ». Appuyez simultanément sur les boutons « < » et « > » pendant 3 secondes pour déconnecter un appareil appairé.

Vous pouvez également connecter votre appareil au haut-parleur Already There avec un câble auxiliaire, inclus. Une fois branché, le voyant s'allume en rouge fixe.



C – FONCTION DES BOUTONS

Appuyez brièvement sur le bouton « Lecture/Pause » pendant 0,5 seconde pour jouer votre musique.
 Pour augmenter le volume, appuyez brièvement sur le bouton « O ». Pour diminuer le volume, appuyez brièvement sur le bouton « X ». Pour passer à la piste suivante, appuyez momentanément sur le bouton « > ». Pour reculer d'une piste, appuyez momentanément sur le bouton « < ».

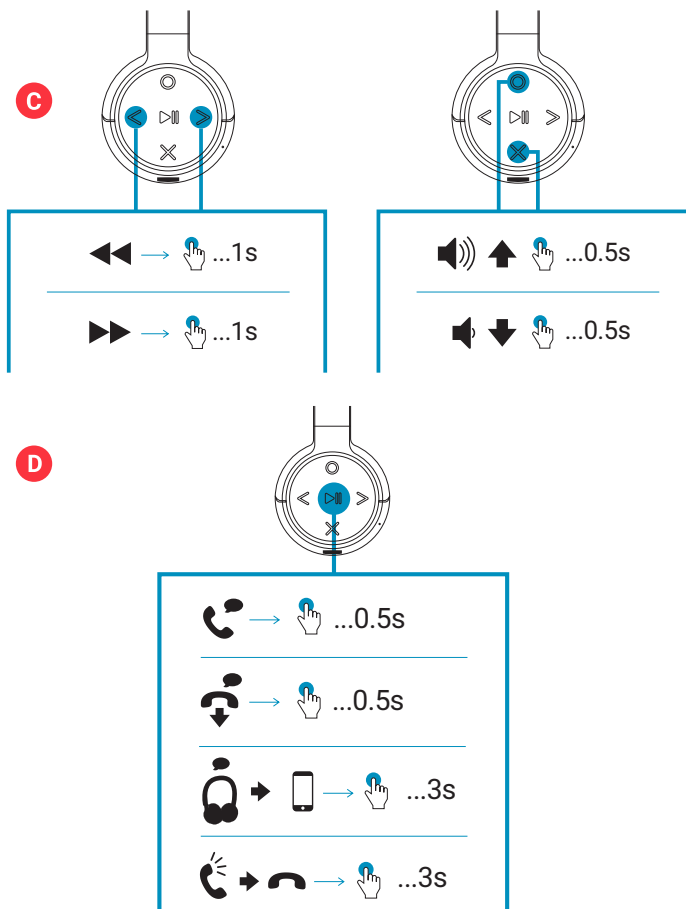
D – GESTION DES APPELS

Tout en écoutant votre musique, en cas d'appel, appuyez brièvement sur le bouton « Lecture/Pause » pour prendre un appel, puis appuyez brièvement une fois de plus pour raccrocher.

Si vous souhaitez que l'appel reste confidentiel, appuyez momentanément sur le bouton « Lecture/Pause » pour transférer l'appel du casque d'écoute à votre téléphone.

Pour ne pas répondre à un appel entrant, appuyez momentanément sur le bouton « Lecture/Pause » pour envoyer l'appel vers la messagerie vocale.

*Consultez les tableaux ci-dessous pour connaître toutes les fonctions des boutons et la signification des voyants à DEL.



VOYANTS À DEL

CHARGE

Clignotement rouge toutes les 5 secondes	Batterie faible
Rouge fixe	Charge en cours
Voyant éteint	Charge terminée

EN COURS D'UTILISATION

Clignotement bleu et rouge	Mode d'appairage
Clignotement bleu toutes les 5 secondes	Appairé avec l'appareil

FONCTIONS DE BASE

MISE SOUS TENSION

Bouton Marche/Arrêt	Appuyez momentanément sur le bouton Lecture/Pause
---------------------	---

MUSIQUE

Lecture/Pause	Appuyez brièvement sur le bouton Lecture/Pause
Augmentation du volume	Appuyez brièvement sur le bouton O
Réduire le volume	Appuyez brièvement sur le bouton X
Passer à la piste suivante	Appuyez momentanément sur le bouton >
Passer à la piste précédente	Appuyez momentanément sur le bouton <

APPELS

Prendre un appel	Appuyez brièvement sur le bouton Lecture/Pause
Refuser un appel	Appuyez momentanément sur le bouton Lecture/Pause
Raccrocher	Appuyez brièvement sur le bouton Lecture/Pause
Répondre à un deuxième appel entrant	Appuyez brièvement sur le bouton Lecture/Pause
Refuser un deuxième appel entrant	Appuyez momentanément sur le bouton Lecture/Pause
Transférer l'appel en cours du casque à l'appareil	Appuyez momentanément sur le bouton Lecture/Pause

INFORMATIONS LÉGALES

LIRE TOUTES LES INSTRUCTIONS AVANT L'UTILISATION ET CONSERVER CES INSTRUCTIONS POUR RÉFÉRENCE FUTURE.

Avertissement de la FCC :

Cet appareil a été testé et jugé conforme aux limites applicables aux appareils de Classe B, conformément à la Partie 15 du Règlement de la FCC. Ces limites sont conçues pour fournir une protection raisonnable contre les interférences nuisibles dans une installation résidentielle. Cet appareil génère, utilise et peut émettre une énergie de radiofréquence et, s'il n'est pas installé et utilisé conformément aux instructions, peut causer des interférences nuisibles aux communications radio. Il n'est toutefois pas garanti que des interférences ne se produiront pas dans une installation particulière. Si cet appareil provoque des interférences nuisibles à la réception radio ou télévision, ce qui peut être déterminé en éteignant l'appareil et en le rallumant, il est recommandé d'essayer de corriger les interférences en prenant une ou plusieurs des mesures suivantes :

- Réorienter ou déplacer l'antenne de réception;
- Augmenter la distance entre l'appareil et le récepteur;
- Brancher l'appareil dans une prise sur un circuit différent de celui auquel le récepteur est branché;
- Consulter le revendeur ou un technicien radio/TV expérimenté pour obtenir de l'aide.

Les changements ou modifications non expressément approuvés par l'autorité responsable de la conformité peuvent annuler l'autorisation d'utiliser l'équipement.

Cet appareil est conforme à la Partie 15 du Règlement de la FCC.

Son fonctionnement est soumis aux deux conditions suivantes :

- (1) Cet appareil ne doit pas provoquer d'interférences nuisibles, et
- (2) Cet appareil doit accepter toute interférence reçue, y compris les interférences pouvant entraîner un fonctionnement indésirable.

Déclaration de la FCC relative à l'exposition aux RF :

Cet équipement est conforme aux limites d'exposition aux radiations de la FCC établies pour un environnement non contrôlé. Cet émetteur ne doit pas être localisé ou fonctionner avec une autre antenne ou un autre émetteur.

Mise en garde d'ISDEC :

Cet appareil est conforme aux normes d'Innovation, Sciences et Développement économique Canada (ISDE) pour les appareils radio exempts de licence. Le fonctionnement est soumis aux deux conditions suivantes :

- (1) Cet appareil ne doit pas provoquer d'interférences nuisibles, et
- (2) Cet appareil doit accepter toute interférence reçue, y compris celles qui peuvent provoquer un fonctionnement indésirable de l'appareil.

Déclaration de l'ISED relative à l'exposition aux RF :

L'appareil est conforme aux directives d'exposition RF. Les utilisateurs peuvent obtenir de l'information canadienne sur l'exposition aux RF et la conformité.

GARANTIE LIMITÉE D'UN AN - ÉTATS-UNIS ET CANADA

GARANTIE – ÉTATS-UNIS ET CANADA

JAM garantit que ce produit est exempt de vice de matériau et de fabrication pendant une période d'un an à compter de la date d'achat. Cette garantie ne couvre pas les dommages causés par une mauvaise utilisation ou un abus, un accident, la fixation de tout accessoire non autorisé, la modification du produit ou toute autre condition de quelque nature que ce soit hors du contrôle de JAM.

Pour obtenir des informations et des instructions détaillées sur la garantie, veuillez visiter : www.jamaudio.com/customer-support/

warranty-1yr. Pour obtenir un service de garantie sur le produit JAM, prière de contacter un représentant du Service à la clientèle en utilisant le numéro de téléphone ou l'adresse de courriel indiqués pour votre pays de résidence. Prière d'avoir le numéro de modèle du produit à disposition.

Coordonnées du service après-vente aux États Unis :

Courriel : cservice@jamaudio.com
Téléphone : 1-888-802-0040
Du lundi au vendredi de 8 h 30 à 19 h (heure normale de l'Est)

Coordonnées du service après-vente au Canada :

Courriel : cservice@homedicsgroup.ca
Téléphone : 1-888-225-7378
Du lundi au vendredi de 8 h 30 à 17 h (heure normale de l'Est)

GARANTIE – ROYAUME-UNI ET EUROPE

JAM garantit que ce produit est exempt de vice de matériau et de fabrication pendant une période de deux ans à compter de la date d'achat. Cette garantie ne couvre pas les dommages causés par une mauvaise utilisation ou un abus, un accident, la fixation de tout accessoire non autorisé, la modification du produit ou toute autre condition de quelque nature que ce soit hors du contrôle de JAM. Distribué dans l'UE par FKA Brands Ltd, Somerhill Business Park, Tonbridge, TN11 0GP, Royaume-Uni.

Courriel : support.row@fkabrand.com

INSTRUCTIONS DE SÉCURITÉ IMPORTANTES

LIRE TOUTES LES INSTRUCTIONS AVANT L'UTILISATION

AVERTISSEMENT : Écoutez de manière responsable. Pour éviter les dommages auditifs, assurez-vous que le volume de votre appareil est abaissé avant de connecter le casque. Une fois le casque sur vos oreilles, augmentez progressivement le volume jusqu'à atteindre un volume d'écoute confortable.

- Ce produit ne doit être utilisé qu'aux fins décrites dans ce manuel. N'utilisez pas d'accessoires non recommandés par Jam.
- Jam n'est pas responsable des dommages causés aux téléphones intelligents, iPod/MP3 et tout autre appareil.
- Ne placez pas ni ne rangez l'appareil à un endroit d'où il pourrait chuter ou tomber dans un évier ou une baignoire.
- Ne placez pas l'appareil ni ne l'immergez dans de l'eau ou un autre liquide.
- Cet appareil ne doit pas être utilisé par les enfants. **CET APPAREIL N'EST PAS UN JOUET.**
- N'utilisez jamais l'appareil si le cordon, la fiche, le câble ou le boîtier sont endommagés.
- Éloignez l'appareil des surfaces chaudes.
- Ne posez l'appareil sur des surfaces sèches. Ne placez pas l'appareil sur des surfaces mouillées d'eau ou de solvants de nettoyage.

AVERTISSEMENT : Ce produit est muni d'une batterie au lithium interne qui ne peut pas être remplacée. Prière d'éliminer conformément à toutes les réglementations locales, d'État, provinciales et nationales. Les batteries (bloc de batterie ou batteries installées) ne doivent pas être exposées à une chaleur excessive, comme le soleil, des flammes ou d'autres sources de chaleur similaires.

REPLACEMENT DE LA BATTERIE

Le produit est muni d'une batterie rechargeable conçue pour durer la durée de vie du produit. Dans le cas peu probable que vous ayez besoin d'une batterie de remplacement, veuillez communiquer avec le Service aux consommateurs, qui fournira les informations de remplacement de la batterie dans la cadre de la garantie et hors garantie. Ce produit contient des petites pièces qui peuvent présenter un risque de suffocation pour les jeunes enfants.

MISE EN GARDE: Toute réparation de ce produit doit être réalisée exclusivement par le personnel de réparation Jam Audio. Pour le guide de l'utilisateur complet et enregistrer le produit, prière de visiter www.jamaudio.com (États-Unis) ou canada.jamaudio.com (Canada) ou uk.jamaudio.com/instructionbooks (Royaume-Uni).



Pour éviter tout risque d'endommagement de l'ouïe, n'écoutez pas à un volume élevé pendant de longues périodes.



EXPLICATION RELATIVE AUX DEEE

Ce marquage indique que ce produit ne doit pas être jeté avec les autres déchets ménagers dans toute l'UE. Pour éviter tout risque de dommage à l'environnement ou à la santé humaine causé par une mise au rebut non contrôlée des déchets, recycler de façon responsable pour promouvoir la réutilisation durable des ressources matérielles.



DIRECTIVE SUR LES BATTERIES

Ce symbole indique que les batteries ne doivent pas être éliminées dans les déchets domestiques, car ils contiennent des substances qui peuvent être nocives pour l'environnement et la santé. Prière d'éliminer les batteries auprès de sites de collecte désignés.

Par les présentes, FKA Brands Ltd déclare que cet appareil radio est conforme aux exigences essentielles et aux autres dispositions pertinentes de la directive 2014/53/UE. La Déclaration de conformité peut être obtenue à l'adresse uk.jamaudio.com/DoC.

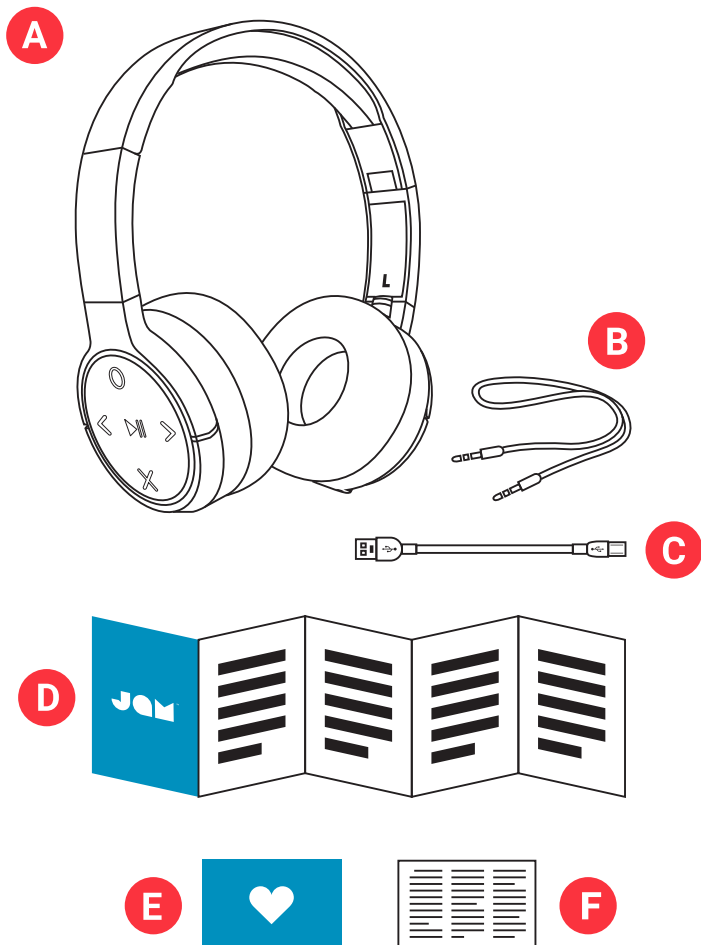


ALREADY THERE

HX-HP101

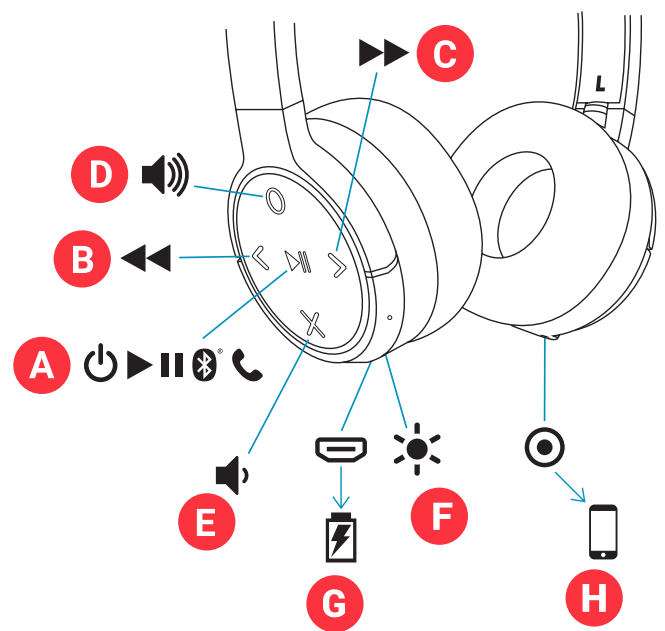
Libro de Instrucciones

CONTENIDO



- A – Audífonos
- B – Cable auxiliar
- C – Cable de carga USB
- D – Guía de inicio rápido
- E – Tarjeta de bienvenida
- F – Tarjeta legal

CONTROLES



- A – Botón de encendido/apagado reproducción/pausa
- B – Pista previa
- C – Siguiente pista
- D – Subir volumen
- E – Bajar volumen
- F – Indicador de luz LED
- G – Puerto de carga
- H – Puerto de entrada auxiliar

CONFIGURACIÓN

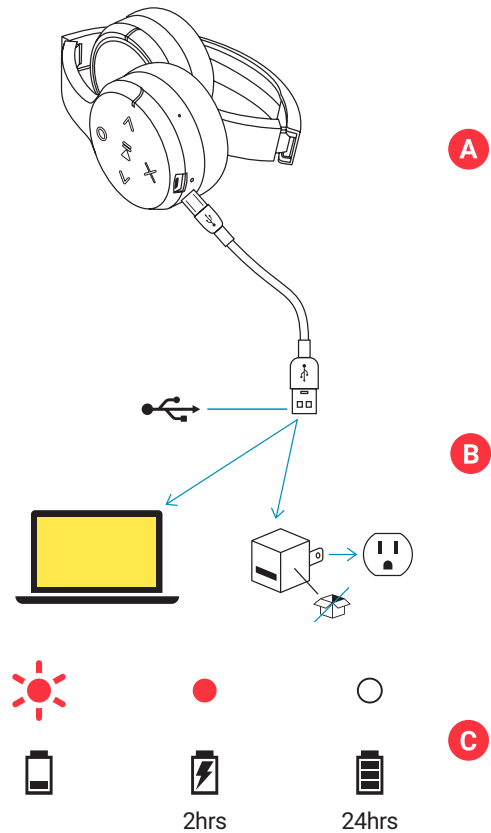
CÓMO CARGAR SUS AUDÍFONOS

Los audífonos "Already There" son alimentados por una batería recargable. Los audífonos vienen precargados, sin embargo, para un tiempo de reproducción óptimo, asegúrese de cargarlos antes del primer uso.

A – Desenrolle el cable de carga y conecte el extremo micro USB en el puerto de carga en los audífonos.

B – Conecte el enchufe USB mayor a su computadora o a un adaptador de CA USB energizado. El adaptador de CA no está incluido en la caja, pero puede usar el de su teléfono celular o adquirir uno la próxima vez que visite la tienda.

C – Cuando el LED parpadea en color rojo, indica que la batería está baja y que es momento para enchufarse y recargar. Cargue durante alrededor de 2 horas para tener hasta 24 horas de reproducción. La luz LED permanecerá encendida en color rojo durante el proceso de carga. Cuando estén completamente cargados, la luz LED se apagará.



MODO DE USO

A – ENCIENDA SUS AUDÍFONOS

Presione más tiempo el botón de reproducción/pausa por 3 segundos para encender sus audífonos.

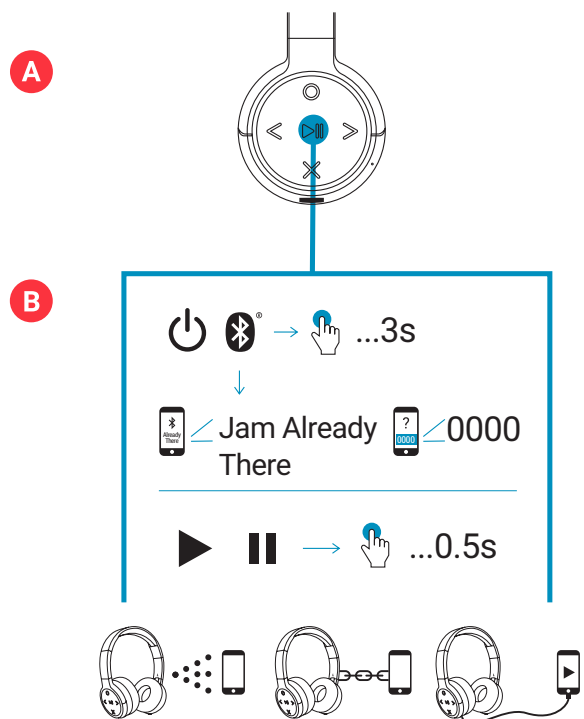
B – CONECTARSE A UN DISPOSITIVO

Una vez encendidos, los audífonos comenzarán a buscar de inmediato un dispositivo para emparejarse; el LED parpadeará de colores rojo y azul alternadamente. Habilite Bluetooth® en su dispositivo. Desde el menú Bluetooth® seleccione "Jam Already There". Cuando el dispositivo y Already There estén conectados, escuchará un tono y el LED emitirá una luz azul permanente.

Una vez apareados, su dispositivo y audífonos se encontrarán entre sí, siempre y cuando el Bluetooth® de su dispositivo esté encendido. Si lo está conectando a una computadora, es posible que tenga que hacer algunos pasos adicionales en ese extremo. Tendrá que obtener esa información de la empresa de computadoras.

Dependiendo de su dispositivo, se le pedirá que introduzca un código de emparejamiento. Si es así, ingrese como código "0000". Se desconectará un dispositivo emparejado si mantiene presionados los botones "<" y ">" al mismo tiempo durante 3 segundos.

También puede conectar su dispositivo al altavoz Already There usando un cable auxiliar, que está incluido. Al enchufarse, la luz se tornará color rojo permanente.



C – FUNCIÓN DE LOS BOTONES

Presione brevemente por 0.5 segundos el botón “reproducción/pausa” para reproducir su música. Para subir el volumen presione brevemente el botón “O”; para bajar el volumen presione brevemente el botón “X”. Para pasar a la siguiente pista, presione el botón “>”; para regresar a la pista anterior, presione el botón “<”.

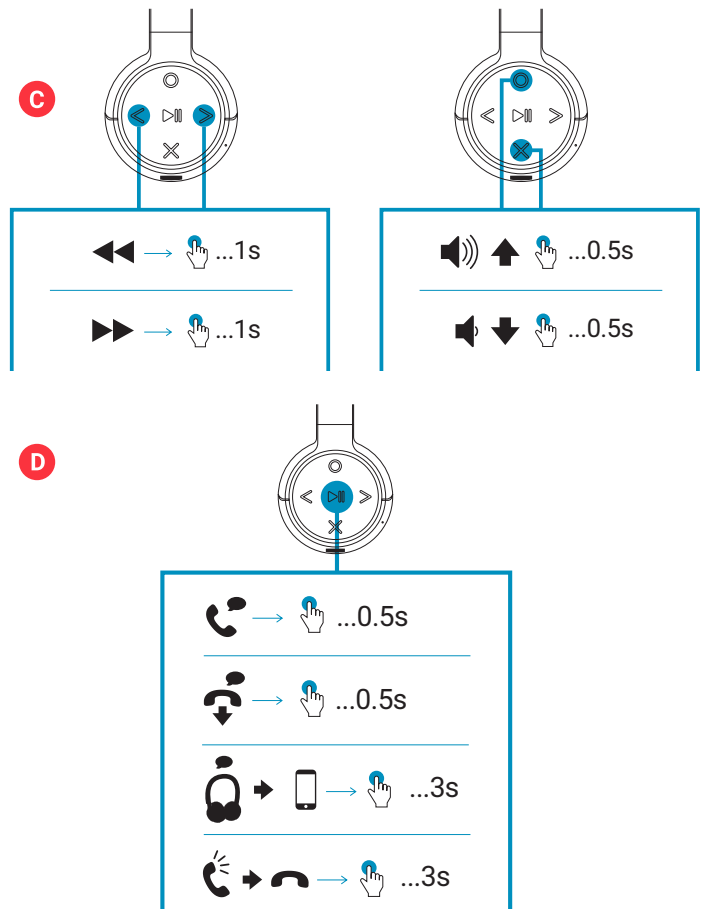
D – CONTESTACIÓN DE LLAMADA

Al estar disfrutando de su música, si recibe una llamada, presione brevemente el botón de “reproducción/pausa” para contestar la llamada, vuelva a presionar brevemente si terminó para colgar.

Mientras está en una llamada, si desea hacerla privada, presione más tiempo el botón de “reproducción/pausa” para pasar la llamada de sus audífonos a su teléfono.

Si suena una llamada y no desea contestarla, presione más tiempo el botón de “reproducción/pausa” para enviar la llamada al buzón de voz.

*Vea las funciones completas de los botones y la interpretación de los indicadores LED en las tablas a continuación.



INDICADORES LED

CARGANDO

Luz roja parpadeante cada 5 segundos	Batería baja
Luz roja permanente	Cargando
LED apagado	Carga completa

EN USO

Parpadeo azul y verde	Modo de emparejamiento
Luz azul parpadeante cada 5 segundos	Emparejado con el dispositivo

FUNCIONES BÁSICAS

ENERGÍA

Encender/apagar	Presione más tiempo el botón de reproducción/pausa
-----------------	--

MÚSICA

Reproducción/pausa	Presione brevemente el botón de reproducción/pausa
Subir volumen	Presione brevemente el botón O
Bajar volumen	Presione brevemente el botón X
Saltar a la siguiente pista	Presione más tiempo el botón >
Saltar a la pista anterior	Presione más tiempo el botón <

LLAMADAS

Contestar una llamada	Presione brevemente el botón de reproducción/pausa
No contestar una llamada	Presione más tiempo el botón de reproducción/pausa
Finalizar la llamada	Presione brevemente el botón de reproducción/pausa
Contestar una segunda llamada entrante	Presione brevemente el botón de reproducción/pausa
Rechazar una segunda llamada entrante	Presione más tiempo el botón de reproducción/pausa
Transferir la llamada de los audífonos al dispositivo	Presione más tiempo el botón de reproducción/pausa

INFORMACIÓN LEGAL

LEA TODAS LAS INSTRUCCIONES ANTES DE USAR Y GUÁRDELAS PARA FUTURA REFERENCIA.

Advertencia de FCC:

Este equipo ha sido probado y se encontró que cumple con los límites de un dispositivo digital Clase B, de conformidad con la Parte 15 de las Reglas de FCC. Estos límites están diseñados para proporcionar una protección razonable contra la interferencia dañina en una instalación residencial.

Este equipo genera, usa y puede irradiar energía de radiofrecuencia y si no se instala y usa de conformidad con las instrucciones, puede ocasionar interferencia dañina a las radiocomunicaciones. Sin embargo, no hay garantías de que no ocurra interferencia en una instalación en particular. Si este equipo causa interferencia dañina en la recepción de radio o televisión, lo cual se puede determinar apagando y encendiendo el equipo, se sugiere al usuario que trate de corregir la interferencia tomando una o más de las siguientes medidas:

- Reoriente o reubique la antena receptora.
- Aumente la separación entre el equipo y el receptor.
- Conecte el equipo a un enchufe de un circuito diferente al que esté conectado el receptor.
- Consulte al distribuidor o a un técnico experimentado de radio y TV para obtener ayuda.

Cualesquiera cambios o modificaciones no aprobados expresamente por la parte responsable del cumplimiento podrían anular la capacidad del usuario para operar el equipo.

Este dispositivo cumple con la Parte 15 de las Reglas de la FCC. El funcionamiento está sujeto a las siguientes dos condiciones:

- (1) Este dispositivo no puede causar interferencia perjudicial, y
- (2) Este dispositivo debe aceptar cualquier interferencia recibida, incluyendo aquellas interferencias que puedan provocar un funcionamiento no deseado.

Declaración de exposición a RF de FCC:

Este equipo cumple con los límites de exposición a la radiación de la FCC establecidos para un ambiente no controlado. Este transmisor no debe colocarse en forma conjunta ni operarse junto con cualquier otro transmisor o antena.

Precaución de ISEDC:

Este dispositivo cumple con los estándares de exención de licencia RSS de Innovation, Science, and Economic Development Canada. La operación está sujeta a las siguientes dos condiciones:

- (1) Este dispositivo no causa interferencias nocivas y
- (2) Este dispositivo debe aceptar cualquier interferencia recibida, incluyendo aquellas interferencias que puedan provocar una operación no deseada del dispositivo.

Evaluación de ISEDC RF:

El dispositivo cumple con los lineamientos de exposición de RF; los usuarios pueden obtener información canadiense sobre la exposición a RF y su cumplimiento.

GARANTÍA LIMITADA DE UN AÑO – EUA y CANADÁ

GARANTÍA PARA EUA Y CANADÁ

JAM garantiza que este producto está libre de defectos de materiales y mano de obra por un período de un año a partir de la fecha de compra. Esta garantía no cubre los daños causados por mal uso o abuso, accidentes, el utilizarlo con cualquier accesorio no autorizado, alteración del producto, o cualquier otra condición que esté fuera del control de JAM.

Para conocer las instrucciones e información detallada sobre la garantía, visite: www.jamaudio.com/customer-support/warranty-1yr. Para obtener el servicio de garantía en su producto JAM, comuníquese con un Representante de Relaciones con el Cliente al número de teléfono o a la dirección de correo electrónico de su

país de residencia. Asegúrese de tener a la mano el número de modelo del producto.

Para servicio en EUA:

Correo electrónico:
cservice@jamaudio.com
Tel: 1-888-802-0040
8:30 a.m. a 7:00 p.m., hora del Este, de lunes a viernes

Para servicio en Canadá:

Correo electrónico:
cservice@homedicsgroup.ca
Tel: 1-888-225-7378
8:30 a.m. a 5:00 p.m., hora del Este, de lunes a viernes

GARANTÍA PARA REINO UNIDO Y EUROPA

JAM garantiza que este producto está libre de defectos de materiales y mano de obra por un período de dos años a partir de la fecha de compra. Esta garantía no cubre los daños causados por mal uso o abuso, accidentes, el utilizarlo con cualquier accesorio no autorizado, alteración del producto, o cualquier otra condición que esté fuera del control de JAM. Distribuido en la Unión Europea por FKA Brands Ltd, Somerhill Business Park, Tonbridge, TN11 0GP, UK. Email: support.row@fkabrands.com.

INSTRUCCIONES IMPORTANTES DE SEGURIDAD

LEA TODAS LAS INSTRUCCIONES ANTES DE USARLO.

ADVERTENCIA: Escuche responsablemente. Para evitar daños auditivos, asegúrese de que el volumen del dispositivo esté en el nivel más bajo antes de conectar los audífonos. Después de colocar los audífonos en sus oídos, aumente gradualmente el volumen hasta que alcance un volumen de audición confortable.

- Utilice este producto solo para el uso previsto que se describe en este manual. No utilice aditamentos no recomendados por Jam.
- Jam no es responsable de ningún daño causado a teléfonos inteligentes, a reproductores iPod/MP3, ni a ningún otro dispositivo.
- No ponga ni guarde este producto donde puedan caerse o ser empujado a una bañera o a un lavabo.
- No lo ponga ni lo deje caer en agua o en otros líquidos.
- No debe ser utilizado por niños. ESTE NO ES UN JUGUETE.
- Nunca opere este producto si el cable, el enchufe, o la carcasa están dañados.
- Manténgalo alejado de superficies calientes.
- Colóquelo sólo sobre superficies secas. No lo coloque en una superficie mojada con agua o solventes de limpieza.

ADVERTENCIA: Este producto tiene una batería interna de litio no reemplazable. Por favor deséchela de acuerdo con las pautas locales, estatales, provinciales y nacionales. Las baterías (paquete de batería o baterías instaladas) no deberán exponerse al calor excesivo como la luz solar, el fuego o similares.

REEMPLAZO DE LA BATERÍA

Sus auriculares incluyen una batería recargable diseñada para durar toda la vida útil del producto. En el caso poco probable de que necesite una batería de reemplazo, contacte a Servicios para el Consumidor, donde le darán los detalles del servicio de reemplazo de la batería con dentro de la garantía y fuera de ella. Este producto contiene piezas pequeñas que pueden presentar un peligro ahogamiento para los niños pequeños.

PRECAUCIÓN: Todo el mantenimiento a este producto debe ser realizado únicamente por personal de servicio autorizado por Jam Audio. Para ver la guía del usuario completa y para registrar su producto, visite www.jamaudio.com (EE. UU.), o canada.jamaudio.com.

com (Canadá), o uk.jamaudio.com/instructionbooks
(Reino Unido).



Para prevenir un posible daño en la audición, no escuche a un alto volumen por periodos prolongados.



EXPLICACIÓN SOBRE RESIDUOS DE APARATOS ELÉCTRICOS Y ELECTRÓNICOS

Esta marca indica que el producto no debe desecharse con otros residuos domésticos en la Unión Europea. Para evitar posibles daños al medio ambiente o a la salud humana debidos a la eliminación incontrolada de desechos, recicle el aparato de manera responsable para fomentar la reutilización sostenible de los recursos materiales.



DIRECTRIZ DE LA BATERÍA

Este símbolo indica que las baterías no deben desecharse junto a la basura doméstica, ya que contienen sustancias que pueden ser dañinas para el medio ambiente y para la salud. Deseche las baterías en los puntos de recolección designados.

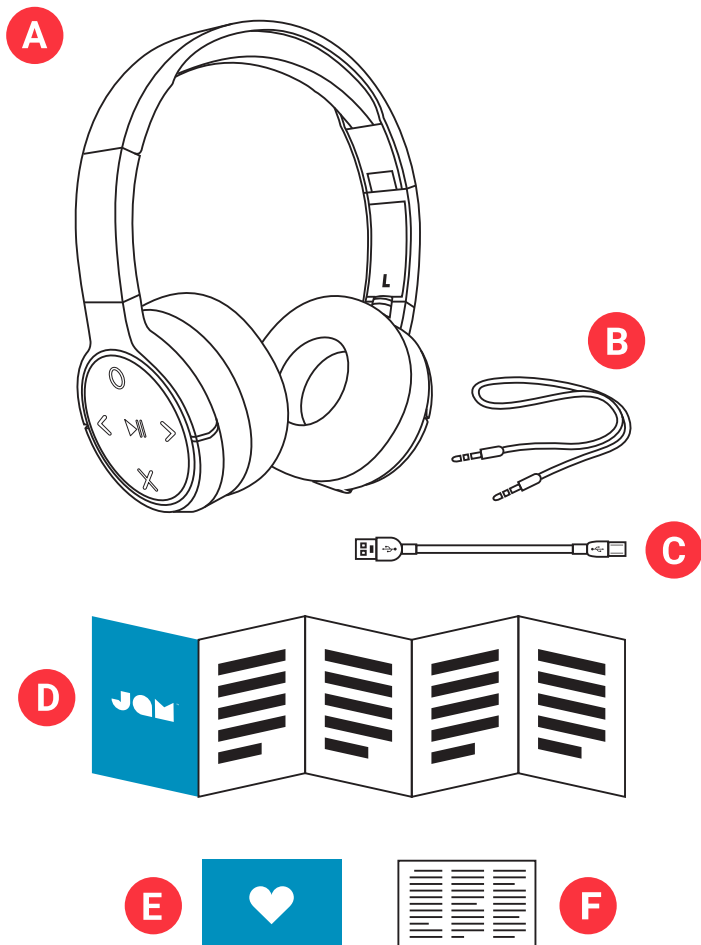
Por medio del presente, FKA Brands Ltd, declara que este dispositivo de radio cumple con los requerimientos esenciales y otras disposiciones relevantes de la Directriz 2014/53/EU. Puede obtener una copia de la Declaración de Conformidad en uk.jamaudio.com/DoC.



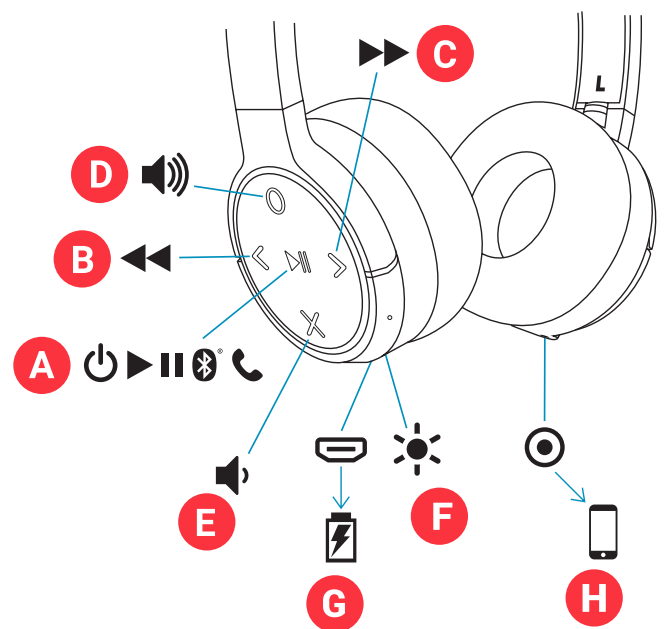
ALREADY THERE

HX-HP101
Bedienungsanleitung

INHALT



BEDIENELEMENTE



- A – Kopfhörer
- B – Aux-Kabel
- C – USB-Ladekabel
- D – Kurzanleitung
- E – Willkommenskarte
- F – Rechtshinweise

- A – Einschalt-/Ausschalttaste/
Wiedergabe/Pause-Taste
- B – Vorheriger Titel
- C – Nächster Titel
- B – Lautstärke lauter
- C – Lautstärke leiser
- F – LED-Leuchtenanzeige
- G – Ladeanschluss
- H – Aux-in-Anschluss

EINRICHTUNG

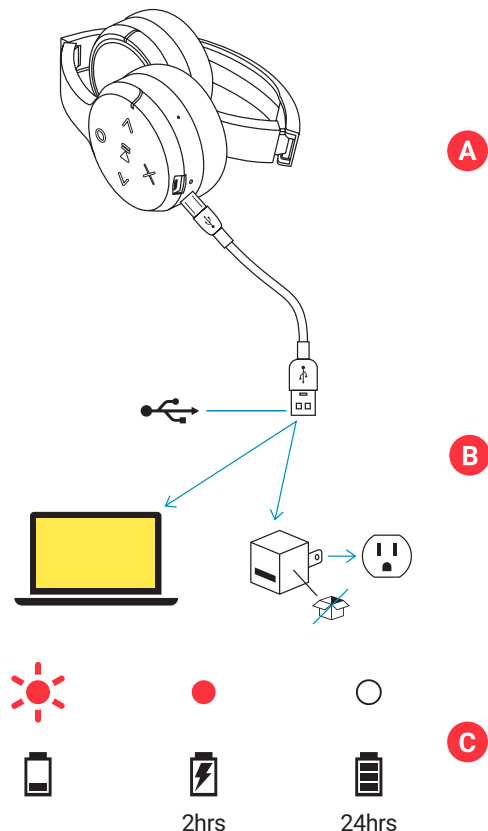
LADEN IHRER KOPFHÖRER

Eine wiederaufladbare Batterie versorgt die „Already There“-Kopfhörer mit Strom. Die Kopfhörer wird aufgeladen geliefert. Für eine optimale Spieldauer sollte sie jedoch vor dem ersten Gebrauch geladen werden.

A – Das Ladekabel auspacken und das Micro-USB-Kabel in den Ladeanschluss der Kopfhörer stecken.

B – Den größeren USB-Stecker in Ihren Rechner oder einen mit Strom versorgten USB-AC-Adapter stecken. Der AC-Adapter ist nicht im Lieferumfang enthalten. Sie können den Adapter für Ihr Handy benutzen oder bei Ihrem nächsten Besuch im Laden kaufen.

C – Wenn die LED rot blinkt, ist die Batterie fast leer und sie muss aufgeladen werden. Laden Sie sie ca. 2 Stunden für ca. 24 Stunden Spielzeit. Während des Aufladens leuchtet die Leuchte konstant rot. Nach Aufladen der Batterie wird die LED ausgeschaltet.



GEBRAUCH

A – EINSCHALTEN IHRER KOPFHÖRER

Die „wiedergabe/pause“-Taste 3 Sekunden lang drücken, um Ihre Kopfhörer einzuschalten.

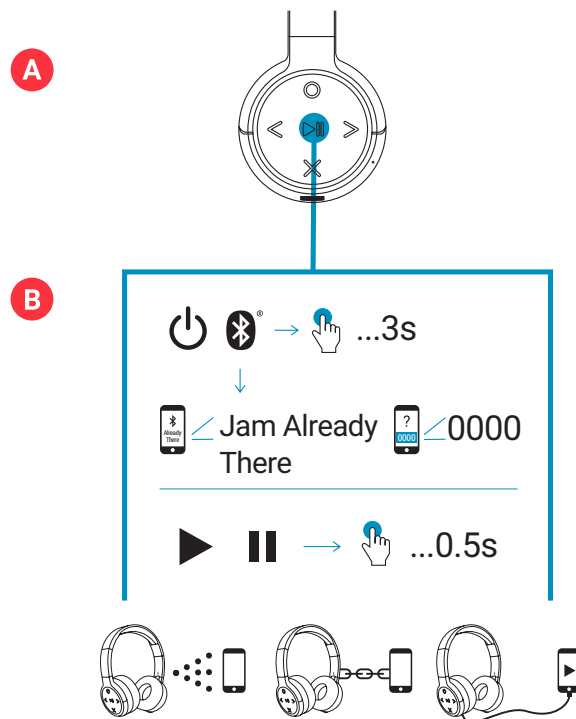
B – ANSCHLIESSEN AN EIN GERÄT

Nach dem Einschalten suchen die Kopfhörer nach einem Gerät, um mit diesem Verbindung aufzunehmen. Die LED blinkt abwechseln rot und blau. Aktivieren Sie Bluetooth® auf Ihrem Gerät. Rufen Sie im Bluetooth®-Menü „Jam Already There“ auf. Wenn das Gerät und Already There verbunden sind, ertönt ein Ton und die LED leuchtet konstant blau auf.

Nach Abschluss des Pairing-Vorgangs finden sich Ihr Gerät und die Kopfhörer jederzeit wieder, wenn die Bluetooth®-Funktion Ihrer Geräts aktiviert ist. Beim Verbinden mit einem Rechner sind unter Umständen seitens des Rechners weitere Schritte zu unternehmen. Bitten Sie den Rechner-Hersteller um diesbezügliche Informationen.

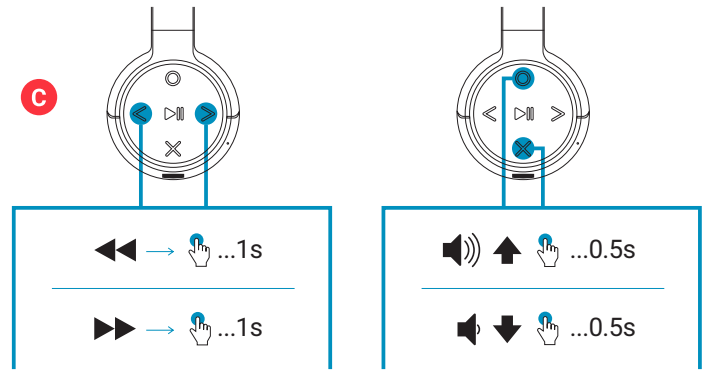
Unter Umständen werden Sie zur Eingabe eines Pairing-Codes aufgefordert. Diesem Fall verwenden Sie bitte den Code „0000“. Wenn sowohl die „<-“- als auch die „>-Taste gleichzeitig 3 Sekunden lang gedrückt werden, wird die Verbindung mit dem gekoppelten Gerät unterbrochen.

Sie können Ihr Gerät auch mit Hilfe eines Aux-Kabels, das im Lieferumfang enthalten ist, mit Already There verbinden. Nach dem Einstecken leuchtet die Leuchte konstant rot.



C – TASTENFUNKTION

Die „wiedergabe/pause“-Taste kurz 0,5 Sekunden lang drücken, um Ihre Musik wiederzugeben. Zum Erhöhen der Lautstärke die „O“-Taste kurz drücken. Zum Verringern der Lautstärke die „X“-Taste kurz drücken. Die „>“-Taste länger drücken, um zum nächsten Titel zu gelangen. Die „<“-Taste länger drücken, um zum vorherigen Titel zu gelangen.



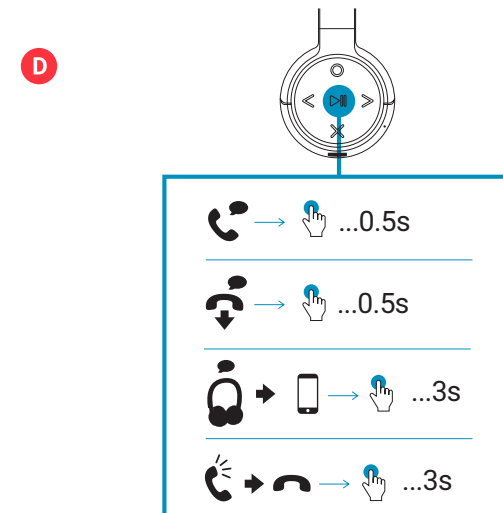
D – ANRUFBEARBEITUNG

Die „wiedergabe/pause“-Taste kurz drücken, um einen Anruf anzunehmen, während Sie Musik hören. Nach Beenden des Anrufs, nochmals kurz drücken, um aufzulegen.

Die „wiedergabe/pause“-Taste länger drücken, um einen Anruf privat anzunehmen. Jetzt hören Sie den Anruf auf Ihrem Telefon und nicht durch die Kopfhörer.

Falls Sie einen eingehenden Anruf nicht annehmen möchten, die „wiedergabe/pause“-Taste länger drücken, um den Anruf an den Anrufbeantworter zu verweisen.

*Siehe die folgenden Tabellen für alle Tastenfunktionen und zum Interpretieren der LED-Anzeigen.



LED-ANZEIGEN

LADEN

Rotes Blinken alle 5 Sekunden	Batterie ist fast leer
Konstantes Rot	Aufladen
LED Aus	Ladevorgang abgeschlossen

IM GEBRAUCH

Blaues und rotes Blinken	Pairing-Modus
Blaues Blinken alle 5 Sekunden	Verbunden mit dem Gerät

GRUNDFUNKTIONEN

EIN-/AUSSCHALTEN

Ein-/Ausschalten	Die wiedergabe/pause-Taste länger drücken
------------------	---

MUSIK

Wiedergabe/pause	Die wiedergabe/pause-Taste kurz drücken
Lautstärke lauter	Die O-Taste kurz drücken
Lautstärke leiser	Die X-Taste kurz drücken
Zum nächsten Titel	Die >-Taste länger drücken
Zum vorherigen Titel	Die <-Taste länger drücken

ANRUF

Einen Anruf annehmen	Die wiedergabe/pause-Taste kurz drücken
Einen Anruf ablehnen	Die wiedergabe/pause-Taste länger drücken
Einen Anruf beenden	Die wiedergabe/pause-Taste kurz drücken
Einen zweiten Anruf annehmen	Die wiedergabe/pause-Taste kurz drücken
Einen zweiten Anruf ablehnen	Die wiedergabe/pause-Taste länger drücken
Anruf auf Ihrem Gerät und nicht durch die Kopfhörer hören	Die wiedergabe/pause-Taste länger drücken

RECHTLICHE INFORMATIONEN

VOR DEM GEBRAUCH ALLE GEBRAUCHSANLEITUNGEN LESEN. DIESE ANLEITUNGEN FÜR DIE ZUKÜNFTIGE BEZUGNAHME AUFBEWAHREN.

GARANTIE – GROSSBRITANNIEN UND EUROPA

JAM garantiert für zwei Jahre ab Kaufdatum, dass dieses Produkt frei von Material- und Verarbeitungsfehlern ist. Diese Garantie gilt nicht für Schäden bedingt durch Missbrauch oder falsche Anwendung, Unfall, Anbringen eines unzulässigen Zubehörs, Veränderungen am Produkt oder alle anderen Bedingungen, die sich der Kontrolle von JAM entziehen. Vertreter in der EU: FKA Ltd, Somerhill Business Park, Tonbridge, TN11 0GP, UK. E-Mail: support@jamaudio.de.



BATTERIERICHTLINIE

Dieses Symbol bedeutet, dass Batterien nicht mit dem Hausmüll entsorgt werden dürfen, da sie umwelt- und gesundheitsschädliche Substanzen enthalten. Die Batterien bitte an ausgezeichneten Sammelstellen entsorgen.

Hiermit erklärt FKA Brands Ltd, dass dieses Radiogerät den wichtigen Anforderungen und anderen relevanten Vorschriften der Direktive 2014/53/EU entspricht. Eine Kopie der Konformitätserklärung ist unter uk.jamaudio.com/DoC erhältlich.

WICHTIGE SICHERHEITSHINWEISE

VOR DEM GEBRAUCH ALLE ANLEITUNGEN LESEN

ACHTUNG: Lassen Sie beim Hören Vernunft walten. Vor dem Anschließen der Kopfhörer auf jeden Fall die Lautstärke Ihres Geräts runterdrehen, um Hörschäden zu vermeiden. Nach dem Aufsetzen der Kopfhörer die Lautstärke langsam aufdrehen, bis die Lautstärke für Sie angenehm ist.

- Benutzen Sie dieses Produkt nur für den beabsichtigten Zweck gemäß Beschreibung in diesem Handbuch. Verwenden Sie kein Zubehör, das nicht vom Jam empfohlen wird.
- Jam haftet nicht für Schäden an Smartphones, iPod-/MP3-Player oder anderen Geräten.
- Dieses Produkt nicht auf Oberflächen legen oder lagern, von denen es in eine Wanne oder ein Waschbecken fallen kann.
- Das Gerät nicht in Wasser oder andere Flüssigkeiten legen oder fallen lassen.
- Nicht für Kinder geeignet. DIESES PRODUKT IST KEIN SPIELZEUG.
- Das Produkt darf nicht mit einer beschädigten Schnur, Stecker, Kabel oder Gehäuse betrieben werden.
- Von erwärmten Oberflächen fernhalten.
- Nur auf trockene Oberflächen legen. Nicht auf mit Wasser oder Reinigungslösungen benetzte Flächen legen.

ACHTUNG: In diesem Produkt befindet sich eine interne, nicht austauschbare Lithiumbatterie. Bei der Entsorgung bitte die örtlichen, Landes- und/oder Bundesvorschriften beachten. Batterien (Akkupack oder installierte Batterien) dürfen nicht extremer Hitze wie Sonneneinstrahlung, Feuer o.ä. ausgesetzt werden.

BATTERIEAUSTAUSCH

Ihre Kopfhörer werden mit einer wiederaufladbaren Batterie geliefert, die während der gesamten Lebensdauer des Produkts halten soll. In dem unwahrscheinlichen Fall, dass Sie eine Ersatzbatterie benötigen, wenden Sie sich bitte an den Kundendienst für Informationen zur Garantie und Ersatzbatterieservice außerhalb der Garantie. Dieses Produkt enthält Kleinteile, an denen Kleinkinder ersticken können.

VORSICHT: Alle Servicearbeiten an diesem Produkt dürfen nur von autorisierten Jam Audio-Wartungsfachleuten durchgeführt werden. Für einen vollständigen Benutzerleitfaden und zum Registrieren Ihres Produkts besuchen Sie bitte www.jamaudio.com (USA) oder canada.jamaudio.com (Kanada) oder uk.jamaudio.com/instructionbooks (UK).



Bitte vermeiden Sie das Hören von Musik bei hoher Lautstärke über längere Zeiträume, um mögliche Gehörschäden zu vermeiden.



WEEE-Erklärung

Diese Kennzeichnung bedeutet, dass dieses Produkt in der EU nicht mit anderem Haushaltsmüll entsorgt werden sollte. Das Gerät muss ordnungsgemäß entsorgt werden, um die umweltverträgliche Wiederverwendung von Materialressourcen zu fördern und eventuelle Umweltschäden oder eine gesundheitliche Beeinträchtigung von Menschen auf Grund von unkontrollierter Abfallentsorgung zu vermeiden.

Alle Rechte vorbehalten.
IB-HXHP101

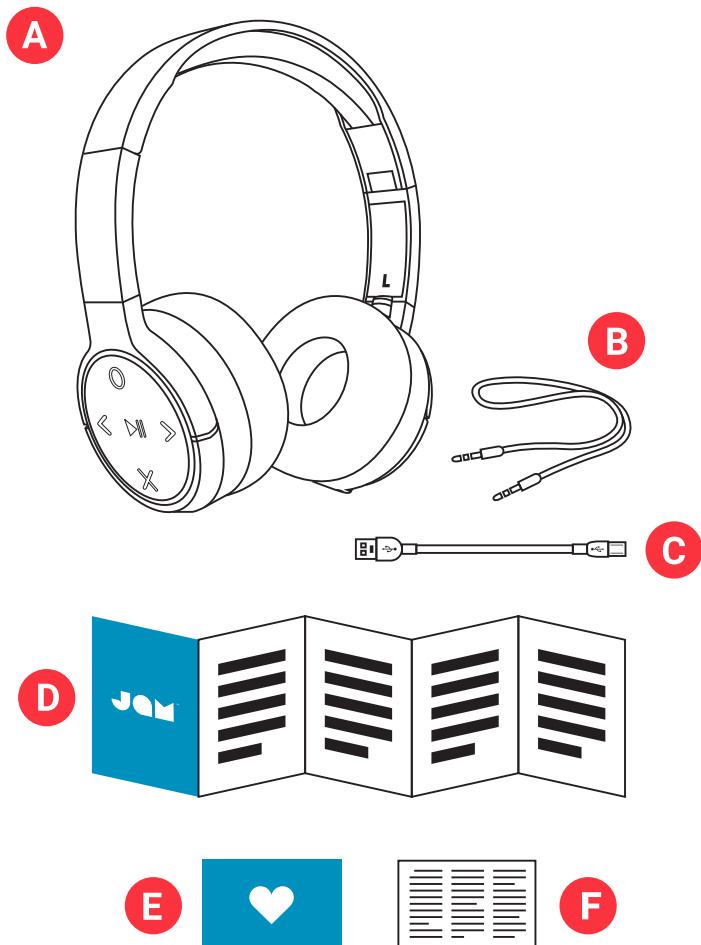


ALREADY THERE

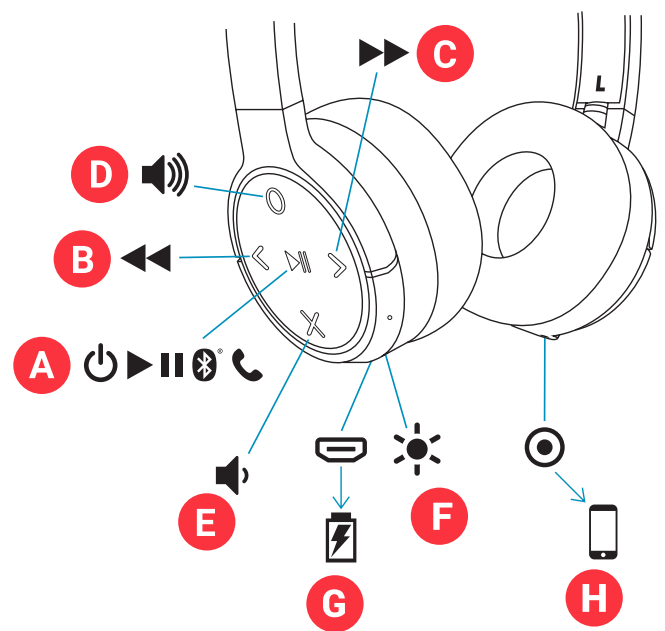
HX-HP101

Gebruiksaanwijzing

INHOUD



BEDIENING



- A – Hoofdtelefoons
- B – AUX-kabel
- C – USB-oplaadkabel
- D – Snelstartgids
- E – Welkomstkaart
- F – Juridische kaart

- A – Aan/Uit, Play/Pauze-knop
- B – Vorig nummer
- C – Volgend nummer
- D – Volume omhoog
- E – Volume omlaag
- F – LED indicatielampje
- G – Oplaadpoort
- H – AUX IN-poort

INSTELLEN

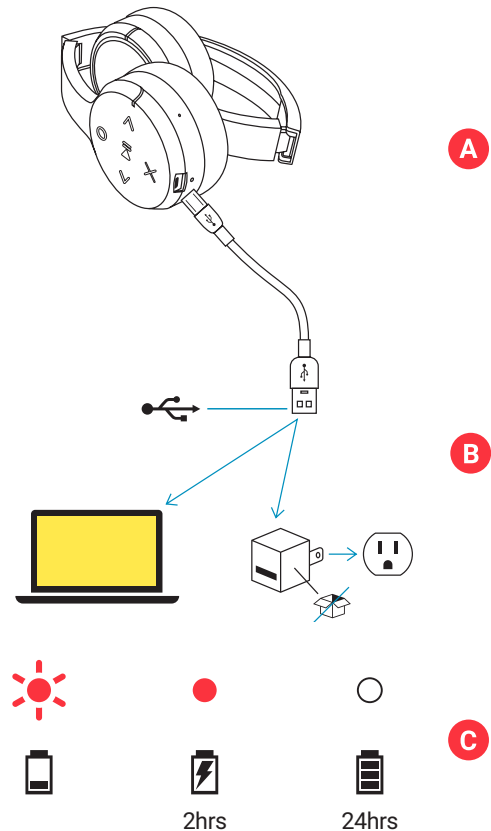
OPLADEN VAN UW HOOFDTELEFOONS

De "Already There" hoofdtelefoons worden gevoed door een oplaadbare batterij. De hoofdtelefoons worden geladen geleverd, zorg er echter voor om voorafgaande aan het eerste gebruik op te laden voor een optimale speeltijd.

A – De oplaadkabel uitpakken en het micro-USB-uiteinde aansluiten op de laadpoort van de hoofdtelefoons.

B – De grotere USB-stekker aansluiten op uw computer of een actieve USB AC-adapter. De AC-adapter is niet meegeleverd in de verpakking, maar u kunt wel die van uw mobiele telefoon gebruiken of er een kopen de volgende keer dat u in de winkel bent.

C – Als de LED rood knippert, betekent dit dat de batterij bijna leeg is en dan is het tijd om aan te sluiten en op te laden. Laad voor ongeveer 2 uur om tot 24 uur speeltijd te krijgen; tijdens het opladen blijft het lampje ononderbroken rood. Zodra volledig opgeladen, gaat het LED-lampje uit.



GEBRUIK

A – UW HOOFDTELEFOONS INSCHAKELEN

Lang drukken op de knop "play/pauze" gedurende 3 seconden om uw hoofdtelefoons in te schakelen.

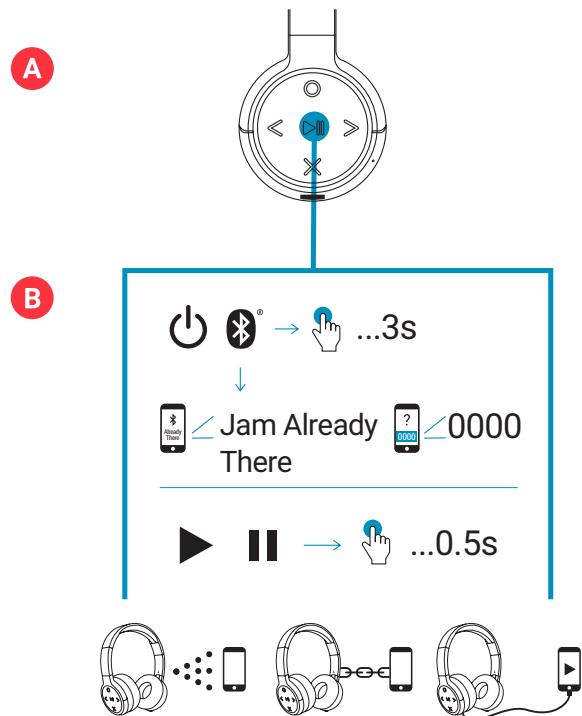
B – VERBINDEN MET EEN APPARAAT

Eenmaal ingeschakeld, zoeken de hoofdtelefoons onmiddellijk naar een apparaat om mee te koppelen; de LED knippert afwisselend rood en blauw. Activeer Bluetooth® op uw apparaat. Selecteer "Jam Already There" vanuit het Bluetooth®-menu. Wanneer het apparaat en Already There zijn verbonden, hoort u een toon en gaat het LED-lampje onderbroken blauw branden.

Wanneer eenmaal gekoppeld, zullen is uw apparaat en hoofdtelefoons elkaar elke keer vinden, zolang de Bluetooth® van uw apparaat is ingeschakeld. Als u verbinding maakt met een computer, zult u mogelijk daartoe nog enkele stappen moeten verrichten. Die informatie dient u te krijgen van het computerbedrijf.

Afhankelijk van uw apparaat, kunt u worden gevraagd om een koppelcode in te voeren. Als dat zo is, gebruik dan "0000" als de code. De "<" en ">" knoppen tegelijkertijd ingedrukt houden gedurende 3 seconden zal een gekoppeld apparaat loskoppelen.

U kunt uw toestel ook verbinden met Already There met een AUX-kabel die is meegeleverd. Wanneer deze is aangesloten, gaat het lampje ononderbroken rood branden.



C – KNOPFUNCTIE

Druk kort op de knop “play/pauze” gedurende 0,5 seconden om uw muziek af te spelen. Als u het volume wilt verhogen, druk kort op de knop “O”, om het volume te verlagen, druk kort op de knop “X”. Om een nummer vooruit te springen, lang drukken op de knop “>”; om een nummer achteruit springen, lang drukken op de knop “<”.

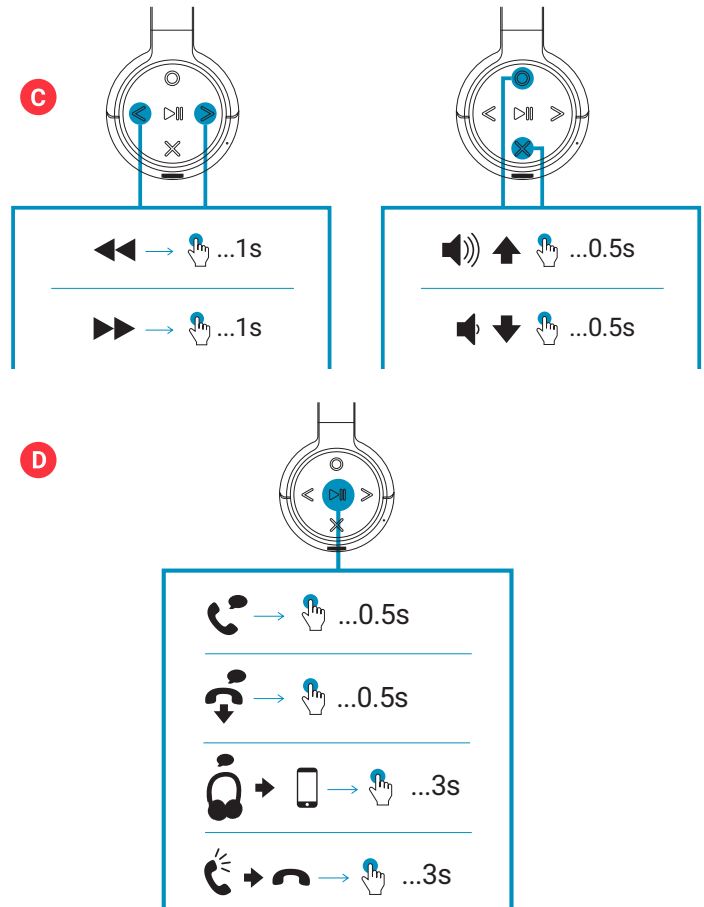
D – GESPREKSAFHANDELING

Terwijl u aan het rocken bent naar uw muziek en een oproep binnenkomt, drukt u kort op de knop “play/pauze” om een oproep op te nemen; druk opnieuw kort wanneer u klaar bent, om op te hangen.

Als een oproep privé wilt maken terwijl u in gesprek bent, drukt u lang op de knop “play/pauze” om de oproep van de hoofdtelefoons naar uw telefoon te verplaatsten.

Als een oproep binnenkomt en u wilt het niet opnemen, drukt u lang op de knop “play/pauze” om de oproep naar de voicemail te zenden.

*Zie de onderstaande tabellen voor de volledige interpretatie van de knopfunctie en het LED indicatielampje.



LED-INDICATOREN

OPLADEN

Rood lampje knippert elke 5 seconden	batterij is bijna leeg
Ononderbroken rood	Opladen
LED Uit	Opladen voltooid

IN GEBRUIK

Blauw en rood lampje knipperen	Koppelmodus
Blauw lampje knippert elke 5 seconden	Met apparaat gekoppeld

BASISFUNCTIES

STROOM

Aan-/Uitzetten	Lang drukken op play/pauze-knop
----------------	---------------------------------

MUZIEK

Play/Pauze	Kort drukken op play/pauze-knop
Volume omhoog	Korte druk op knop O
Volume omlaag	Korte druk op knop X
Een nummer vooruitspringen	Lang druk op knop >
Een nummer achteruitspringen	Lang druk op knop <

OPROEPEN

Een oproep beantwoorden	Kort drukken op play/pauze-knop
Een oproep weigeren	Lang drukken op play/pauze-knop
Een oproep beëindigen	Kort drukken op play/pauze-knop
Een tweede inkomende oproep opnemen	Kort drukken op play/pauze-knop
Een tweede inkomend oproep weigeren	Lang drukken op play/pauze-knop
Oproep verplaatsen van hoofdtelefoons naar apparaat	Lang drukken op play/pauze-knop

JURIDISCHE INFORMATIE

LEES ALLE INSTRUCTIES VOORDAT U HET APPARAAT GAAT GEBRUIKEN EN BEWAAR DEZE INSTRUCTIES ZODAT U ZE LATER KUNT RAADPLEGEN.

GARANTIE - VK & EUROPE

JAM garandeert dat dit product vrij is van defecten in materiaal en uitvoering gedurende een periode van 2 jaar vanaf de datum van aankoop. Deze garantie dekt geen schade veroorzaakt door verkeerd gebruik of misbruik; ongeval; de bevestiging van alle ongeoorloofde accessoires; wijziging aan het product; of enige andere condities buiten de controle van JAM. Gedistribueerd in de EU door FKA Brands Ltd, Somerhill Business Park, Tonbridge, TN11 0GP, UK. Email: support.row@fkabrands.com.

BELANGRIJKE VEILIGHEIDS VOORSCHRIFTEN

LEES ALLE INSTRUCTIES VOOR GEBRUIK

WAARSCHUWING: Luisteren op een verantwoorde manier. Om gehoorbeschadiging te voorkomen, controleer of het volume op uw toestel is uitgeschakeld voordat u de hoofdtelefoon aansluiten. Na het plaatsen van de hoofdtelefoon op uw oren, geleidelijk het volume omhoog draaien tot u een comfortabele luistervolume bereikt.

- Gebruik dit product uitsluitend voor het beoogde doel zoals beschreven in deze handleiding. Gebruik geen accessoires die niet worden aanbevolen door Jam.
- Jam is niet aansprakelijk voor eventuele schade aan smartphones, iPod/MP3-speler of om het even welke ander apparaten.
- Plaats of bewaar dit product niet waar het kan vallen of worden gegooid in een badkuip of gootsteen.
- Plaats of laat het niet vallen in water of een andere vloeistof.
- Niet geschikt voor gebruik door kinderen. DIT IS GEEN SPEELGOED.
- Gebruik dit product nooit als het snoer, de stekker, de kabel of de behuizing beschadigd is.
- Uit de buurt van verwarmde oppervlakken bewaren.
- Alleen op droge oppervlakken plaatsen. Niet op een oppervlak plaatsen dat nat is van water of schoonmaakmiddelen.

WAARSCHUWING: Dit product heeft een interne, niet-vervangbare lithium batterij. Gelieve weg te gooien in overeenstemming met uw lokale, provinciale en landelijke richtlijnen. Batterijen (accu of geïnstalleerde batterijen) mogen niet worden blootgesteld aan hoge temperaturen die worden veroorzaakt door zonlicht, vuur en dergelijke.

BATTERIJ VERVANGING

Uw hoofdtelefoons is inclusief een oplaadbare batterij die speciaal is ontworpen voor de levensduur van het product. In het onwaarschijnlijke geval dat u een vervangende batterij nodig heeft, gelieve contact op te nemen met de Klantenservice, die u informatie zal verstrekken betreffende de garantie en de batterij service voor vervanging van batterijen waarvan de garantie verstreken is. Dit product bevat kleine onderdelen die verstikkingsgevaar kunnen veroorzaken bij jonge kinderen.

VOORZICHTIG: Alle onderhoud van dit product moet alleen worden uitgevoerd door geautoriseerd Jam Audio onderhoudspersoneel. Voor de volledige gebruikershandleiding en om uw product te registreren, ga naar www.jamaudio.com (VU), of canada.jamaudio.com (Canada) of uk.jamaudio.com/instructionbooks (VK).



Ter voorkoming van mogelijke gehoorschade niet luisteren met een hoog volume gedurende lange perioden.



AEEA UITLEG

Dit merkteken geeft aan dat dit product niet mag worden weggegooid met ander huishoudelijk afval in de gehele EU. Ter voorkoming van mogelijke schade aan het milieu of de menselijke gezondheid door ongecontroleerde afvalverwijdering, dient u deze verantwoordelijk te recyclen voor de bevordering van het duurzaam hergebruik van materiële middelen.



BATTERIJRICHTLIJN

Dit symbool geeft aan dat batterijen niet mogen worden weggegooid met het huishoudelijk afval als zij stoffen bevatten die schadelijk kunnen zijn voor het milieu en de gezondheid. De batterijen a.u.b. weggoeien in de daarvoor bestemde verzamelpunten.

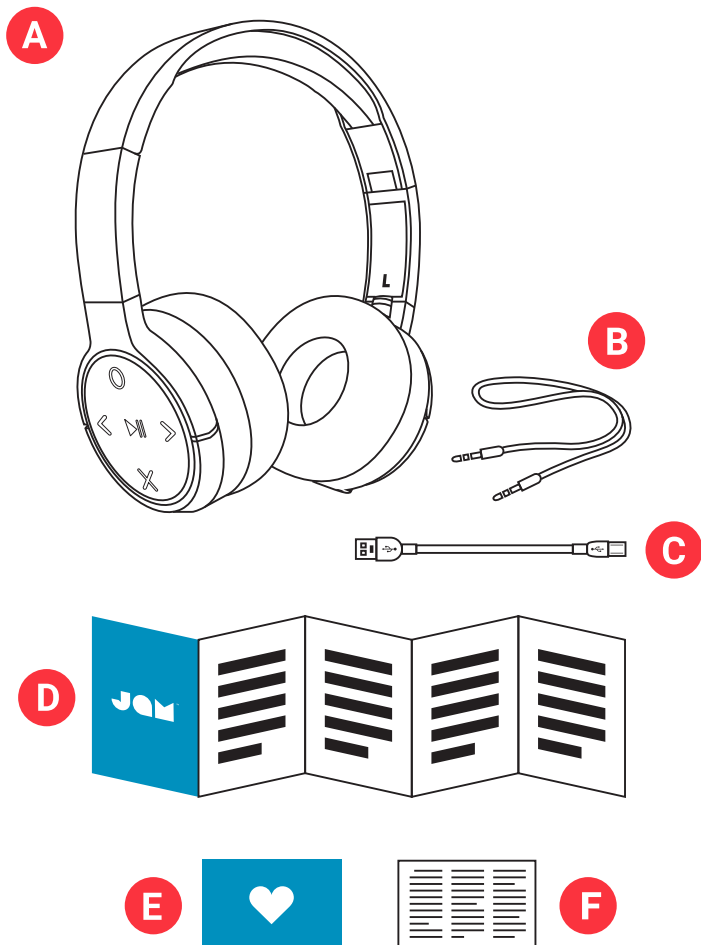
Hierbij verklaart FKA Brands Ltd, dat dit radio-apparaat voldoet aan de essentiële vereisten en andere relevante bepalingen van Richtlijn 2014/53/EG. Een afschrift van de Conformiteitsverklaring kan worden verkregen bij uk.jamaudio.com/DoC.



ALREADY THERE

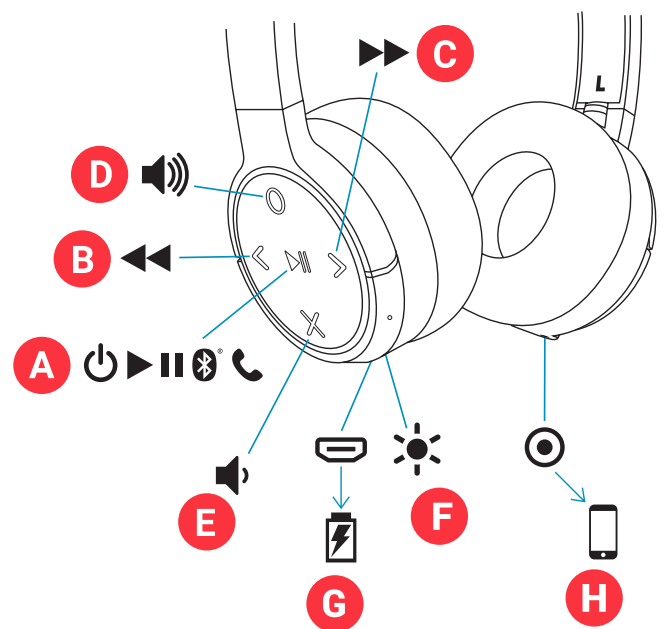
HX-HP101
Instruktionsbog

INDHOLD



- A – Hovedtelefoner
- B – Aux-kabel
- C – USB-kabel
- D – Startvejledning
- E – Velkomstmeddelelse
- F – Juridisk meddelelse

BETJENINGSKONTROLLER



- A – Tænd/sluk-knappen/afspil/pause-knappen
- B – Forrige nummer
- C – Næste nummer
- D – Lydstyrke op
- E – Lydstyrke ned
- F – Lysdiodeindikator
- G – Opladningsport
- H – Aux-in port

INSTALLATION

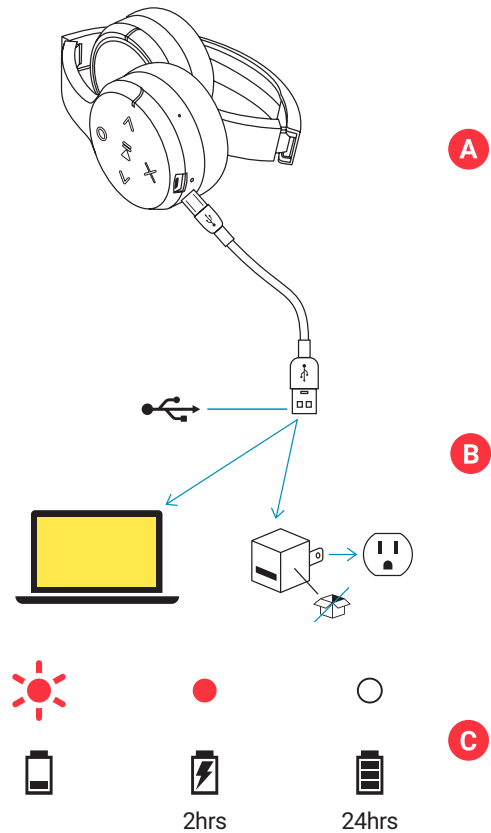
OPLADNING AF DINE HOVEDTELEFONER

“Already There”-hovedtelefoner drives af et genopladeligt batteri. Hovedtelefonerne leveres forudopladet; men af hensyn til optimal afspilningstid skal du oplade den inden første brug.

A – Pak opladningskablet ud og sæt mikro-USB-enden ind i opladningsporten på hovedtelefonerne.

B – Slut det største USB-stik til din computer eller en eldrevet USB-vekselstrømsadapter. En vekselstrømsadapter er ikke inkluderet i æsken, men du kan bruge den, der bruges til din mobiltelefon eller hente en, næste gang du er i butikken.

C – Når lysdioden blinker rødt, indikerer den, at batteriet er lavt, og at det er tid at tilslutte og genoplade. Oplad i ca. 2 timer for at få op til 24 timers spilletid; under opladningen forbliver lyset rødt. Når den er fuldt opladet, slukkes lyset.



BRUG

A – TÆND DINE HOVEDTELEFONER

Langsomt tryk på knappen “afspil/pause” i 3 sekunder tænder dine hovedtelefoner.

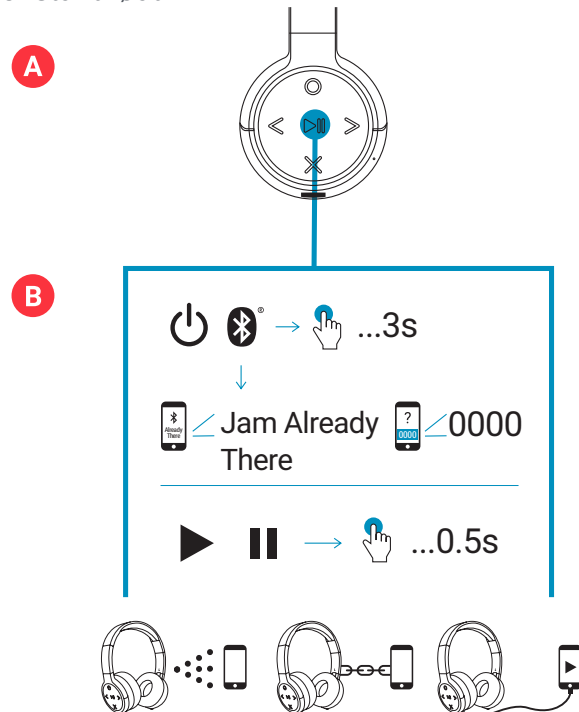
B – TILSLUTNING AF EN ENHED

Når de er tændt, vil hovedtelefonerne straks søge efter en enhed, der skal parres til; lysdioden blinker skiftevist rødt og blåt. Aktivér Bluetooth® på din enhed. Vælg “Jam Already There” i menuen Bluetooth®. Når enheden og Already There er tilsluttet, hører du en tone, og lysdioden bliver konstant blå.

Når de er parret, vil din enhed og hovedtelefonerne finde hinanden hver gang, så længe din enheds Bluetooth® er tændt. Hvis du forbinder til en computer, vil du muligvis få nogle flere trin i den ende. Du bliver nødt til at få disse oplysninger fra computerfirmaet.

Afhængigt af din enhed bliver du måske bedt om at indtaste en parringskode. I så fald skal du bruge “0000” som kode. Ved at holde knapperne “<” og “>” nede samtidigt i 3 sekunder, afbrydes en parret enhed.

Du kan også forbinde din enhed til Already There ved hjælp af et aux-kabel, som leveres med produktet. Når den er tilsluttet, vil lyset blive konstant rødt.



C – KNAPFUNKTION

Tryk hurtigt på knappen "afspil/pause" i 0,5 sekunder for at afspille din musik. For at øge lydstyrken, skal du trykke hurtigt på knappen "O"; for at sænke lydstyrken, skal du trykke hurtigt på knappen "X". For at springe et musiknummer frem, skal du trykke langsomt på knappen ">"; for at springe et musiknummer tilbage, skal du trykke langsomt på knappen "<".

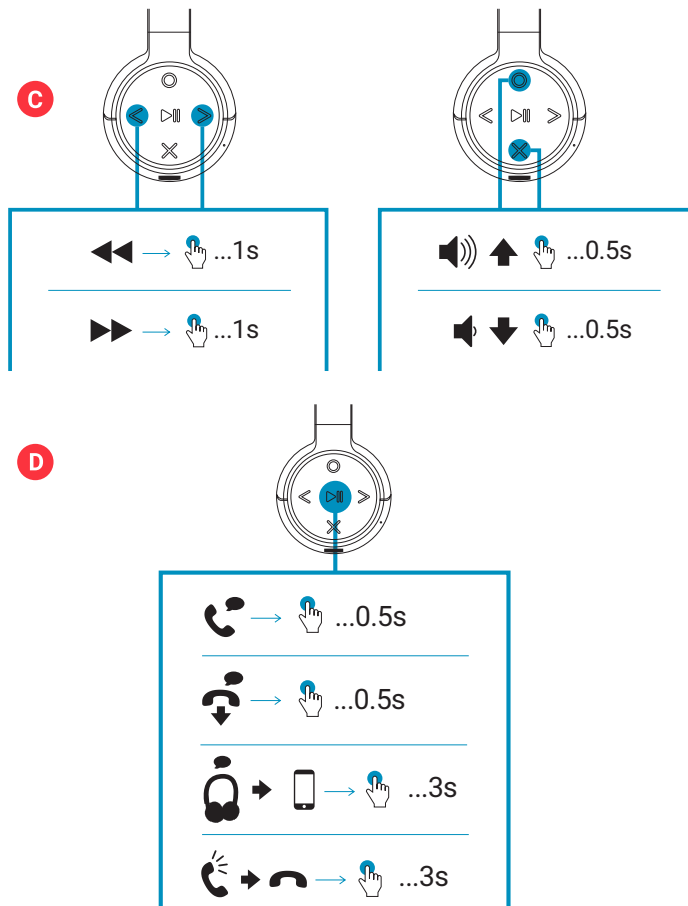
D – OPKALDSHÅNDTERING

Når du rokker og ruller til din musik, skal du trykke hurtigt på knappen "afspil/pause" for at hente et opkald, hvis et opkald kommer ind. Tryk hurtigt igen, når du er færdig, for at afslutte.

Under et opkald skal du, hvis du vil gøre det privat, trykke langsomt på knappen "afspil/pause" for at flytte opkaldet fra hovedtelefonerne til din telefon.

Hvis et opkald kommer ind, og du ikke vil hente det, skal du trykke langsomt på knappen "afspil/pause" for at sende opkaldet til voicemail.

*Se nedenstående tabeller for fuldstændig knapfunktion og fortolkning af lysdiodeindikatoren.



LYSDIODEINDIKATORER

OPLADER

Rødt blink hvert 5. sekund	Lavt batteri
Konstant rødt	Oplader
Lysdiode sluk	Opladning afsluttet

I BRUG

Blåt og rødt blink	Parringstilstand
Blåt blink hvert 5. sekund	Parret med enheden

GRUNDLÆGGENDE FUNKTIONER

TÆND/SLUK-KNAP

Tænd/sluk-knap	Langsomt tryk på knappen afspil/pause
----------------	---------------------------------------

MUSIK

Afspil/pause	Hurtigt tryk på knappen afspil/pause
Lydstyrke op	Kort tryk på knappen O
Lydstyrke ned	Kort tryk på knappen X
Spring et musiknummer frem	Langt tryk på knappen >
Spring et musiknummer tilbage	Langt tryk på knappen <

OPKALD

Besvar et opkald	Hurtigt tryk på knappen afspil/pause
Afvis et opkald	Langsomt tryk på knappen afspil/pause
Afslut et opkald	Hurtigt tryk på knappen afspil/pause
Besvar et andet indgående opkald	Hurtigt tryk på knappen afspil/pause
Afvis et andet indgående opkald	Langsomt tryk på knappen afspil/pause
Flyt aktivt opkald fra hovedtelefoner til enhed	Langsomt tryk på knappen afspil/pause

JURIDISKE OPLYSNINGER

LÆS DENNE BETJENINGSVEJLEDNING GRUNDIGT, OG GEM VEJLEDNINGEN TIL FREMTIDIG REFERENCE.

GARANTI - STORBRIANNIEN OG EUROPA

JAM garanterer, at dette produkt er frit for fejl i materiale og udførelse i en periode på 2 år fra købsdatoen. Denne garanti dækker ikke skader forårsaget af misbrug eller forkert brug, ulykker, tilslutning til uautoriseret tilbehør, ændring af produktet eller andre forhold, som ligger udenfor JAM's kontrol. Distribueret i EU af FKA Brands Ltd, Somerhill Business Park, Tonbridge, TN11 0GP, Storbritannien. Email: support.row@fkabrands.com.

VIGTIGE SIKKERHEDSINSTRUKSER

LÆS ALLE INSTRUKTIONER FØR BRUG

ADVARSEL: Lyt ansvarligt. Med henblik på at undgå høreskader skal du kontrollere, at der er skruet ned for lydstyrken på din enhed, inden du tilslutter hovedtelefoner. Når du har taget hovedtelefonerne på, skal du gradvist skrue op for lydstyrken, indtil du når en behagelig lydstyrke.

- Brug kun dette produkt til det tilsigtede formål som beskrevet i denne vejledning. Brug ikke tilbehør, der ikke anbefales af Jam.
- Jam er ikke ansvarlig for skader forårsaget af smartphones, iPod/MP3-afspillere eller andre enheder.
- Placer og opbevar ikke dette produkt, hvor det kan vælte eller falde ned i et bad eller en vask.
- Placer ikke i og tab ikke produktet i vand eller anden væske.
- Må ikke bruges af børn. DETTE ER IKKE ET LEGETØJ.
- Anvend aldrig dette produkt, hvis det har beskadiget ledning, stik, kabel eller kabinet.
- Placer ikke tæt på opvarmede overflader.
- Placer kun på tørre overflader. Placer ikke på overflader, som er våde med enten vand eller rengøringsmidler.

ADVARSEL: Dette produkt har et internt, ikke-udskefteligt litiumbatteri. Bortskaffes i overensstemmelse med lokale og nationale retningslinjer. Batterier (batteripakke eller installerede batterier) må ikke udsættes for høj varme fra direkte sollys, ild eller lignende.

UDSKIFTNING AF BATTERI

Dine hovedtelefoner har et genopladeligt batteri, der er designet til at vare hele produktets levetid. I det usandsynlige tilfælde at du får brug for at udskifte batteriet, skal du kontakte vores kundeservice, som vil give dig oplysninger om garantien og service uden for garantien. Dette produkt indeholder små dele, der kan udgøre en kvælningsfare for små børn.

FORSIGTIG: Al service af dette produkt må kun udføres af autoriseret servicepersonale hos Jam Audio. Du finder en fuldstændig brugervejledning, ligesom du kan registrere produktet ved at gå til www.jamaudio.com (USA) eller canada.jamaudio.com (Canada) eller uk.jamaudio.com/instructionbooks (Storbritannien).



Med henblik på at beskytte din hørelse bør du undgå at afspille lyd ved høj lydstyrke i længere perioder ad gangen.



WEEE-FORKLARING

Denne mærkning angiver, at dette produkt ikke må bortskaffes sammen med andet husholdningsaffald i hele EU. Genbrug produktet ansvarligt for at forhindre mulig skade på miljøet eller menneskers sundhed fra ukontrolleret bortskaffelse og for at fremme bæredygtig genbrug af materielle ressourcer.



DIREKTIV OM BATTERI

Dette symbol angiver, at batterier ikke må bortskaffes sammen med almindeligt husholdningsaffald, da de indeholder stoffer, der kan skade miljøet og helbredet. Bortskaf batterierne på angivne opsamlingssteder.

FKA Brands Ltd. erklærer hermed, at denne radioenhed er i overensstemmelse med de væsentlige krav og andre relevante bestemmelser i direktiv 2014/53/EU. En kopi af overensstemmelseserklæringen kan hentes fra uk.jamaudio.com/DoC.

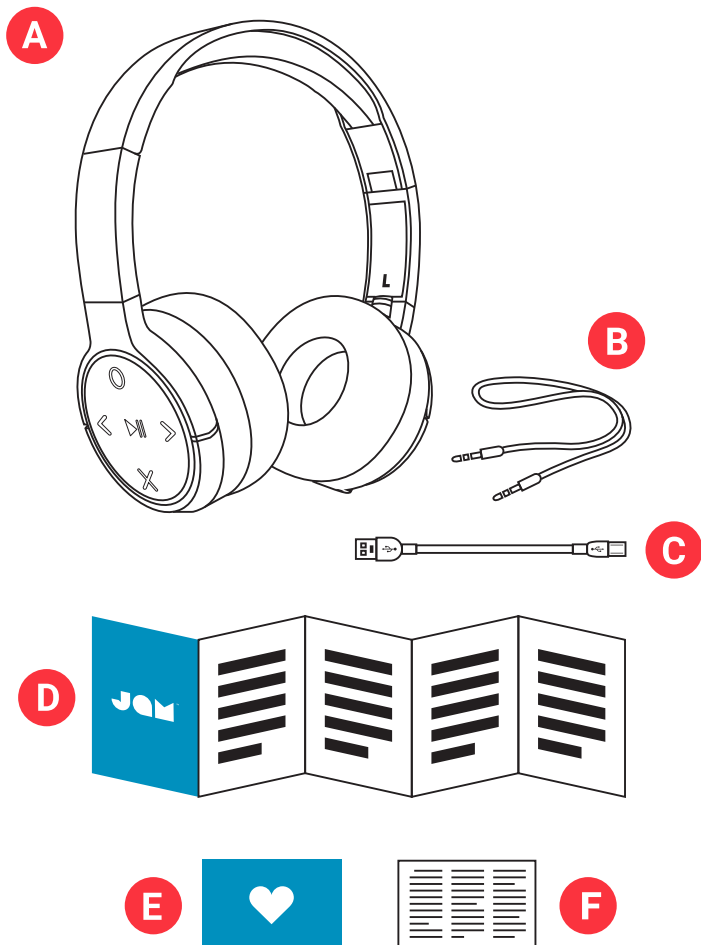


ALREADY THERE

HX-HP101

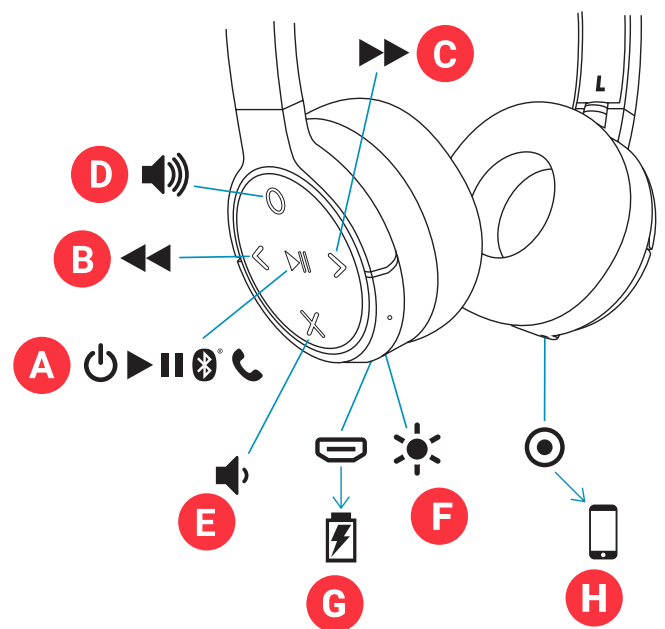
Manuale di istruzioni

INDICI



- A – Auricolari
- B – Cavo aux
- C – Cavo di carica USB
- D – Guida di avviamento rapido
- E – Foglio di benvenuto
- F – Scheda legale

CONTROLLI



- A – Pulsante accensione/spengimento suona/pausa
- B – Brano precedente
- C – Brano seguente
- D – Aumento volume
- E – Diminuzione volume
- F – Spia LED
- G – Presa di carica
- H – Presa AUX In

MESSA A PUNTO

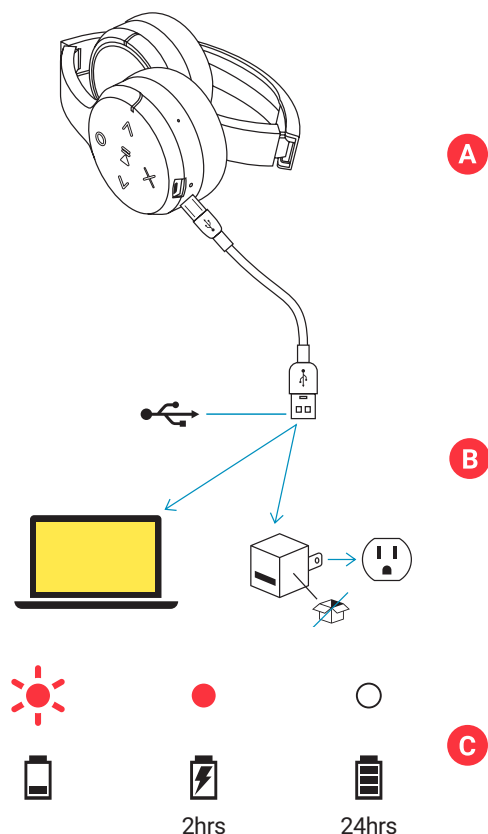
CARICA DEGLI AURICOLARI

Gli auricolari "Already There" sono alimentati da una batteria ricaricabile. Gli auricolari sono forniti precaricati, tuttavia, per un tempo di funzionamento ottimale, ricordarsi di caricarli quando si usano per la prima volta.

A – Svolgere il cavo di carica e inserire il connettore micro USB nella presa di carica degli auricolari.

B – Connettere la spina USB più larga nel computer o in un adattatore CA dell'USB. L'adattatore CA non è incluso nella scatola, ma è possibile usare quello previsto per il cellulare o acquistane uno quando ci si trova al negozio.

C – Quando la spia LED emette una luce rossa lampeggiante, significa che il livello di carica della batteria è basso ed è quindi tempo di inserire la presa per ricaricare. Caricare per circa 2 ore in modo da ottenere 24 ore di funzionamento; durante la carica la spia emette una luce rossa continua. Una volta completata la carica, la spia si spegne.



USO

A – ACCENSIONE DEGLI AURICOLARI

Tenere abbassato il pulsante "suona/pausa" per 3 secondi per accendere gli auricolari.

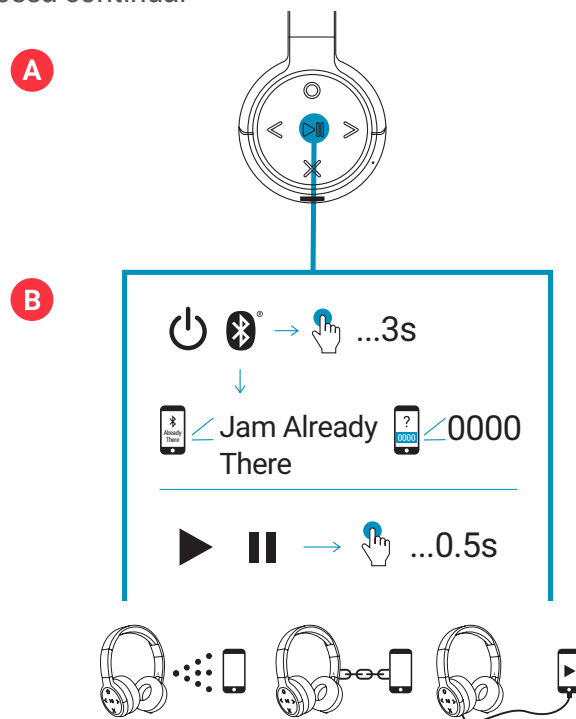
B – CONNESSIONE A UN DISPOSITIVO

Una volta accesi, gli auricolari cercheranno immediatamente un dispositivo a cui collegarsi; la spia lampeggerà alternativamente una luce rossa e blu. Abilitare Bluetooth® sul dispositivo. Dal menu Bluetooth® selezionare "Jam Already There". Quando il dispositivo e BeenThere sono collegati; sarà udita una tonalità e la spia emetterà una luce blu continua.

Avvenuto il collegamento, il dispositivo e gli auricolari si ritroveranno ogni volta che il dispositivo Bluetooth® è acceso. Se si è collegati a un computer, sarà necessario eseguire un numero superiore di operazioni. Dovrete ricevere queste informazioni dal produttore del computer.

A seconda del dispositivo vi sarà richiesto di immettere un codice di collegamento. In tal caso usare "0000" come codice. Tenendo abbassati i pulsanti "<" e ">" allo stesso tempo per 3 secondi si disconnette un dispositivo collegato.

Si può anche collegare il dispositivo ad Already There usando un cavo aux, che è fornito. Quando il cavo è inserito, la spia emetterà una luce rossa continua.



C – FUNZIONE DEL PULSANTE

Premere il pulsante “suona/pausa” per 0,5 secondi per sentire la musica. Per aumentare il volume, premere brevemente il pulsante “O”; per abbassare il volume, premere brevemente il pulsante “X”. Per saltare il brano successivo, tenere abbassato a lungo il pulsante “>”; per saltare il brano precedente tenere abbassato a lungo il pulsante “<”.

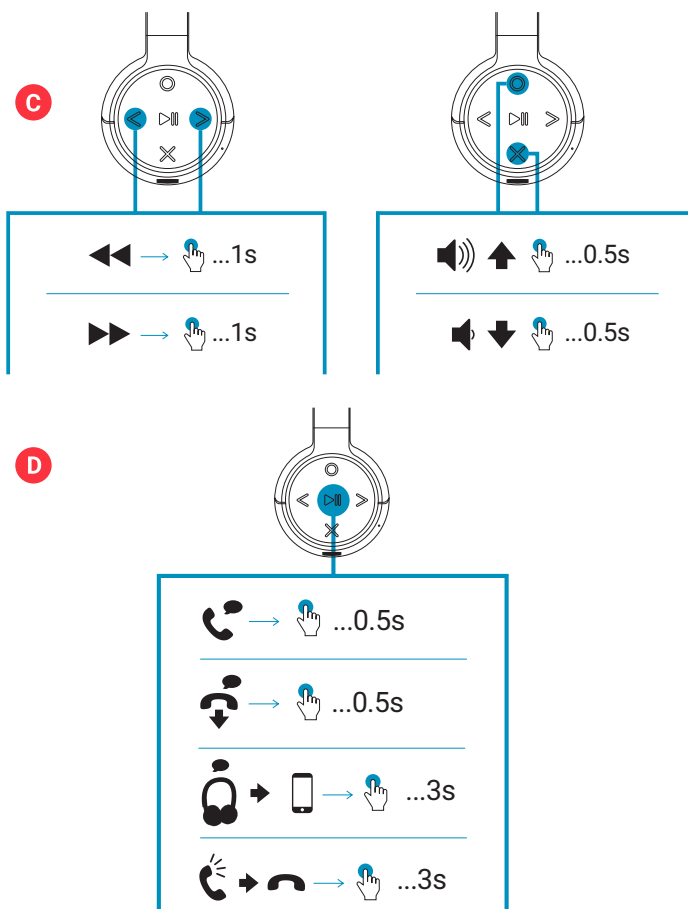
D – GESTIONE DELLA CHIAMATA

Mentre si ascolta la musica, se arriva una chiamata telefonica, premere il pulsante “suona/pausa” per rispondere; premere di nuovo alla fine della conversazione per agganciare.

Durante la chiamata, se si desidera renderla privata, premere a lungo il pulsante “suona/pausa” per muovere la chiamata dagli auricolari al telefono.

Se arriva una chiamata e non si vuole rispondere, premere a lungo il pulsante “suona/pausa” per inviare la chiamata alla segreteria.

*Vedere le tabelle seguenti per completare il funzionamento dei pulsanti e l'interpretazione delle spie LED.



SPIE LED

CARICA

Luce rossa lampeggiante con impulsi ogni 5 secondi	Basso livello carica batteria
Luce rossa costante	In corso di carica
Spia spenta	Carica completata

USO

Luce blu e rossa lampeggiante	Modalità di collegamento
Luce blu lampeggiante con impulsi ogni 5 secondi	Collegati con il dispositivo

FUNZIONI DI BASE

ALIMENTAZIONE

Accensione/Spengimento	Premere a lungo il pulsante suona/pausa
------------------------	---

MUSICA

Suona/Pausa	Premere brevemente il pulsante suona/pausa
Aumento del volume	Premere brevemente il pulsante O
Diminuzione del volume	Premere brevemente il pulsante X
Salta il prossimo brano	Premere a lungo il pulsante >
Salta il brano precedente	Premere a lungo il pulsante <

CHIAMATE

Per accettare una chiamata	Premere brevemente il pulsante suona/pausa
Rifiuta una chiamata	Premere a lungo il pulsante suona/pausa
Fine di una chiamata	Premere brevemente il pulsante suona/pausa
Per accettare una seconda chiamata in arrivo	Premere brevemente il pulsante suona/pausa
Per rifiutare una seconda chiamata in arrivo	Premere a lungo il pulsante suona/pausa
Per muovere la chiamata in corso dagli auricolari al dispositivo	Premere a lungo il pulsante suona/pausa

INFORMAZIONI LEGALI

LEGGERE TUTTE LE ISTRUZIONI PRIMA DELL'USO E, QUINDI, SALVARLE PER RIFERIMENTI FUTURI.

GARANZIA - RU ED EUROPA

JAM garantisce questo prodotto come libero da difetti di materiale e fabbricazione per un periodo di 2 anni a partire dalla data dell'acquisto. Questa garanzia non copre i danni causati da uso improprio, maltrattamenti, incidenti, attacco di ogni accessorio non autorizzato, alterazione del prodotto o qualsiasi altra condizione prodotta da cause estranee alle possibilità di controllo della JAM. Distribuito da: Homedics, Italy SRL, Via Giosuè Carducci, 125 20099 Sesto San Giovanni (MI)
Tel: 064.521.2169 Email: support@jamaudio.it.

IMPORTANTI ISTRUZIONI DI SICUREZZA

LEGGERE TUTTE LE ISTRUZIONI PRIMA DELL'USO:

AVVERTENZA: Ascoltare in modo responsabile. Per evitare danni all'udito, assicurarsi che il volume sull'apparecchio sia abbassato prima di collegare le cuffie. Dopo aver posizionato le cuffie sulle orecchie, alzare gradatamente il volume fino a raggiungere una sonorità soddisfacente.

- Usare questo prodotto solo per l'uso destinato descritto in questo manuale. Non usare accessori non raccomandati dalla Jam.
- La Jam non è responsabile di eventuali danni causati agli smartphone, iPod/MP3 player o ad ogni altro dispositivo.
- Non porre o conservare questo prodotto in punti dove possa cadere in una vasca da bagno o in un lavandino.
- NON immergere o lasciar cadere l'apparecchio nell'acqua o in altri liquidi.
- Non farlo usare ai bambini. **QUESTO NON È UN GIOCATTOLO.**
- Non usare mai questo prodotto con il filo, la presa, il cavo o la custodia danneggiati.
- Mantenere il prodotto lontano da superfici calde.
- Posarlo solo su superfici asciutte. Non posarlo su superfici bagnate con acqua o detergenti.

AVVERTENZA: Questo prodotto ha al suo interno una batteria al litio non sostituibile. Smaltirla rispettando le disposizioni locali, provinciali e statali. Le batterie (batterie esterne o installate) non devono essere esposte a eccessivo calore come raggi del sole, fuoco o simili.

SOSTITUZIONE DELLA BATTERIA

I vostri auricolari includono una batteria ricaricabile concepita per durare durante tutta la vita del prodotto. Nel caso improbabile che si necessiti di sostituire la batteria, contattare il Servizio Clientela, che fornirà dettagli sulla garanzia e sul servizio di sostituzione della batteria fuori della garanzia. Questo prodotto contiene parti di piccola dimensione che possono rappresentare un pericolo di soffocamento per i bambini.

ATTENZIONE: Tutte le attività di manutenzione e riparazione di questo prodotto devono essere eseguite solo da personale di servizio autorizzato della Jam Audio. Per una completa guida dell'utente e per la registrazione del prodotto, visitare www.jamaudio.com (USA), o canada.jamaudio.com (Canada), o uk.jamaudio.com/instructionbooks (UK).



Per impedire la possibilità di danni alle orecchie, non ascoltare a volume elevato per lunghi periodi.



SPIEGAZIONE DEL MARCHIO WEEE

All'interno della UE, questo marchio indica che il prodotto non può essere smaltito con altri rifiuti domestici. Per impedire possibili danni all'ambiente o alla salute umana prodotti da uno smaltimento incontrollato dei rifiuti, riciclare l'apparecchio in modo responsabile per riutilizzare utilmente il materiale.



DIRETTIVA SULLA BATTERIA

Questo simbolo indica che le batterie non possono essere smaltite con i rifiuti domestici in quanto esse contengono sostanze in grado di danneggiare l'ambiente e la salute. Smaltire le batterie nei punti di raccolta designati.

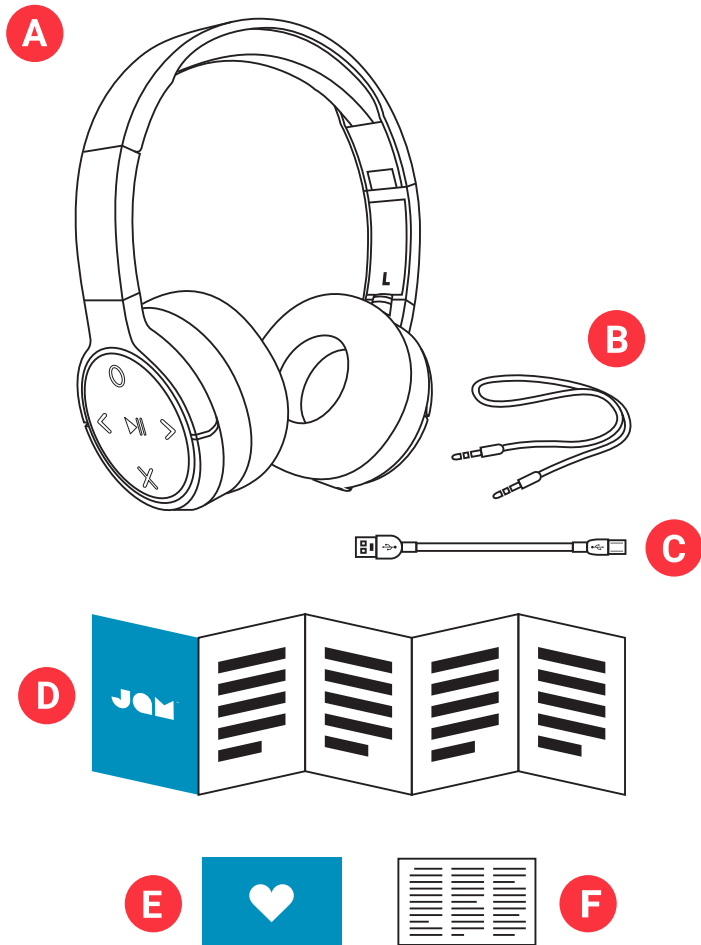
Con la presente, FKA Brands Ltd, dichiara che questo apparecchio radio è conforme ai requisiti essenziali e alle altre normative applicabili della Direttiva 2014/53/EU. Una copia della Dichiarazione di conformità può essere ottenuta da uk.jamaudio.com/DoC.



ALREADY THERE

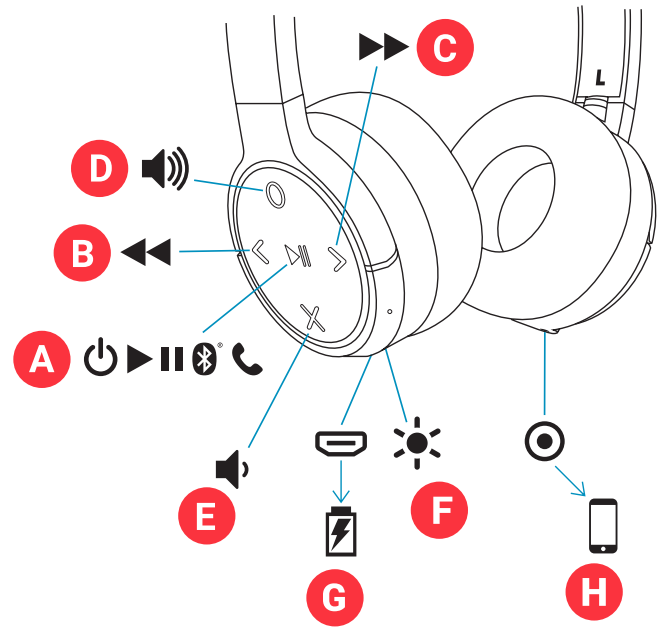
HX-HP101
Ohjekirja

SISÄLTÖ



- A – Kuulokkeet
- B – AUX-kaapeli
- C – USB-latauskaapeli
- D – Pika-aloitusopas
- E – Tervetulokortti
- F – Lakisääteiset tiedot

SÄÄTIMET



- A – Virta päälle/pois, toisto/tauko
- B – Edellinen raita
- C – Seuraava raita
- D – Äänenvoimakkuuden suurentaminen
- E – Äänenvoimakkuuden pienentäminen
- F – LED-merkkivalo
- G – Latausportti
- H – AUX in -portti

KÄYTTÖNOTTO

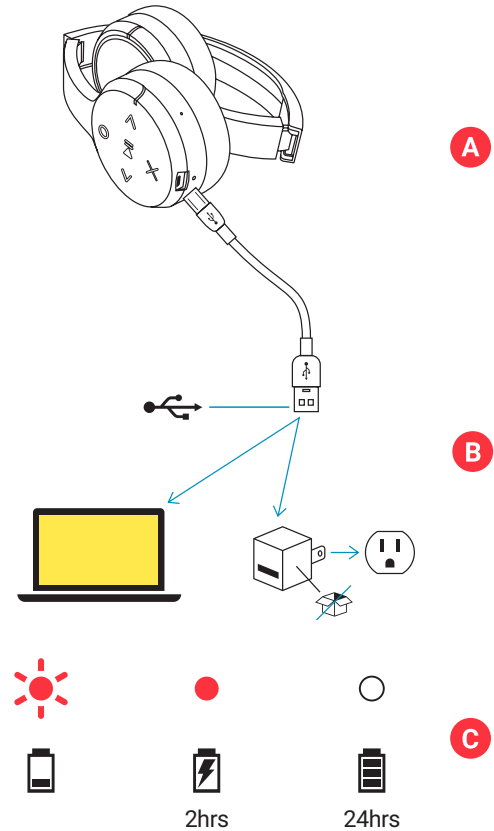
KUULOKKEIDEN LATAAMINEN

"Already There" -kuulokkeet saavat virran ladattavasta akusta. Kuulokkeet on esiladattu, mutta lataa ne ennen ensimmäistä käyttöä, jotta varmistat mahdollisimman pitkän käyttöajan.

A – Ota esiin latauskaapeli ja liitä micro USB -liitin kuulokkeiden latausporttiin.

B – Liitä suurempi USB-liitin tietokoneeseen tai virralliseen USB-verkkosovittimeen. Verkkosovitin ei tule pakkauksen mukana, mutta voit käyttää puhelimesi sovitinta tai ostaa sovitin kaupasta.

C – Jos LED-valo välkkyä punaisena, se tarkoittaa, että akun varaus on heikko ja on aika ladata se uudelleen. Kahden tunnin latauksella voit käyttää kaiutinta jopa 24 tunnin ajan. Kaiuttimen latautessa merkkivalo on tasainen punainen. Kun kuulokkeet ovat täysin latautuneet, LED-valo sammuu.



KÄYTTÖ

A – VIRRAN KYTKEMINEN KUULOKKEISIIN

Kytke virta kuulokkeisiin painamalla "toisto/tauko"-painiketta pitkään kolmen sekunnin ajan.

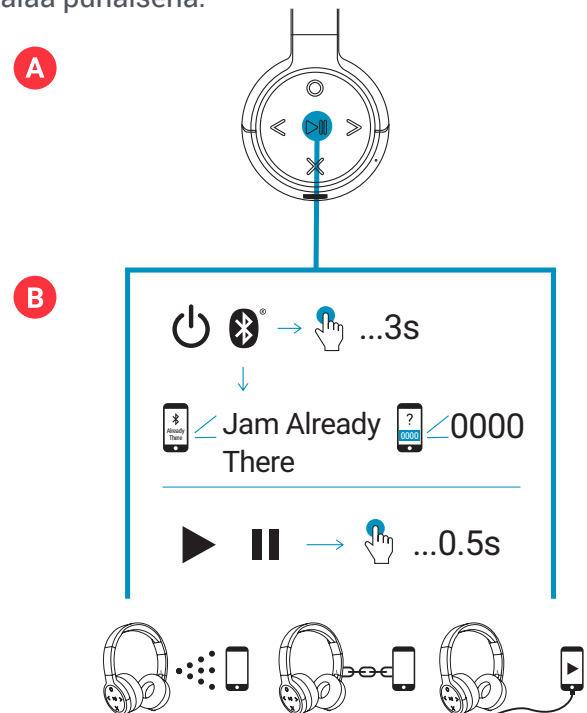
B – YHDISTÄMINEN LAITTEESEEN

Virran kytkeydyttyä kuulokkeisiin ne alkavat välittömästi etsiä laitetta, jonka kanssa muodostaa pariiliitos. LED-valo vilkkuu vuorotellen sinisenä ja punaisena. Aktivoi Bluetooth® laitteessasi. Valitse Bluetooth®-valikosta "Jam Already There". Kun laitteen ja Already Theren välillä on kytkös, kuulet äänimerkin ja LED-valo palaa sinisenä.

Kun pariiliitos on muodostettu, laitteesi ja kuulokkeet löytävät toisensa joka kerta, jos laitteessa on Bluetooth® päällä. Jos yhdistät kuulokkeet tietokoneeseen, saatat joutua käymään läpi muutaman lisävaiheen. Saat tätä koskevat tiedot tietokoneyhtiöltä.

Jotkin laitteet saattavat pyytää syöttämään pariiliituskoodin. Käytä koodia "0000". Lopeta pariiliitos laitteen kanssa pitämällä "<"- ja ">"-painikkeita painettuina samanaikaisesti 3 sekunnin ajan.

Voit yhdistää laitteesi Already There en myös käyttämällä AUX-kaapelia, joka sisälly pakkaukseen. Kun johto on kytketty, valo palaa punaisena.



C – PAINIKETOIMINNOT

Aloita musiikin toisto painamalla "toisto/tauko"-painiketta lyhyesti 0,5 sekunnin ajan. Suurena äänenvoimakkuutta painamalla lyhyesti "O"-painiketta. Pienennä äänenvoimakkuutta painamalla lyhyesti "X"-painiketta. Siirry seuraavaan raitaan painamalla ">"-painiketta pitkään. Siirry edelliseen raitaan painamalla "<"-painiketta pitkään.

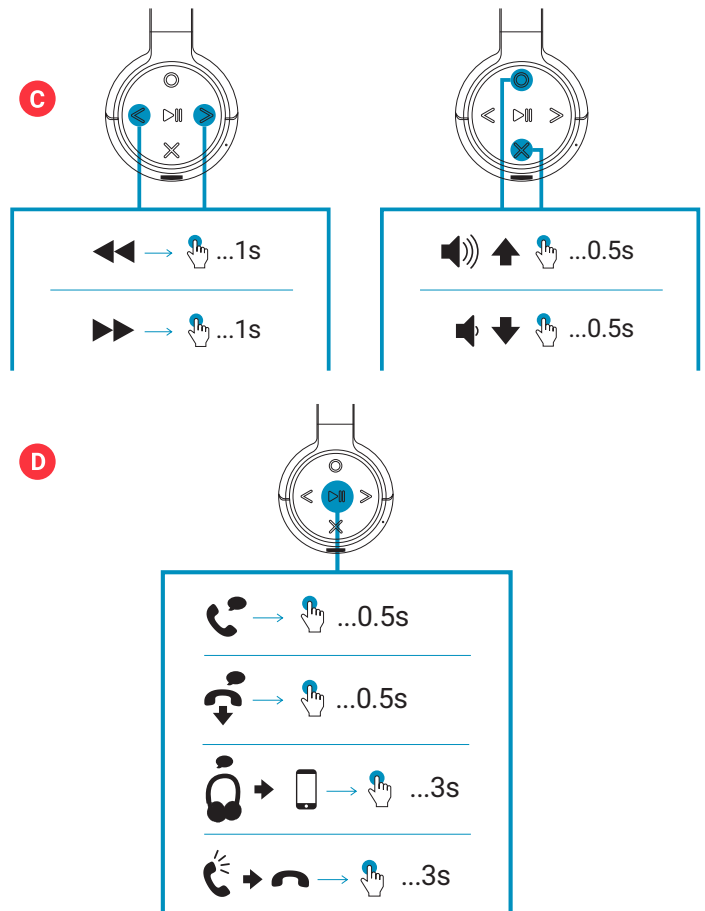
D – PUHELUIDEN KÄSITTELY

Jos saat puhelun kuunnellessasi musiikkia, paina lyhyesti "toisto/tauko"-painiketta vastataksesi puheluun. Lopetettuasi katkaise puhelu painamalla painiketta uudelleen lyhyesti.

Jos puhelun aikana haluat siirtää puhelun kuulokkeista puhelimeesi, paina pitkään "toisto/tauko"-painiketta.

Jollet halua vastata saapuvaan puheluun, siirrä puhelu vastaajaan painamalla pitkään "toisto/tauko"-painiketta.

*Seuraavissa taulukoissa on lueteltu kaikki painiketoiminnot ja LED-merkkivalojen tulkinnat.



LED-MERKKIVALOT

LATAA

Vilkkuva punainen 5 sekunnin välein	Heikko akun varaus
Tasainen punainen	Latautuu
LED-valo pois päältä	Lataus suoritettu loppuun

KÄYTÖSSÄ

Sininen ja punainen vilkkuvat	Pariliitostilassa
Vilkkuva sininen 5 sekunnin välein	Pariliitoksessa laitteen kanssa

PERUSTOIMINNOT

VIRTA

Virta päälle/pois	Paina pitkään toisto/tauko-painiketta
-------------------	---------------------------------------

MUSIIKKI

Toisto/tauko	Paina lyhyesti toisto/tauko-painiketta
Äänenvoimakkuuden suurentaminen	Paina lyhyesti O-painiketta
Äänenvoimakkuuden pienentäminen	Paina lyhyesti X-painiketta
Siirry seuraavaan raitaan	Paina pitkään >-painiketta
Siirry edelliseen raitaan	Paina pitkään <-painiketta

PUHELUT

Vastaa puheluun	Paina lyhyesti toisto/tauko-painiketta
Hylkää puhelu	Paina pitkään toisto/tauko-painiketta
Katkaise puhelu	Paina lyhyesti toisto/tauko-painiketta
Vastaa toiseen saapuvaan puheluun	Paina lyhyesti toisto/tauko-painiketta
Hylkää toinen saapuva puhelu	Paina pitkään toisto/tauko-painiketta
Siirrä aktiivinen puhelu kuulokkeista laitteeseen	Paina pitkään toisto/tauko-painiketta

LAKISÄÄTEISET TIEDOT

LUE KAIKKI OHJEET ENNEN KÄYTTÖÄ JA SÄILYÄ NÄMÄ OHJEET MYÖHEMPÄÄ TARVETTA VARTEN.

TAKUU – UK JA EUROOPPA

JAM takaa kahden vuoden ajan ostopäivästä lukien, että tässä tuotteessa ei ilmene materiaali- tai valmistusvikoja. Tämä takuu ei kata vaurioita, jotka johtuvat väärinkäytöstä, onnettomuudesta, hyväksymättömän lisävarusteen liittamisestä, tuotteen muokkauksesta tai mistään muusta sellaisesta syystä, joka ei ole JAMin hallinnassa. EU:n alueella jakelijana toimii FKA Brands Ltd, Somerhill Business Park, Tonbridge, TN11 0GP, UK. Sähköposti: support.row@fkabrand.com.

TÄRKEÄ TURVALLISUUSTIEDOTE

LUE KAIKKI OHJEET ENNEN KÄYTTÖÄ

VAROITUS: Kuuntele vastuullisesti. Välttääksesi kuulovaurioita varmista ennen kuulokkeiden liittämistä, että laitteen äänenvoimakkuus on säädetty hiljaiseksi. Asetettuasi kuulokkeet korvillesi voit suurentaa äänenvoimakkuutta mieleisellesi tasolle.

- Käytä tuotetta vain sen tässä käyttöohjeessa kuvattuun käyttötarkoitukseen. Älä käytä lisävarusteita, joita Jam ei suosittele.
- Jam ei vastaa älypuhelimeen, iPod-/MP3-soittimeen tai mihinkään muuhun laitteeseen aiheutuneista vahingoista.
- Älä aseta tätä tuotetta paikkaan tai säilytä paikassa, josta se voi pudota tai se voidaan pudottaa kylpyammeeseen tai pesualtaaseen.
- Älä laita tai pudota veteen tai muuhun nesteeseen.
- Ei lasten käyttöön. **TÄMÄ EI OLE LELU.**
- Älä käytä tätä tuotetta, jos sen johto, pistoke tai kotelo on vahingoittunut.
- Älä aseta kuumalle pinnalle.
- Aseta vain kuivalle pinnalle. Älä aseta pinnalle, joka on märkä vedestä tai puhdistusaineesta.

VAROITUS: Tässä tuotteessa on sisäinen litiumakku, jota ei voi vaihtaa. Hävitä paikallisten, paikkakunnallisten ja maan määräysten mukaisesti. Akku (asennettu akku tai paristot) ei saa altistua liialliselle kuumuudelle, kuten auringonpaisteelle, tulelle tai vastaavalle.

AKUN VAIHTO

Kuulokkeissa on ladattava akku, joka on suunniteltu kestävään koko tuotteen eliniän. Siinä epätodennäköisessä tapauksessa, että tarvitset uuden akun, ota yhteyttä kuluttajapalveluun. Saat yksityiskohtaiset tiedot takuun alaisesta ja takuun ulkopuolisesta akun korvaamisesta. Tässä tuotteessa on pieniä osia, jotka voivat aiheuttaa tukehtumisvaaran pienille lapsille.

HUOMIO: Vain valtuutettu Jam Audio -huoltohenkilöstö saa huoltaa tätä tuotetta. Saat täydellisen käyttöoppaan ja voit rekisteröidä tuotteesi osoitteessa www.jamaudio.com (USA), canada.jamaudio.com (Kanada) tai uk.jamaudio.com/instructionbooks (UK).



Välttääksesi mahdollisia kuulovaurioita älä kuuntele pitkiä aikoja suurella äänenvoimakkuudella.



SÄHKÖ- JA ELEKTRONIIKKALAITEROMU

Tämä merkintä osoittaa, että tätä tuotetta ei tule hävittää muun kotitalousjätteen mukana EU:n alueella. Jotta vältettäisiin kontrolloimattomasta jätehuollosta ympäristölle tai ihmisten terveydelle mahdollisesti koitua haitta, kierrätä vastuullisesti materiaaliressurssien kestävästi uudelleen käytön edistämiseksi.



PARISTO- JA AKKUDIREKTIIVI

Tämä merkintä tarkoittaa, että akkuja ei saa hävittää kotitalousjätteen mukana, koska ne sisältävät aineita, jotka voivat olla ympäristölle ja terveydelle vahingollisia. Vie akut niille tarkoitettuun keräyspisteeseen.

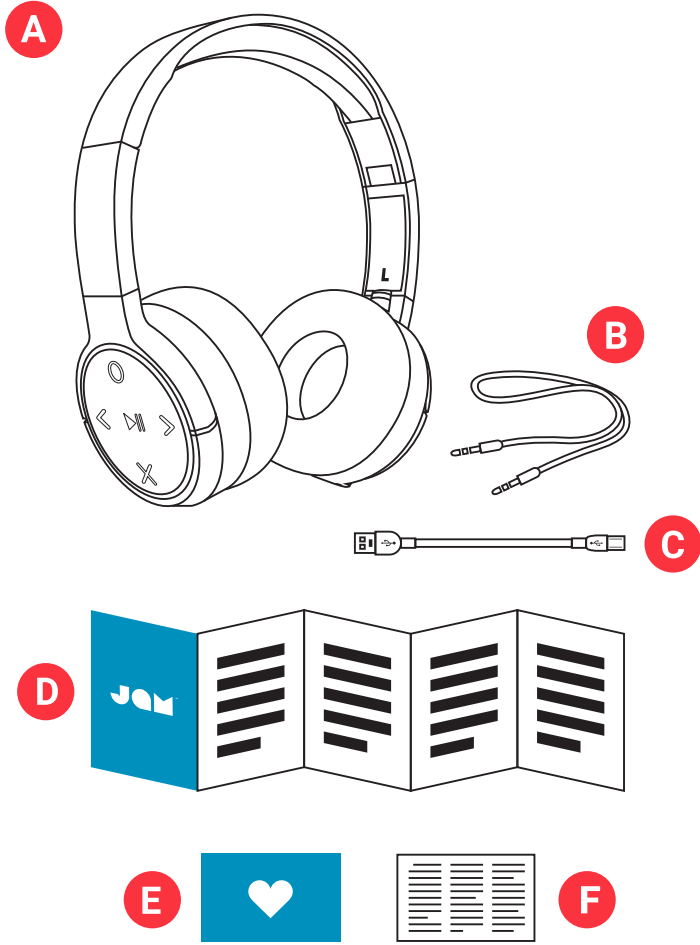
FKA Brands Ltd vakuuttaa täten, että tämä radiolaitte noudattaa direktiivin 2014/53/EU oleellisia vaatimuksia ja muita asiaankuuluvia määräyksiä. Vaatimustenmukaisuusvakuutus on saatavilla osoitteessa uk.jamaudio.com/DoC.



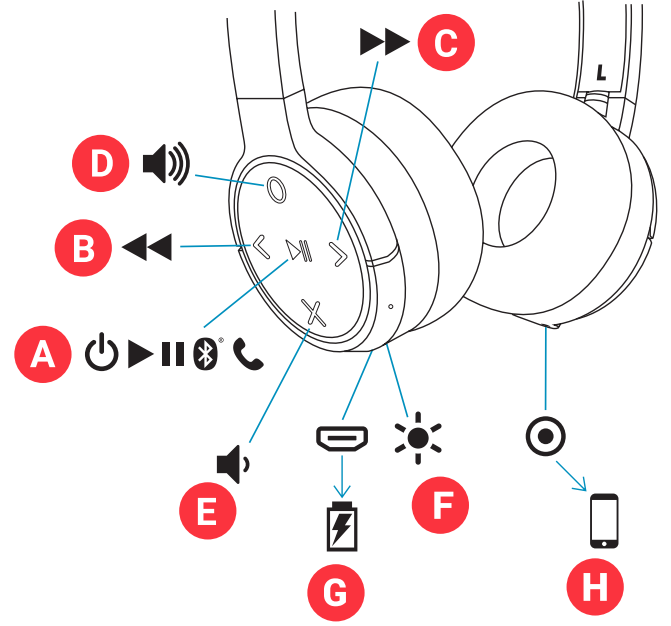
ALREADY THERE

HX-HP101
Talimat Kitabı

İÇİNDEKİLER



KUMANDALAR



- A - Kulaklıklar
- B - Aux kablosu
- C - USB Şarj Kablosu
- D - Hızlı Başlangıç Kılavuzu
- E - Hoş geldiniz kartı
- F - Yasal kart

- A - Açma/kapama/oyunatma/durdurma düğmesi
- B - Önceki parça
- C - Sonraki parça
- D - Sesi yükseltme
- E - Sesi azaltma
- F - LED Işık Göstergesi
- G - Şarj Yuvası
- H - Aux Giriş Yuvası

KURULUM

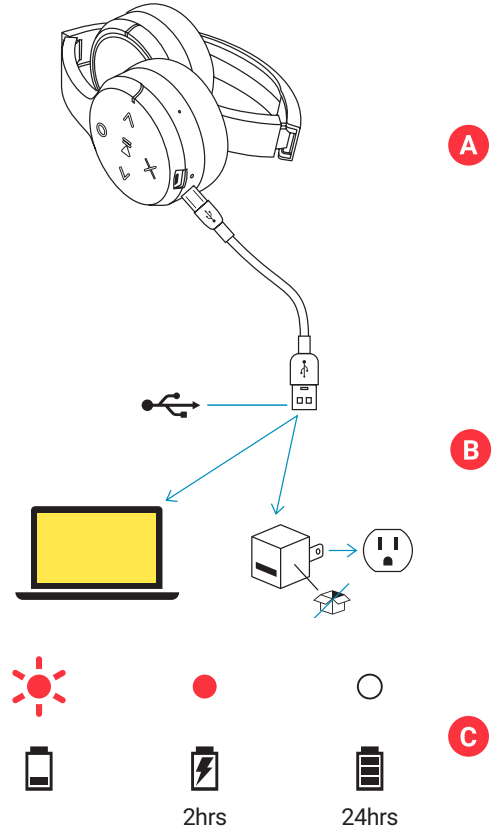
KULAKLIKLARINIZI ŞARJ ETMEE

"Already There" Kulaklıkları yeniden şarj edilebilir pillerle çalışmaktadır. Kulaklıklar önceden şarj edilmiş olarak teslim edilir ancak daha iyi kullanım süresi için ilk kullanımdan önce şarj etmeyi unutmayın.

A – Şarj kablosunu çözün ve kulaklıklardaki şarj yuvasına micro USB ucu takın.

B – Daha geniş olan USB girişini bilgisayarınıza veya elektrikteki USB AC adaptörüne bağlayın. AC adaptörü kutuya dahil değildir, ancak cep telefonunuzun adaptörünü kullanabilirsiniz veya mağazaya geldiğinizde alabilirsiniz.

C – LED kırmızı yanıp söndüğünde, pilin düşük olduğunu gösterir ve prize takıp şarj etmeniz gerekir. 24 saate kadar çalışma süresi için yaklaşık 2 saat şarj edin, şarj sırasında ışık kırmızı olacaktır. Tamamen şarj olduğunda, LED ışığı söner.



KULLANIM

A – KULAKLIKLARINIZI AÇMA

Kulaklıklarınızı açmak için 3 saniye "oynat/durdur" düğmesine basın.

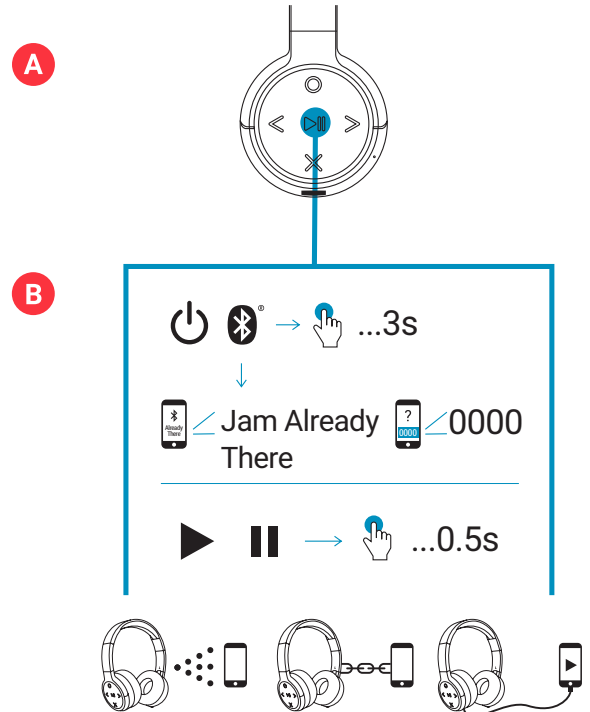
B – BİR CİHAZA BAĞLAMA

Açıldığında, kulaklıklar eşleşmek üzere bir cihaz aramaya başlayacaktır, LED değişimli olarak kırmızı ve mavi renklerde yanıp söner. Cihazınızda Bluetooth®'u etkinleştirin. Bluetooth® menüsünden, "Jam Already There"i seçin. Cihaz ve Already There bağlandığında, bir zil sesi duyarsınız ve LED ışığı maviye döner.

Eşleştikten sonra, cihazınızda Bluetooth® açık olduğu sürece cihazınız ve kulaklıklarınız her defasında birbirini bulur. Bilgisayara bağlıyorsanız, birkaç adım daha gerçekleştirmeniz gerekebilir. Bu bilgileri bilgisayar şirketinden almanız gereklidir.

Cihazınıza bağlı olarak, eşleştirme kodu girmek üzere yönlendirilebilirsiniz. Bu durumda, kod olarak "0000" kullanın. Aynı anda "<" ve ">" düğmelerine bastığınızda, eşleşen cihazların bağlantısı 3 saniye içinde kesilir.

Ayrıca Already There'i kutuya dahil aux kablosu ile cihaza bağlayabilirsiniz. Bağlandığında, ışık kırmızı yanacaktır.



C – DÜĞME İŞLEVI

Müzik çalmak için 0,5 saniye “oynat/durdur” düğmesine basın. Sesi arttırmak için, “O” düğmesine kısa süreli basın, sesi azaltmak için “X” düğmesine kısa süreli basın. Bir parçada ileriye gitmek için “>” düğmesine basın, geriye gitmek için “<” düğmesine uzunca basın.

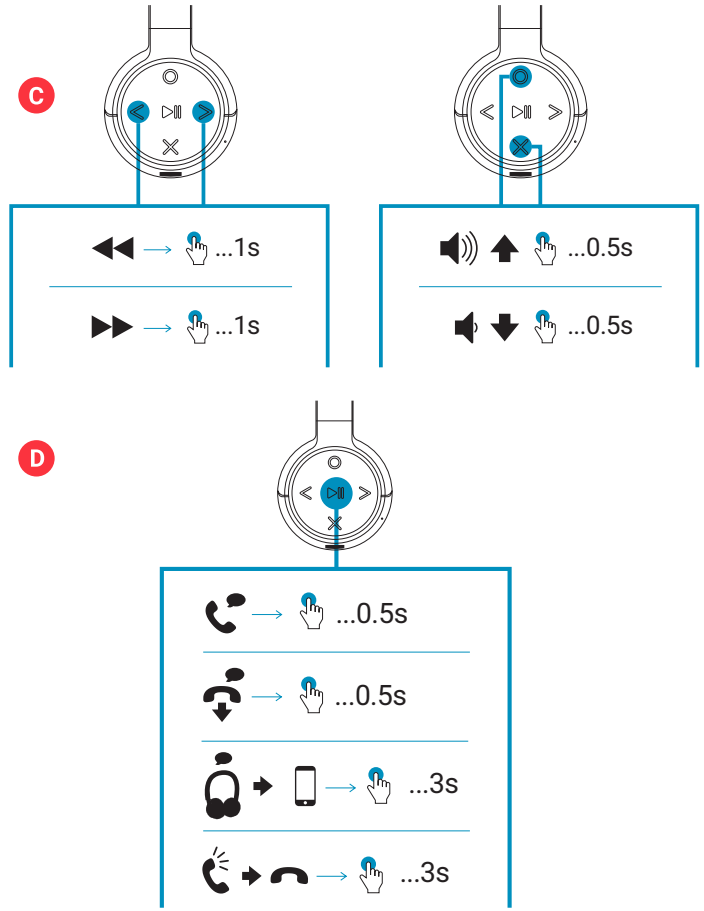
D – ARAMA YANITLAMA

Müziğinizin keyfini çıkarırken bir arama gelirse, aramayı yanıtlamak için “oynat/durdur” düğmesine kısa süreli basın; aramanız bittiğinde kapatmak için yine kısa süreli basın.

Arama sırasında, özel konuşma yapmak istiyorsanız, aramayı kulaklıktan telefona almak için “oynat/durdur” düğmesine uzun süreli basın.

Gelen aramayı yanıtlamak istemezseniz, aramayı sesli mesaja yönlendirmek üzere “oynat/durdur” düğmesine uzun süreli basın.

*Tüm düğme işlevlerini ve LED ışığı gösterge yorumları için aşağıdaki tabloya bakın.



LED GÖSTERGELERİ

ŞARJ ETME

Her 5 saniyede bir kırmızı yanıp söner	Düşük pil
Sabit Kırmızı	Şarj etme
LED kapalı	Şarj Tamamlandı

KULLANILIRKEN

Mavi ve kırmızı yanıp söner	Eşleşme modu
Her 5 saniyede bir mavi yanıp söner	Cihazla eşleşti

TEMEL İŞLEVLER

GÜÇ

Güç açık/kapalı	Oynat/durdur düğmesine uzun basın
-----------------	-----------------------------------

MÜZİK

Oynat/Durdur	Oynat/durdur düğmesine kısa basın
Sesi yükseltme	O düğmesine kısa basın
Sesi azaltma	X düğmesine kısa basın
Bir parçada ileriye gitme	> düğmesine uzun basın
Bir parçada geriye gitme	< düğmesine uzun basın

ARAMALAR

Arama yanıtlama	Oynat/durdur düğmesine kısa basın
Arama Reddetme	Oynat/durdur düğmesine uzun basın
Aramayı sonlandırma	Oynat/durdur düğmesine kısa basın
Gelen ikinci bir aramayı yanıtlama	Oynat/durdur düğmesine kısa basın
Gelen ikinci bir aramayı reddetme	Oynat/durdur düğmesine uzun basın
Etkin aramayı kulaklıklardan cihaza taşı	Oynat/durdur düğmesine uzun basın

YASAL BİLGİ

KULLANMADAN ÖNCE TÜM TALİMATLARI OKUYUN VE İLERİDE BAŞVURMAK ÜZERE BU TALİMATLARI SAKLAYIN.

GARANTİ - BİRLEŞİK KRALLIK VE AVRUPA

JAM, bu ürünün satın alma tarihinden itibaren 2 yıl süreyle malzeme ve işçilik açısından kusursuz olduğunu garanti eder. Bu garanti hatalı veya kötüye kullanım, kaza, lisanslı olmayan bir aksesuarın takılması, ürünün değiştirilmesi veya JAM'in kontrolü dışındaki diğer nedenlerden dolayı ortaya çıkan hasarı kapsamaz. AB'de FKA Brands Ltd, Somerhill Business Park, Tonbridge, TN11 0GP, Birleşik Krallık tarafından dağıtılmaktadır. Email: support.row@fkabrand.com.

ÖNEMLİ GÜVENLİK TALİMATLARI

ÜRÜNÜ KULLANMADAN ÖNCE TÜM TALİMATLARI OKUYUN

UYARI: Hassas bir şekilde dinleyin. İşitme hasarını engellemek için, kulaklıkları bağlamadan önce cihazınızın ses seviyesinin kısıldığından emin olun. Kulaklıkları kulaklarınıza yerleştirdikten sonra, rahat bir dinleme düzeyine ulaşana dek ses seviyesini kademeli olarak artırın.


- Bu ürünü sadece bu kılavuzda açıklanan kullanım amacı doğrultusunda kullanın. Jam tarafından önerilmeyen eklentileri kullanmayın.
- Jam, akıllı telefon, iPod/MP3 oynatıcılar veya diğer cihazlara oluşan hasardan sorumlu değildir.
- Bu ürünü küvet ya da lavaboya düşebileceği ya da düşürülebileceği yerlere koymayın ya da bu tür yerlerde saklamayın.
- Ürünü su ya da başka bir sıvının içine yerleştirmeyin ya da düşürmeyin.
- Ürün çocuklar tarafından kullanılmamalıdır. BU ÜRÜN BİR OYUNCAK DEĞİLDİR.
- Kordon, fiş, kablo veya yuvanın hasarlı olması halinde bu ürünü çalıştırmayın.
- Ürünü ısınan yüzeylerden uzak tutun.
- Ürünü sadece kuru yüzeyler üzerine kurun. Su ya da temizlik çözümleri ile ıslanan yüzeye yerleştirmeyin.

UYARI: Bu ürün dahili, değiştirilemez bir lityum pil içermektedir. Lütfen ürünü yerel mevzuat, eyalet, il ve ülke yönetmeliklerine göre imha edin. Piller (pil paketi veya takılı piller) güneş ışığı, ateş veya benzeri gibi aşırı ısıya maruz bırakılmamalıdır.

PİL DEĞİŞTİRME

Kulaklıklarınız ürünün kullanım süresi boyunca bitmeyecek şekilde tasarlanan yeniden şarj edilebilir pil içerir. Pili değiştirmeniz gereken durumlarda, garanti ve garanti dışı değişim pil servisinin ayrıntılarını sağlamak üzere Müşteri Hizmetleri ile iletişime geçmelisiniz. Bu ürün, küçük çocuklar için boğulma tehlikesine neden olabilecek küçük parçalar içermektedir.

DİKKAT: Bu ürünün tüm servis işlemleri sadece yetkili bir Jam Audio Servis Personeli tarafından gerçekleştirilmelidir. Tam kullanıcı kılavuzu ve ürününüzü kaydettirmek için, www.jamaudio.com (ABD) veya canada.jamaudio.com (Kanada) uk.jamaudio.com/instructionbooks (Birleşik Krallık).

 Olası duyma hasarını önlemek için, uzun süre yüksek sesle dinlemeyin.



WEEE AÇIKLAMASI

Bu markalama, bu ürünün AB'de diğer evsel atıklarla imha edilmemesi gerektiğini göstermektedir. Kontrolsüz atık imhası nedeniyle çevreye ve insan sağlığına gelebilecek zararları önlemek için, malzeme kaynaklarının sürdürülebilir yeniden kullanımı desteklemek üzere geri dönüştürün.



PİL DİREKTİFİ

Bu sembol, pillerin çevreye ve sağlığa zararlı olabilecek maddeler içerdiği için evsel atıklarla atılmaması gerektiğini gösterir. Lütfen pilleri belirlenen toplama noktalarına atın.

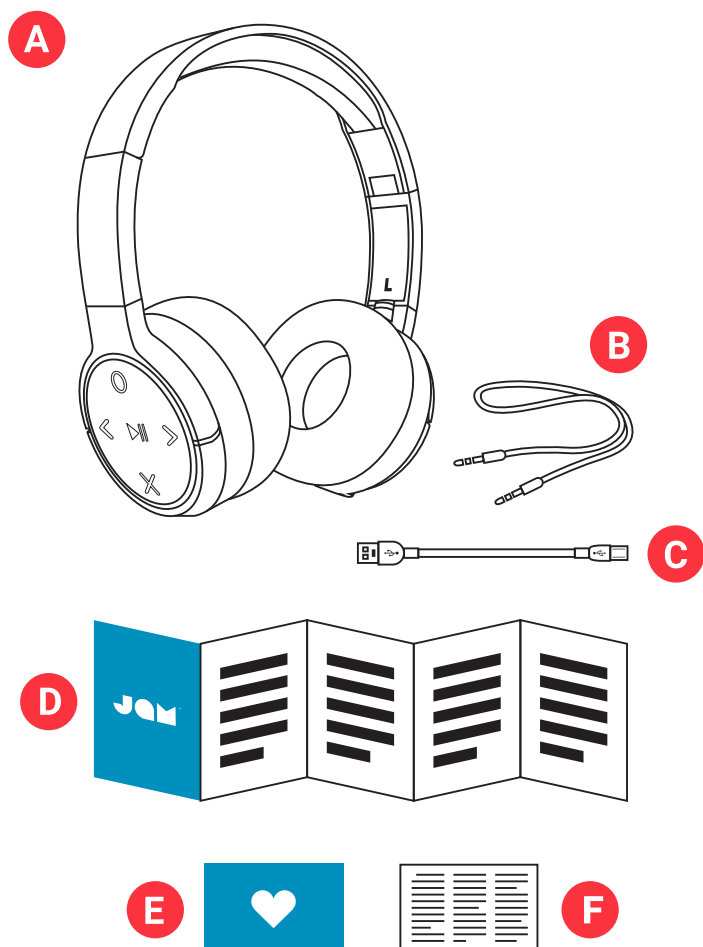
FKA Brands Ltd, bu radyo cihazının 2014/53/AB Direktifinin temel gereklilikleri ve diğer ilgili maddeleri ile uyumlu olduğunu beyan eder. Uyumluluk Bildirgesinin bir kopyası uk.jamaudio.com/DoC adresinden edinilebilir.



ALREADY THERE

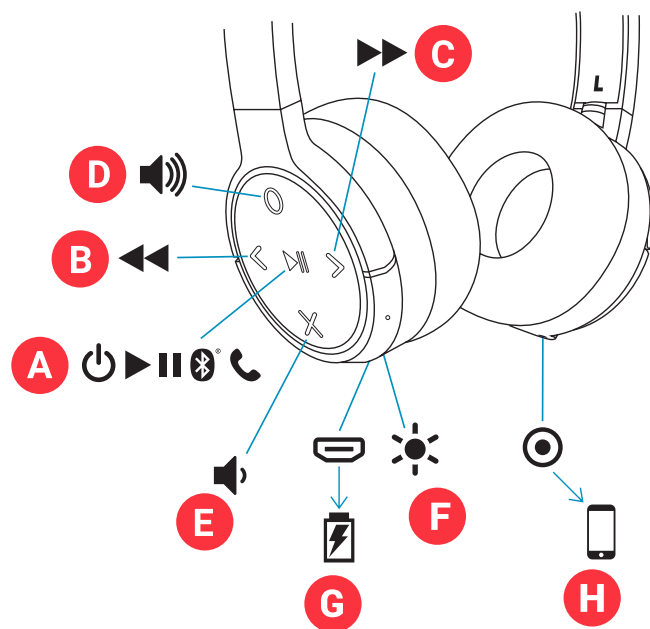
HX-HP101
Bruksanvisning

INNEHÅLL



- A – Hörlurar
- B – Aux-sladd
- C – USB-laddningssladd
- D – Snabbstartguide
- E – Välkomstkort
- F – Juridiskt kort

KONTROLLER



- A – Knapp för effekt på/av/spela/pausa
- B – Tidigare låt
- C – Nästa låt
- D – Volym upp
- E – Volym ner
- F – LED-indikatorlampa
- G – Laddningsport
- H – Aux-ingång

UPPSTÄLLNING

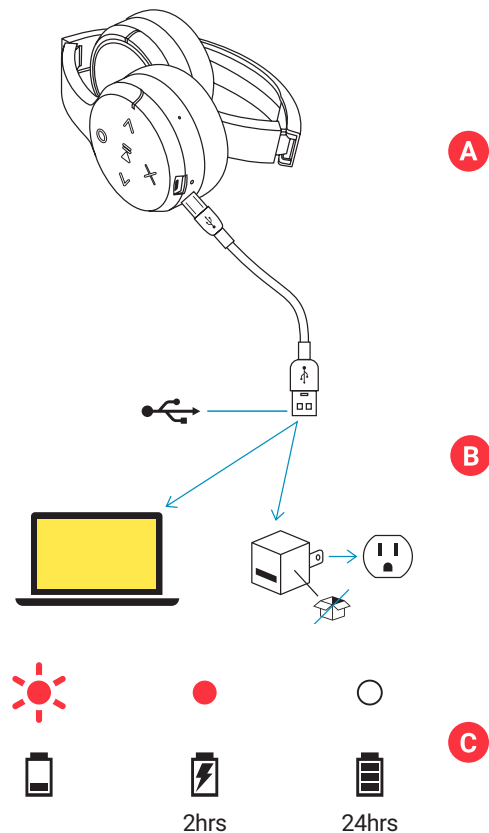
LADDNING AV DINA HÖRLURAR

"Already There"-hörlurarna drivs av ett laddningsbart batteri. Hörlurarna kommer laddade, men för optimal speltid, se till att ladda helt innan första användning.

A – Linda upp laddningssladden och sätt i änden med mikro-USB i laddningsporten på hörlurarna.

B – Anslut USB-pluggen till din dator eller en USB AC-adapter. AC-adaptern är inte inkluderad i förpackningen, men du kan använda den du använder för din mobil eller köpa en nästa gång du är i en elektronikaffär.

C – När LED-lampan blinkar röd indikerar det att batteriet är lågt och att det är dags att ansluta och ladda. Ladda i ungefär 2 timmar för att få upp till 24 timmars speltid; under laddningen kommer lampan att lysa fast röd. När fulladdad kommer LED-lampan att stängas av.



ANVÄNDNING

A – AKTIVERING AV DINA HÖRLURAR

Lång tryckning på "spela/pausa"-knappen under 3 sekunder aktiverar dina hörlurar.

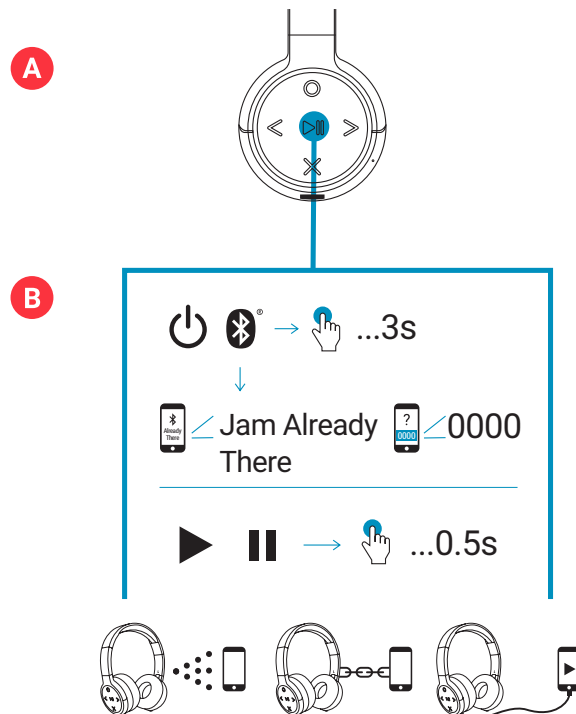
B – ANSLUTNING TILL EN ENHET

När aktiverad kommer hörlurarna omedelbart att söka efter en enhet att para till; LED-lampan kommer att blinka röd och blå om vartannat. Aktivera Bluetooth® på din enhet. Från Bluetooth®-menyn, välj "Already There." När enheten och Already There är anslutna kommer du att höra en ton och LED-lampan kommer att lysa fast blå.

När parat kommer din enhet och hörlurarna att hitta varandra varje gång, så länge som din enhets Bluetooth® är aktiverad. Om du ansluter till en dator kan du behöva gå igenom några extra steg i den änden. Du kan vända dig till din dators tillverkare för mer information.

Beroende på din enhet kommer du att ombes knappa in en parningskod. Om så, använd "0000" som kod. Om du håller ner knapparna "<" och ">" samtidigt, under 3 sekunder kommer en parat enhet att avanslutas.

Du kan även ansluta din enhet till Already There med hjälp av en aux-sladd, vilket medföljer. När ansluten kommer lampan att lysa fast röd.



C – KNAPPFUNKTION

Snabbtryckning på knappen "spela/pausa" under 0,5 sekunder för att spela din musik. För att öka volymen, tryck snabbt på "O"-knappen; för att sänka volymen, tryck snabbt på "X"-knappen. För att skippa framåt en låt, tryck på ">"-knappen; för att skippa en låt, tryck längre på "<"-knappen.

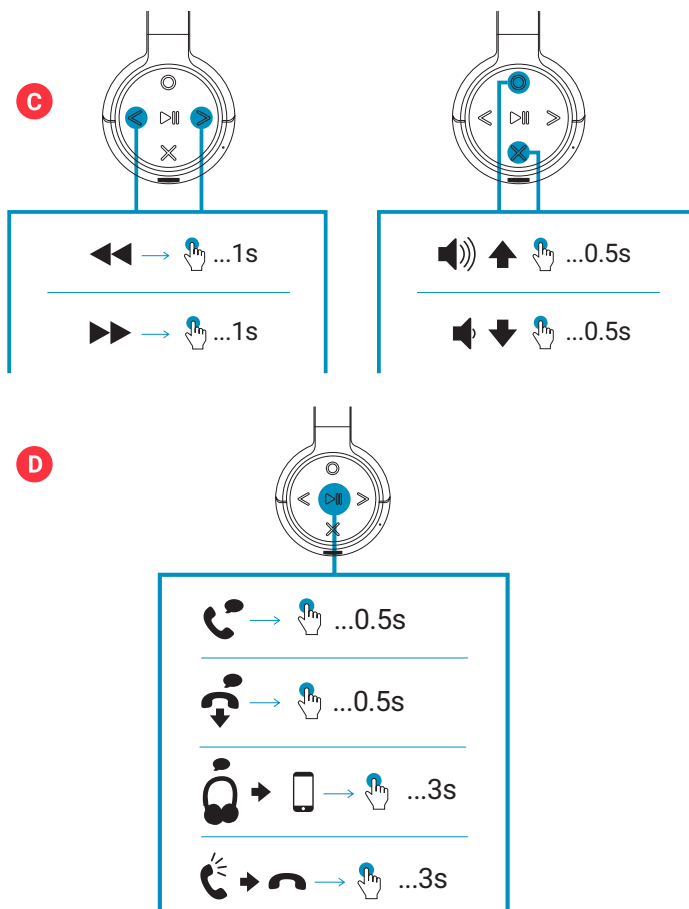
D – SAMTALSHANTERING

När du rockar loss till din musik och ett samtal kommer in, tryck snabbt på "spela/pausa"-knappen för att svara på samtalet; ett till snabbtryck när du är klar, hänger upp.

Under samtalet, om du vill göra det privat, gör ett långt tryck på "spela/pausa"-knappen för att förflytta samtalet från dina hörlurar till din mobil.

Om ett samtal kommer in och du inte vill svara på det, tryck länge på "spela/pausa"-knappen för att skicka samtalet till din röstbrevlåda.

*Se tabellen nedan för fullständiga funktioner och vad LED-lampans indikationer betyder.



LED-INDIKATORER

LADDAR

Röd blinkar var 5:e sekund	Lågt batteri
Fast röd	Laddar
LED av	Laddning klar

VID ANVÄNDNING

Blinkar blå och röd	Parningsläge
Blå blinkar var 5:e sekund	Parad med enhet

BASFUNKTIONER

EFFEKT

Effekt på/av	Lång tryckning på spela/pausa-knappen
--------------	---------------------------------------

MUSIK

Spela/pausa	Kort tryckning på spela/pausa-knappen
Volym upp	Kort tryckning på O-knappen
Volym ner	Kort tryckning på X-knappen
Skippa framåt en låt	Lång tryckning på >-knappen
Skippa bakåt en låt	Lång tryckning på <-knappen

SAMTAL

Ta ett samtal	Kort tryckning på spela/pausa-knappen
Avböj ett samtal	Lång tryckning på spela/pausa-knappen
Avsluta ett samtal	Kort tryckning på spela/pausa-knappen
Ta emot ett andra inkommande samtal	Kort tryckning på spela/pausa-knappen
Avböj ett andra inkommande samtal	Lång tryckning på spela/pausa-knappen
Flytta aktivt samtal från hörlurar till enhet	Lång tryckning på spela/pausa-knappen

JURIDISK INFORMATION

LÄS ALLA INSTRUKTIONER INNAN ANVÄNDNING OCH SPARA DESSA INSTRUKTIONER FÖR FRAMTIDA REFERENS.

GARANTI - STORBRIANNIEN OCH EUROPA

JAM garanterar att denna produkt är fri från defekter i material och utförande under en period på 2 år efter inköpsdatumet. Denna garanti täcker inte skada orsakad av felaktigt användande eller missbruk; olycka; anslutandet av något icke auktoriserat tillbehör; ändring på produkten; eller några andra förhållanden vad de än är som är utom JAM:s kontroll. Distribueras inom EU av FKA Brands Ltd, Somerhill Business Park, Tonbridge, TN11 0GP, Storbritannien. E-post: support.row@fkabrands.com.

VIKTIGA SÄKERHETS FÖRESKRIFTER

LÄS ALLA INSTRUKTIONER INNAN ANVÄNDNING

WARNING! Lyssna med förstånd. För att undvika hörselskada, se till att volymen på din enhet är nedsänkt innan du ansluter hörlurarna. Efter att du har placerat hörlurarna på dina öron, vrid gradvis upp volymen tills du når en komfortabel lyssningsvolym.

- Denna produkt får endast användas för det den är ämnad för i enlighet med denna bruksanvisning. Använd inte tillbehör som inte är rekommenderade av Jam.
- Jam ansvarar inte för någon skada orsakad av smarttelefon, iPod/MP3-spelare eller någon annan enhet.
- Placera eller förvara inte denna produkt där den kan falla eller tappas i ett badkar eller tvättfat.
- Placera inte i eller doppa i vatten eller annan vätska.
- Får inte användas av barn. **DETTA ÄR INTE EN LEKSAK.**
- Använd aldrig denna produkt om den har en skadad sladd, kontakt, kabel eller hölje.
- Håll borta från uppvärmda ytor.
- Placera endast på torra ytor. Placera inte på yta som är blöt från vatten eller rengöringsvätskor.

WARNING! Denna produkt har ett internt, icke utbytbart litiumbatteri. Avyttra i enlighet med dina lokala, kommunala och statliga riktlinjer. Batterier (batteripack eller installerade batterier) inte får utsättas för överdriven värme såsom solsken, eld eller liknande.

BYTE AV BATTERI

Dina hörlurar inkluderar ett återuppladdningsbart batteri som är designat att vara under produktens livslängd. Om du osannolikt skulle behöva byta batteriet, kontakta kundtjänst som kommer att ge dig information om garantin och batteribytetjänst utanför garantin. Denna produkt innehåller smådelar som kan vara en kvävningrisk för småbarn.

FÖRSIKTIGHET! Alla reparationer av denna produkt får endast utföras av auktoriserad Jam Audio servicepersonal. För fullständig bruksanvisning och för att registrera din produkt, besök www.jamaudio.com (USA), eller canada.jamaudio.com (Kanada), eller uk.jamaudio.com/instructionbooks (Storbritannien).



För att förhindra möjlig hörselskada, lyssna inte på högsta volym under längre perioder.



WEEE-FÖRKLARING

Denna markering indikerar att denna produkt inte får avyttras med annat hushållsavfall inom EU. För att förhindra möjlig skada på miljö eller person från okontrollerat avfallsavyttrande, återvinn på ansvarsfullt vis för att främja det fortsatta återanvändandet av materialresurser.



BATTERIFÖRESKRIFT

Denna symbol indikerar att batterier inte får avyttras bland hushållssopor eftersom de innehåller substanser som kan skada miljön och hälsan. Avyttra batterier endast vid designerade insamlingspunkter.

Härmed deklarerar FKA Brands Ltd att denna enhet är förenlig med nödvändiga krav och andra relevanta bestämmelser i direktiv 2014/53/EU. En kopia av förenlighetsdeklarationen kan erhållas från uk.jamaudio.com/DoC.

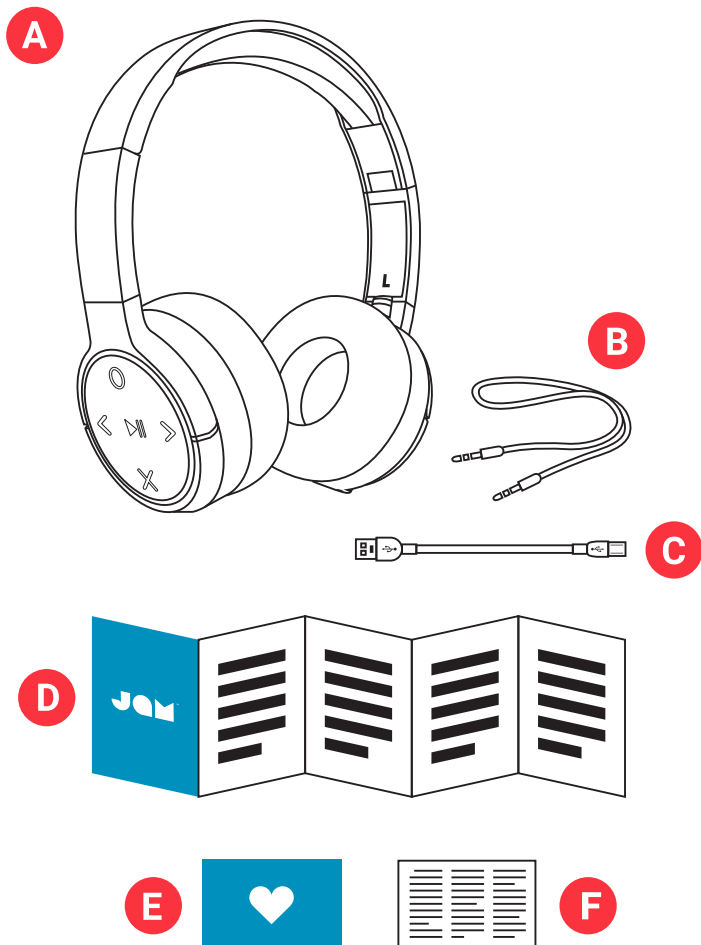


ALREADY THERE

НХ-НР101

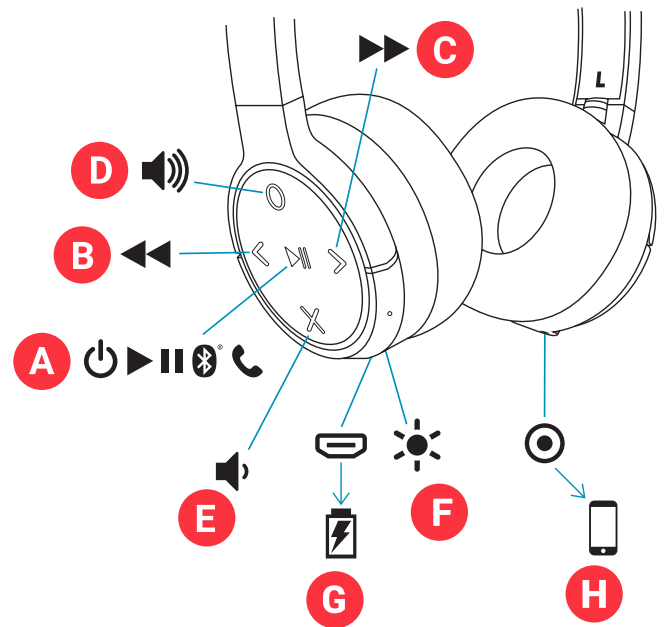
Руководство по эксплуатации

КОМПЛЕКТАЦИЯ



- A – наушники
- B – кабель AUX
- C – зарядный USB-кабель
- D – краткое руководство
- E – приветственная карточка
- F – юридическая информация

ЭЛЕМЕНТЫ УПРАВЛЕНИЯ



- A – кнопка вкл./выкл./ воспроизведение/пауза
- B – предыдущий трек
- C – следующий трек
- D – увеличить громкость
- E – уменьшить громкость
- F – светодиодный индикатор
- G – зарядное гнездо
- H – гнездо AUX In

НАСТРОЙКА

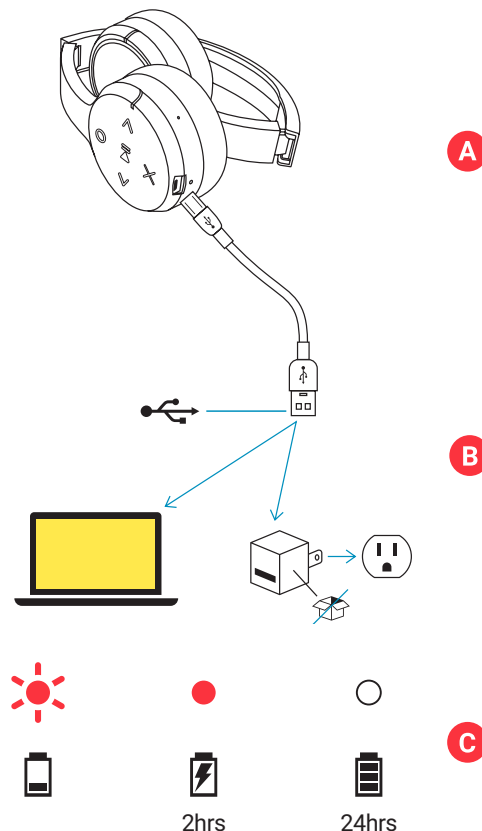
ЗАРЯДКА НАУШНИКОВ

Наушники «Already There» получают питание от аккумулятора. Несмотря на то что наушники поставляются в заряженном состоянии, необходимо зарядить их перед первым использованием, чтобы обеспечить оптимальное время воспроизведения.

A – Размотайте зарядный кабель и вставьте штекер Micro USB в зарядное гнездо на наушниках.

B – Большой штекер USB подключите к компьютеру или сетевому адаптеру питания USB. Сетевой адаптер не входит в комплект поставки, но можно использовать адаптер от сотового телефона или приобрести его отдельно.

C – Когда светодиод мигает красным, это значит, что аккумулятор разряжен и пришло время подключить устройство к источнику питания для зарядки. Зарядки в течение 2 часов достаточно, чтобы обеспечить до 24 часов воспроизведения; во время зарядки светодиод будет гореть красным. После окончания зарядки светодиод отключится.



ИСПОЛЬЗОВАНИЕ НАУШНИКОВ

A – ВКЛЮЧЕНИЕ

Чтобы включить наушники, нажмите и удерживайте кнопку «воспроизведение/пауза» в течение 3 секунд.

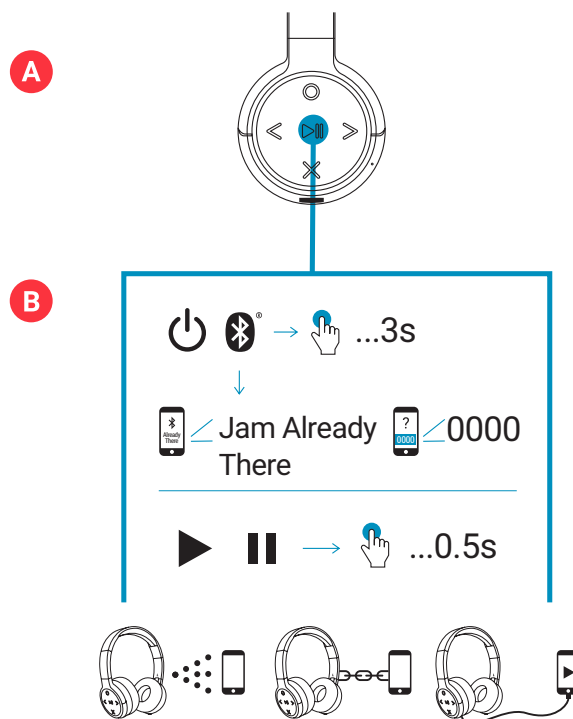
B – ПОДКЛЮЧЕНИЕ К УСТРОЙСТВУ

После включения наушники немедленно начнут искать устройство для сопряжения; при этом светодиод будет мигать попеременно красным и синим. Включите Bluetooth® на устройстве. В меню Bluetooth® выберите пункт «Jam Already There». После подключения Already There к устройству раздастся звуковой сигнал, а светодиод загорится синим.

После сопряжения устройство и наушники будут всегда подключаться друг к другу, если на устройстве включен Bluetooth®. В случае подключения к компьютеру придется выполнить несколько дополнительных действий. Соответствующую информацию можно узнать у производителя компьютера.

В зависимости от устройства может потребоваться ввод кода сопряжения. В этом случае введите код «0000». Чтобы отключить сопряженное устройство, одновременно нажмите и удерживайте кнопки «<<» и «>>» в течение 3 секунд.

Вы также можете подключить устройство к Already There через кабель AUX. После подключения кабеля светодиод загорится красным.



С – ФУНКЦИИ КНОПОК

Для воспроизведения музыки нажмите и удерживайте кнопку «воспроизведение/пауза» в течение 0,5 секунды. Чтобы увеличить громкость, нажмите кнопку «O»; чтобы уменьшить громкость – кнопку «X». Чтобы перейти к следующему треку, нажмите и удерживайте кнопку «>»; чтобы перейти к предыдущему треку, нажмите и удерживайте кнопку «<».

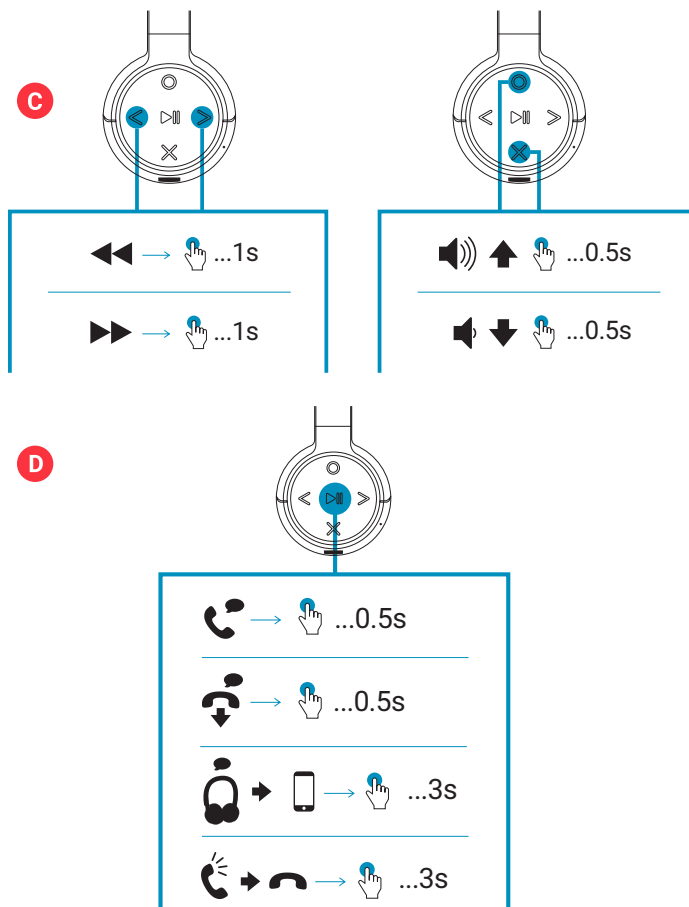
D – ВЫЗОВЫ

Если во время прослушивания музыки поступает вызов, кратковременно нажмите кнопку «воспроизведение/пауза», чтобы принять его; после окончания разговора еще раз кратковременно нажмите эту кнопку, чтобы завершить вызов.

Если в процессе разговора необходимо перевести вызов с наушников на телефон для обеспечения конфиденциальности, длительно нажмите кнопку «воспроизведение/пауза».

Если вы не хотите отвечать на входящий вызов, длительно нажмите кнопку «воспроизведение/пауза», чтобы перенаправить его на голосовую почту.

* Подробное описание функций кнопок и сигналов светодиодного индикатора приведено в таблицах ниже.



СИГНАЛЫ СВЕТОДИОДА

ЗАРЯДКА

Мигающий красный каждые 5 секунд	Низкий заряд аккумулятора
Немигающий красный	Зарядка
Светодиод не горит	Зарядка окончена

ВО ВРЕМЯ ИСПОЛЬЗОВАНИЯ НАУШНИКОВ

Мигающий синий и красный	Режим сопряжения
Мигающий синий каждые 5 секунд	Выполнено сопряжение с устройством

ОСНОВНЫЕ ФУНКЦИИ

ПИТАНИЕ

Включение / выключение питания	Длительное нажатие кнопки Воспроизведение/пауза
--------------------------------	---

МУЗЫКА

Воспроизведение/пауза	Кратковременное нажатие кнопки Воспроизведение/пауза
Увеличение громкости	Кратковременное нажатие кнопки O
Уменьшение громкости	Кратковременное нажатие кнопки X
Переход к следующему треку	Длительное нажатие кнопки >
Переход к предыдущему треку	Длительное нажатие кнопки <

ТЕЛЕФОННЫЕ ВЫЗОВЫ

Принять вызов	Кратковременное нажатие кнопки воспроизведение/пауза
Отклонить вызов	Длительное нажатие кнопки воспроизведение/пауза
Завершить вызов	Кратковременное нажатие кнопки воспроизведение/пауза
Принять вызов по второй линии	Кратковременное нажатие кнопки воспроизведение/пауза
Отклонить вызов по второй линии	Длительное нажатие кнопки воспроизведение/пауза
Перевести активный вызов с наушников на устройство	Длительное нажатие кнопки воспроизведение/пауза

ЮРИДИЧЕСКАЯ ИНФОРМАЦИЯ

ПЕРЕД ИСПОЛЬЗОВАНИЕМ ПРОЧИТАЙТЕ ВСЕ ИНСТРУКЦИИ И СОХРАНИТЕ ИХ НА БУДУЩЕЕ.

ГАРАНТИЯ — ВЕЛИКОБРИТАНИЯ И ЕВРОПА

Компания JAM гарантирует отсутствие дефектов с точки зрения качества материала и изготовления данного изделия в течение 2 лет со дня приобретения. Настоящая гарантия не распространяется на повреждения, возникшие в результате неправильной эксплуатации, аварии, подключения недопустимых устройств, внесения изменений в изделия или любых других условий, не зависящих от компании JAM. В Европейском союзе дистрибьютором является компания FKA Brands Ltd, Somerhill Business Park, Tonbridge, TN11 0GP, UK (Великобритания). почта: support.row@fkabrands.com.

ПРАВИЛА БЕЗОПАСНОСТИ

ПЕРЕЖДЕ ЧЕМ ИСПОЛЬЗОВАТЬ ИЗДЕЛИЕ, ОЗНАКОМЬТЕСЬ СО ВСЕМИ ИНСТРУКЦИЯМИ

ПРЕДУПРЕЖДЕНИЕ. Не забывайте об осторожности.

Во избежание повреждения слуха проверяйте уровень громкости устройства перед тем, как надеть наушники. Надев наушники, постепенно увеличивайте громкость до нужного уровня.

- Используйте данное изделие только по прямому назначению согласно приведенному в настоящем руководстве описанию. Не используйте с изделием устройства, которые не рекомендованы компанией Jam.
- Компания Jam не несет ответственности за повреждения смартфонов, плееров iPod, MP3-плееров или любых других устройств.
- Не кладите и не храните данное изделие в местах, откуда его можно столкнуть или уронить в ванну или раковину.
- Не кладите и не роняйте изделие в воду или любую другую жидкость.
- Не давать детям! ЭТО НЕ ИГРУШКА.
- Не используйте данное изделие, если у него поврежден шнур, вилка, кабель или корпус.
- Не располагайте изделие вблизи нагретых поверхностей.
- Изделие можно класть только на сухую поверхность. Не помещайте изделие на мокрые от воды или моющего раствора поверхности.

ПРЕДУПРЕЖДЕНИЕ. В данном изделии используется встроенная литиевая батарея, не подлежащая замене. Утилизируйте ее в соответствии с указаниями местных органов вашего региона и страны. Батареи (батареиный блок или установленные батареи) не должны подвергаться чрезмерному нагреву, например в результате воздействия солнечного света, огня и т. п.

ЗАМЕНА ЭЛЕМЕНТОВ ПИТАНИЯ

В состав наушников входит перезаряжаемый аккумулятор, рассчитанный на весь срок службы изделия. В маловероятном случае, если вам потребуется замена батареи, обратитесь в службу по работе с потребителями, где вам предоставят подробную информацию о гарантийном и негарантийном обслуживании по замене батареи. Данное изделие содержит мелкие детали, которыми маленькие дети могут поперхнуться.

ВНИМАНИЕ! Ремонт данного изделия производится только уполномоченным ремонтно-обслуживающим персоналом компании Jam Audio. Полное руководство пользователя и информацию по регистрации изделия см. на сайте www.jamaudio.com (США), canada.jamaudio.com (Канада) или uk.jamaudio.com/instructionbooks (Великобритания).



Во избежание возможного повреждения слуха не слушайте устройство на большой громкости в течение длительного времени.



ПОЯСНЕНИЕ WEEE

Эта маркировка означает, что на всей территории ЕС изделие нельзя утилизировать вместе с другими бытовыми отходами. Для предотвращения возможного вреда окружающей среде или здоровью человека от неконтролируемой утилизации отходов сдавайте их на переработку с целью повторного использования ценных материалов.



ДИРЕКТИВА ПО ЭЛЕМЕНТАМ ПИТАНИЯ

Этот символ означает, что аккумуляторы нельзя выбрасывать в бытовые отходы, поскольку они содержат вещества, которые могут нанести ущерб окружающей среде и здоровью. Утилизируйте их в специальных пунктах сбора.

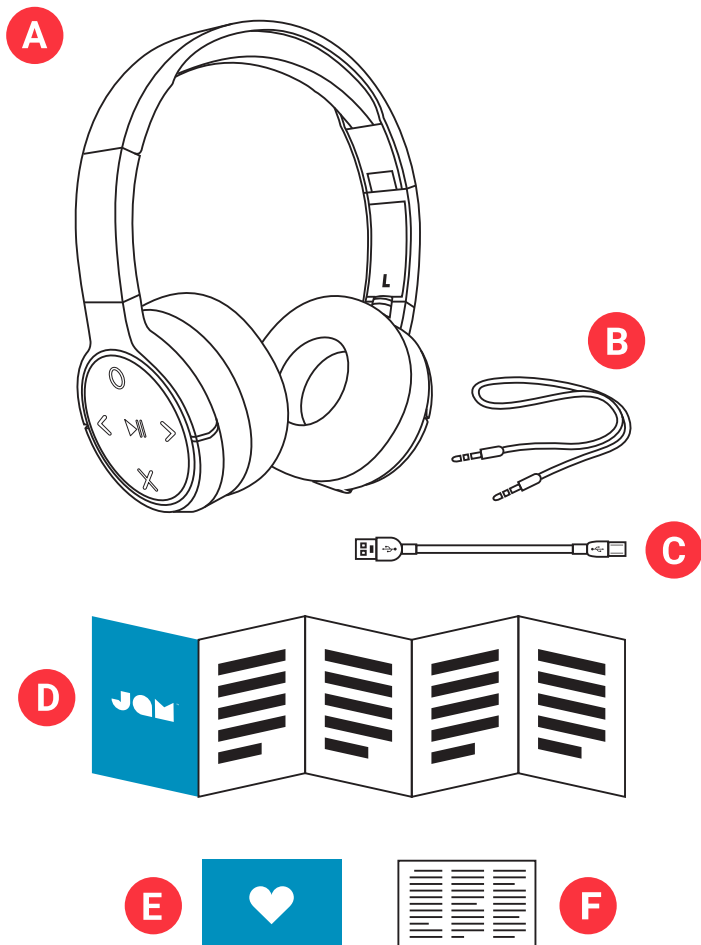
Настоящим компания FKA Brands Ltd заявляет, что данное радиоустройство соответствует основным требованиям и другим соответствующим положениям директивы 2014/53/EU. С копией декларации о соответствии можно ознакомиться по ссылке uk.jamaudio.com/DoC.



ALREADY THERE

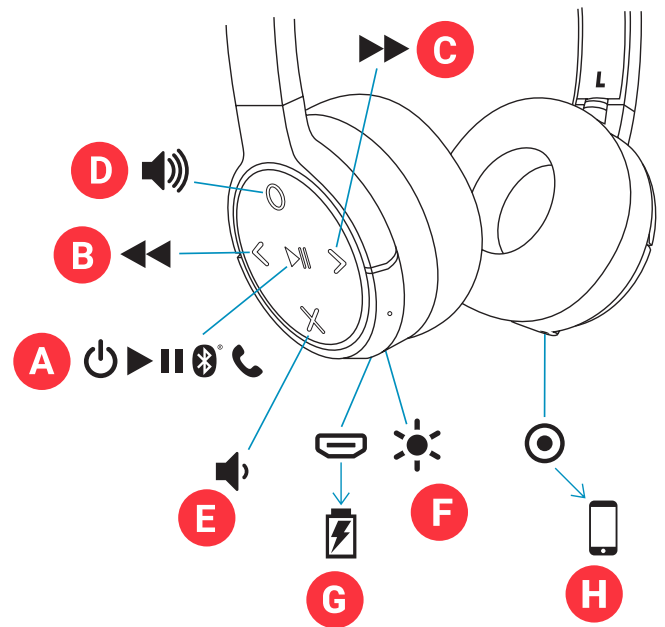
HX-HP101
Instruksjonshefte

INNHOLD



- A – hodetelefoner
- B – AUX-kabel
- C – USB-ladekabel
- D – hurtigveiledning
- E – velkomstkort
- F – kort med rettslig informasjon

KONTROLLER



- A – av/på-knapp/spill-/pause-knapp
- B – forrige spor
- C – neste spor
- D – øk lydstyrken
- E – reduser lydstyrken
- F – LED-indikator
- G – ladeport
- H – AUX-inngang

KLARGJØRE UTSTYRET

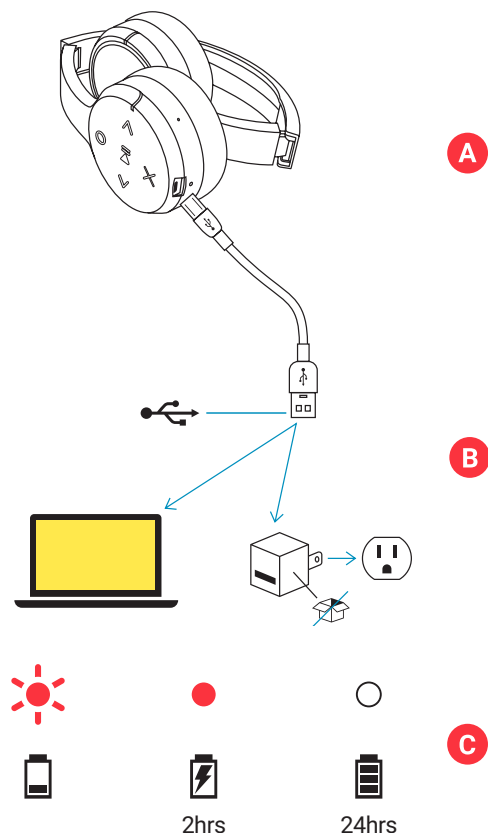
LADE HODETELEFONENE

«Already There»-hodetelefonene får strøm fra et oppladbart batteri. Hodetelefonene leveres ladet – sørg likevel for å lade dem før første gangs bruk, for optimal spilletid.

A – Pakk opp ladekabelen, og sett mikro-USB-enden i ladeporten på hodetelefonene.

B – Koble den større USB-kontakten til datamaskinen eller en strømdrevet USB-vekselstrømadapter. Vekselstrømadapteren medfølger ikke, men du kan bruke den du har til mobiltelefonen, eller kjøpe en neste gang du er i butikken.

C – Når LED-indikatoren blinker rødt, er det lite strøm på batteriet, og det er på tide å koble det til og lade på nytt. Lad batteriet i cirka to timer for å få inntil 24 timers spilletid. LED-indikatoren lyser rødt under lading. Når batteriet er fulladet, slukkes LED-indikatoren.



BRUK

A – SLÅ PÅ HODETELFONENE

Hold «spill-/pause»-knappen inne i tre sekunder for å slå på hodetelefonene.

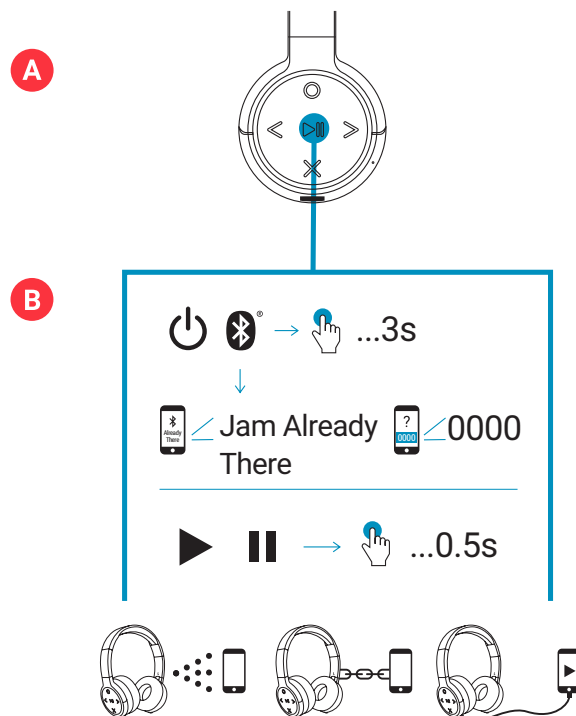
B – KOBLE TIL EN ENHET

Når hodetelefonene slås på, begynner de straks å søke etter en enhet for sammenkobling. LED-indikatoren blinker vekselvis rødt og blått. Aktiver Bluetooth® på enheten. Velg «Jam Already There» på Bluetooth®-menyen. Når enheten er sammenkoblet med «Already There», hører du et lydsignal og LED-indikatoren lyser blått.

Når enheten og hodetelefonene er sammenkoblet, finner de hverandre hver gang så fremt Bluetooth® er aktivert på enheten. Hvis du kobler til en datamaskin, må du kanskje gjøre noe mer der også. Denne informasjonen skaffer du hos produsenten av datamaskinen.

Du kan bli bedt om å angi en sammenkoblingskode, avhengig av enheten. Bruk i så fall koden «0000». Hvis du holder knappene «<<» og «>>» inne samtidig i 3 sekunder, frakobles en enhet som er sammenkoblet.

Du kan også koble enheten til Already There med en AUX-kabel, som medfølger. Når denne er tilkoblet, lyser LED-indikatoren rødt.



C – KNAPEFUNKSJON

Trykk kort på «spill-/pause»-knappen i et halvt sekund for å spille musikk. Øk lydstyrken ved å trykke kort på «O»-knappen. Reduser lydstyrken ved å trykke kort på «X»-knappen. Hopp forover til neste spor ved å trykke lenger på «>»-knappen. Hopp bakover til forrige spor ved å trykke lenger på «<»-knappen.

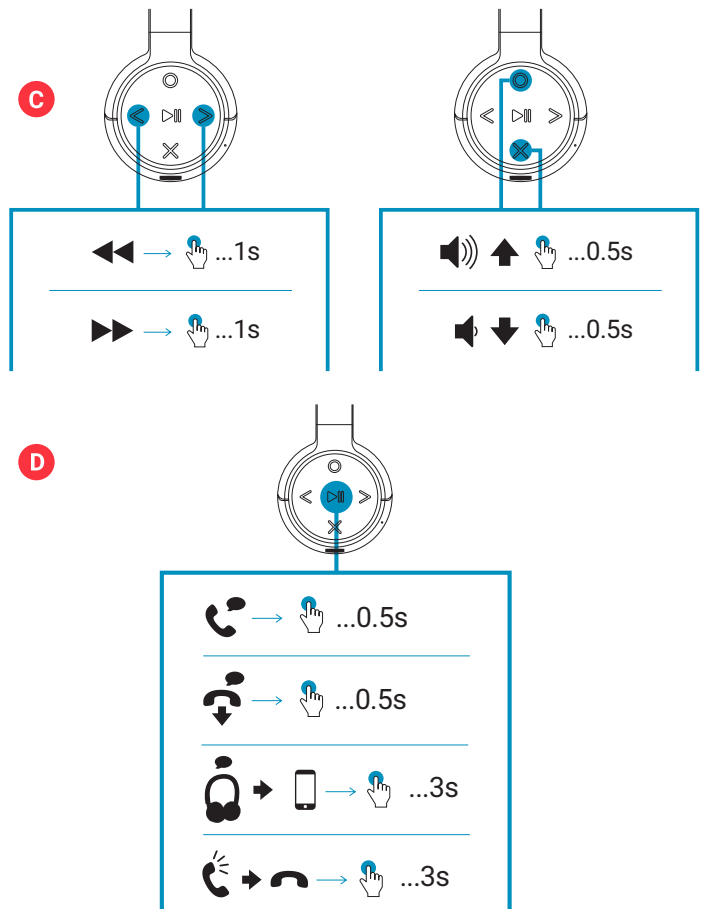
D – HÅNTERE ANROP

Hvis noen ringer mens du hører på musikk, kan du trykke kort på «spill/pause»-knappen for å svare. Trykk kort en gang til for å avslutte samtalen når du er ferdig.

Hvis du vil gjøre samtalen privat mens du snakker, kan du trykke lenger på «spill/pause»-knappen for å flytte samtalen fra hodetelefonene til mobilen.

Hvis det kommer et anrop som du ikke vil svare på, kan du trykke lenger på «spill/pause»-knappen for å sende anropet til personsvar.

*Tabellene nedenfor viser fullstendige knappesfunksjoner og tolkning av LED-indikatorer.



LED-INDIKATORER

LADER

Blinker rødt hvert femte sekund	Lavt batterinivå
Lyser rødt	Lader
LED-indikator av	Lading fullført

I BRUK

Blinker blått og rødt	Sammenkoblingsmodus
Blinker blått hvert femte sekund	Sammenkoblet med enheten

GRUNNLEGGENDE FUNKSJONER

AV/PÅ

Slå av/på	Trykk lenger på spill-/pause-knappen
-----------	--------------------------------------

MUSIKK

Spill/pause	Trykk kort på spill-/pause-knappen
Øk lydstyrken	Trykk kort på O-knappen
Reduser lydstyrken	Trykk kort på X-knappen
Hopp forover til neste spor	Trykk lenger på >-knappen
Hopp bakover til forrige spor	Trykk lenger på <-knappen

ANROP

Svar på et anrop	Trykk kort på spill-/pause-knappen
Avvis et anrop	Trykk lenger på spill-/pause-knappen
Avslutt en samtale	Trykk kort på spill-/pause-knappen
Svar på et nytt anrop	Trykk kort på spill-/pause-knappen
Avvis et nytt anrop	Trykk lenger på spill-/pause-knappen
Flytt aktiv samtale fra hodetelefonene til enheten	Trykk lenger på spill-/pause-knappen

JURIDISK INFORMASJON

LES GJENNOM ALLE ANVISNINGER FØR BRUK OG LAGRE DISSE ANVISNINGENE FOR FREMTIDIG REFERANSE.

GARANTI – STORBRIANNIA OG EUROPA

JAM garanterer at dette produktet er uten mangler i materialer eller utførelse i en periode på to år fra kjøpsdatoen. Denne garantien dekker ikke skade som oppstår som følge av feilbruk eller misbruk, ulykke, tilkobling av uautorisert tilleggsutstyr, endring av produktet, eller andre forhold som JAM ikke har kontroll over. Distribueres i EU av FKA Brands Ltd, Somerhill Business Park, Tonbridge, TN11 0GP, UK. E-post: support.row@fkabrand.com.

VIKTIGE SIKKERHETSANVISNINGER

LES ALLE ANVISNINGENE FØR BRUK

ADVARSEL: Lytt på en ansvarsfull måte. Unngå hørselsskade: Reduser lydstyrken på enheten før du kobler til hodetelefonene. Etter at du har satt hodetelefonene på ørene, øker du lydstyrken gradvis til du når et behagelig lyttevolum.

- Bruk bare dette produktet slik det er tiltenkt, som beskrevet i denne bruksanvisningen. Bruk ikke tilleggsutstyr som ikke er anbefalt av Jam.
- Jam er ikke erstatningsansvarlig for eventuell skade som måtte oppstå på smarttelefoner, iPod/MP3-spillere eller noen andre enheter.
- Dette produktet skal ikke legges eller oppbevares slik at det kan falle ned i, eller mistes ned i, et badekar eller en vask.
- Produktet skal ikke legges eller slippes ned i vann eller annen væske.
- Skal ikke brukes av barn. DETTE ER IKKE ET LEKETØY.
- Bruk ikke dette produktet hvis ledning, støpsel, kabel eller deksel er skadet.
- Holdes på god avstand fra varme flater.
- Skal bare legges på tørre flater. Legg ikke produktet på en flate som er våt av vann eller rengjøringsmidler.

ADVARSEL: Dette produktet inneholder et internt litiumbatteri som ikke kan skiftes ut. Kast produktet i samsvar med lokale, regionale og nasjonale retningslinjer. Batterier (batteripakke eller batterier montert) skal ikke utsettes for overdreven varme som solskinn, ild eller tilsvarende.

UTSKIFTING AV BATTERIET

Øreproppene/hodetelefonene inkluderer et oppladbart batteri designet for å vare hele levetiden til produktet. Hvis det usannsynlige skulle inntreffe at du trenger et utskiftingsbatteri, kontakter du forbrukerservice som gir opplysninger om utskifting av batteriet under og utenfor garantien. Dette produktet inneholder små deler som kan utgjøre kvelningsfare for små barn.

FORSIKTIG: All service/repasjon av dette produktet skal kun utføres av servicepersonell som er autorisert av Jam Audio. Hvis du vil ha fullstendig brukerveiledning og vil registrere produktet, gå til www.jamaudio.com (USA), canada.jamaudio.com (Canada) eller uk.jamaudio.com/instructionbooks (UK).



Pass på at du ikke lytter ved høyt volum i lengre tid for å unngå faren for hørselsskade.



FORKLARING AV WEEE

Denne merkingen angir at dette produktet ikke skal kastes sammen med annet husholdningsavfall i hele EU. Gjenvinn produktet ansvarlig for å fremme bærekraftig gjenbruk av materialressurser for å forhindre mulig skade på miljøet eller menneskelig helse fra ukontrollert kasting av avfall.



BATTERIDIREKTIVET

Dette symbolet angir at batterier ikke skal kastes i husholdningsavfall siden det inneholder stoffer som kan være skadelig for miljøet og helsen. Kast batterier på angitte innsamlingspunkter.

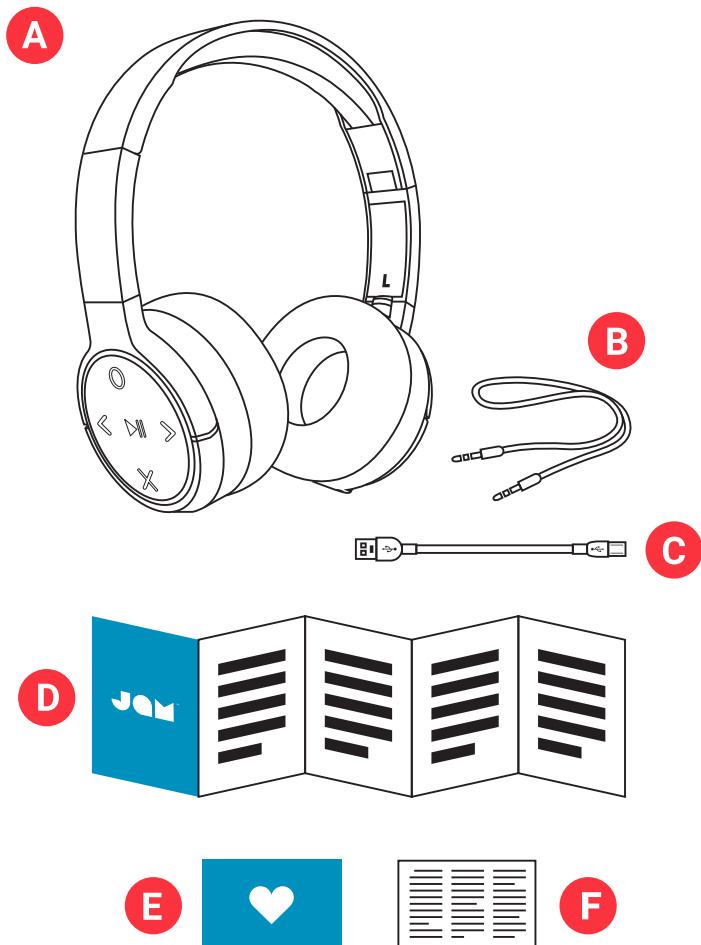
FKA Brands Ltd erklærer herved at denne radioenheten er i samsvar med de essensielle kravene og andre relevante bestemmelser i direktiv 2014/53/EU. Et eksemplar av samsvarserklæringen kan hentes fra uk.jamaudio.com/DoC.



ALREADY THERE

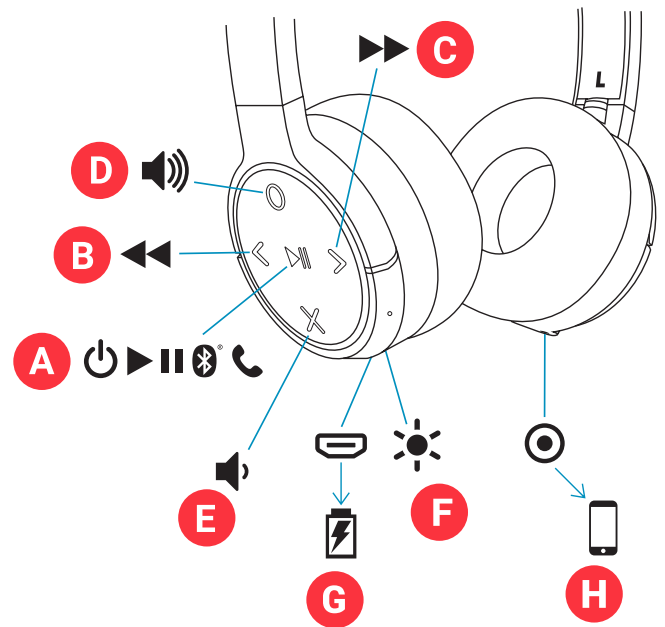
HX-HP101
Βιβλίο οδηγιών

ΠΕΡΙΕΧΟΜΕΝΑ



- A – Ακουστικά
- B – Καλώδιο βοηθητικής θύρας AUX
- C – Καλώδιο φόρτισης USB
- D – Συνοπτικός οδηγός
- E – Κάρτα Καλωσορίσματος
- F – Κάρτα νομικής κοινοποίησης

ΧΕΙΡΙΣΤΗΡΙΑ



- A – Κουμπί ενεργοποίησης/ απενεργοποίησης/αναπαραγωγής/παύσης
- B – προηγούμενο κομμάτι
- C – επόμενο κομμάτι
- D – Αύξηση έντασης ήχου
- E – Μείωση έντασης ήχου
- F – Φωτεινή ένδειξη LED
- G – Θύρα φόρτισης
- H – Βοηθητική θύρα εισόδου

ΡΥΘΜΙΣΗ

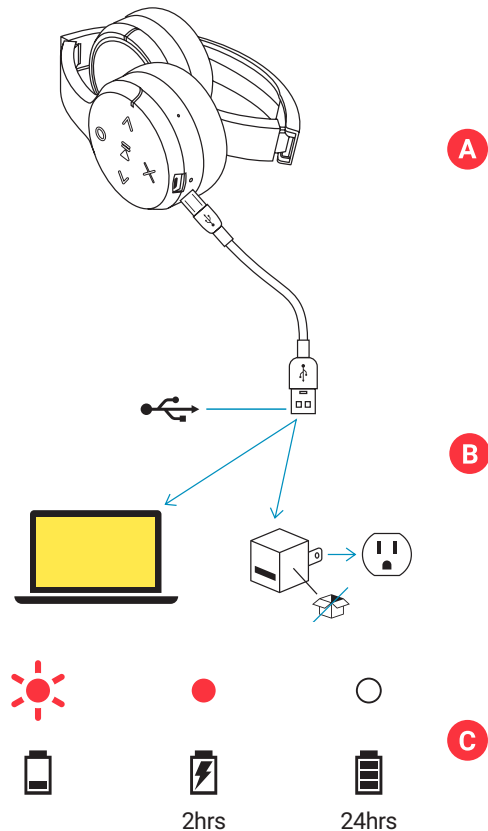
ΦΟΡΤΙΣΗ ΤΩΝ ΑΚΟΥΣΤΙΚΩΝ ΣΑΣ

Τα ακουστικά «Already There» τροφοδοτούνται από επαναφορτιζόμενη μπαταρία. Τα ακουστικά διατίθενται προ-φορτισμένα. Ωστόσο, για βέλτιστο χρόνο αναπαραγωγής, βεβαιωθείτε να τα φορτίσετε πριν την πρώτη χρήση.

A – Ξετυλίξτε το καλώδιο φόρτισης και συνδέστε το άκρο micro USB στη θύρα φόρτισης στα ακουστικά.

B – Συνδέστε το μεγαλύτερο βύσμα USB στον υπολογιστή σας ή έναν τροφοδοτημένο μετασχηματιστή USB AC. Ο μετασχηματιστής AC δεν περιλαμβάνεται στη συσκευασία, αλλά μπορείτε να χρησιμοποιήσετε το μετασχηματιστή του κινητού σας τηλεφώνου ή να αγοράσετε έναν την επόμενη φορά που θα είστε στο κατάστημα.

C – Όταν η ένδειξη LED αναβοσβήνει με κόκκινο χρώμα, καθορίζει χαμηλή στάθμη μπαταρίας και είναι ώρα να τη συνδέσετε και επαναφορτίσετε. Φορτίστε περίπου 2 ώρες για να έχετε έως και 24 ώρες χρόνου αναπαραγωγής* κατά τη φόρτιση, η ένδειξη θα παραμείνει σταθερά κόκκινη. Μόλις φορτιστεί πλήρως η μπαταρία, η ένδειξη LED θα σβήσει.



ΧΡΗΣΗ

A – ΕΝΕΡΓΟΠΟΙΗΣΤΕ ΤΑ ΑΚΟΥΣΤΙΚΑ

Πατήστε παρατεταμένα το κουμπί «αναπαραγωγής/παύσης» για 3 δευτερόλεπτα για να ενεργοποιήσετε τα ακουστικά.

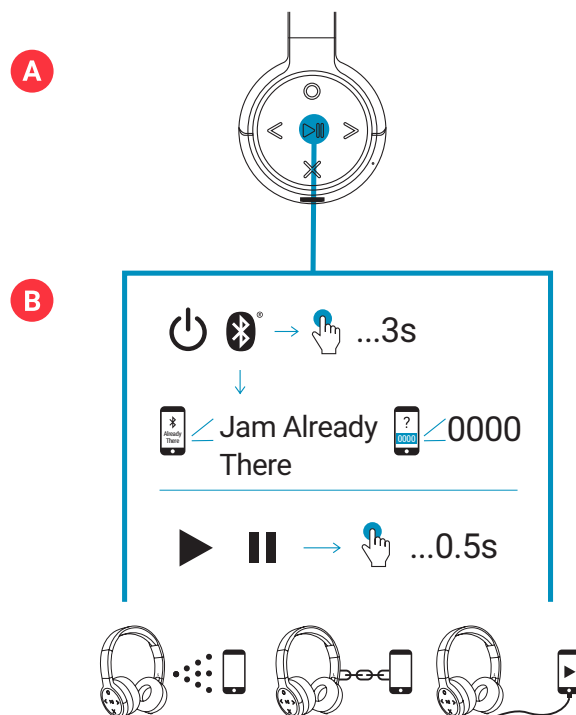
B – ΣΥΝΔΕΣΗ ΜΕ ΜΙΑ ΣΥΣΚΕΥΗ

Μόλις ενεργοποιηθούν τα ακουστικά, θα αναζητήσουν αμέσως μια συσκευή για σύζευξη· η ένδειξη LED θα αναβοσβήνει εναλλακτικά με κόκκινο και μπλε χρώμα. Ενεργοποιήστε το Bluetooth® στη συσκευή σας. Από το μενού Bluetooth®, επιλέξτε “Already There.” Όταν η συσκευή και το Already There συνδεθούν, θα ακούσετε ένα τόνο και η ένδειξη LED θα γίνει σταθερή μπλε.

Αφού γίνει η σύζευξη, η συσκευή και τα ακουστικά σας θα βρίσκουν το ένα το άλλο κάθε φορά, εφ’ όσον είναι ενεργοποιημένο το Bluetooth® της συσκευής σας. Εάν συνδέεστε σε υπολογιστή, μπορεί να έχετε μερικά ακόμη βήματα για αυτό το αποτέλεσμα. Θα πρέπει να λάβετε αυτές τις πληροφορίες από την εταιρεία του υπολογιστή σας.

Ανάλογα με τη συσκευή σας, μπορεί να σας ζητηθεί να εισαγάγετε έναν κωδικό σύζευξης. Εάν ναι, χρησιμοποιήστε τον κωδικό «0000». Κρατώντας πατημένα τα κουμπιά «<<» και «>>» ταυτόχρονα, για 3 δευτερόλεπτα, θα αποσυνδέσετε μια συζευγμένη συσκευή.

Μπορείτε επίσης να συνδέσετε τη συσκευή σας στο Already There με ένα καλώδιο στη βοηθητική θύρα AUX, το οποίο περιλαμβάνεται. Όταν συνδεθεί, η ένδειξη θα γίνει συνεχής κόκκινη.



C – ΛΕΙΤΟΥΡΓΙΑ ΚΟΥΜΠΙΩΝ

Πατήστε στιγμιαία το κουμπί «αναπαραγωγής/παύσης» για 0,5 δευτερόλεπτα για να ακούσετε τη μουσική σας. Για να αυξήσετε την ένταση του ήχου, πατήστε στιγμιαία το κουμπί «Ο» και για να μειώσετε την ένταση, πατήστε στιγμιαία το κουμπί «Χ». Για να μεταβείτε στο μεθεπόμενο κομμάτι, πατήστε παρατεταμένα το κουμπί «>». Για να μεταβείτε στο πριν το προηγούμενο κομμάτι, πατήστε παρατεταμένα το κουμπί «<».

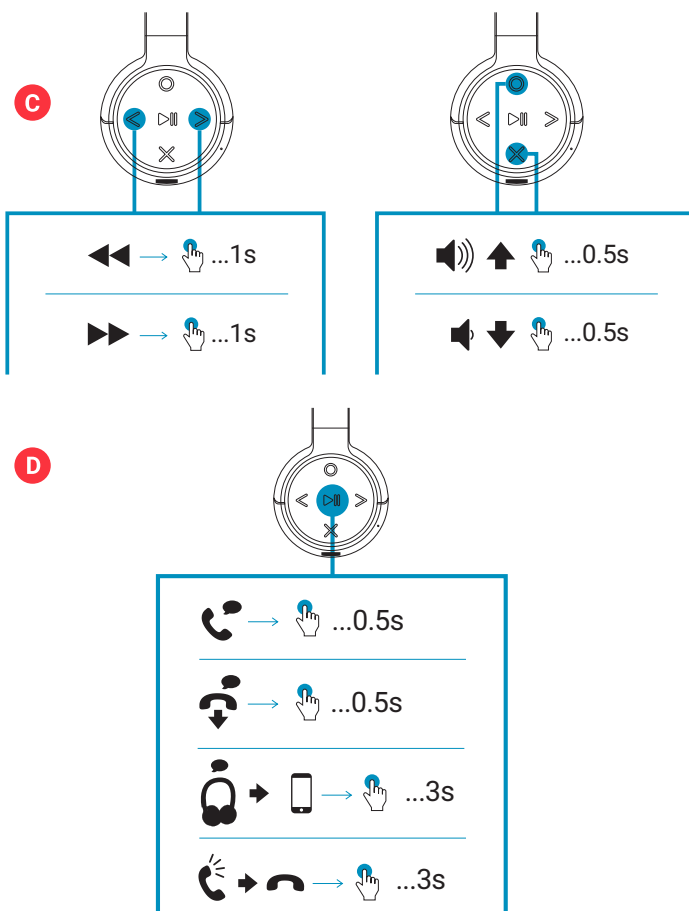
D – ΧΕΙΡΙΣΜΟΣ ΚΛΗΣΕΩΝ

Καθώς ακούτε τη μουσική σας, εάν δεχτείτε μια κλήση, πατήστε στιγμιαία το κουμπί «αναπαραγωγής/παύσης» για να δεχτείτε την κλήση. Πατήστε το στιγμιαία και πάλι όταν τελειώσετε, για να τελειώσετε την κλήση.

Κατά τη διάρκεια μιας κλήσης, εάν θέλετε να την κάνετε ιδιωτική, πατήστε παρατεταμένα το κουμπί «αναπαραγωγής/παύσης» για να μεταφέρετε την κλήση από τα ακουστικά στο τηλέφωνό σας.

Εάν έλθει μία κλήση και δεν θέλετε να απαντήσετε, πατήστε παρατεταμένα το κουμπί «αναπαραγωγής/παύσης» για να στείλετε την κλήση στον τηλεφωνητή.

* Δείτε τους παρακάτω πίνακες για την πλήρη λειτουργία των κουμπιών και την ερμηνεία των ενδείξεων LED.



ΕΝΔΕΙΞΕΙΣ LED

ΦΟΡΤΙΣΗ

Κόκκινο αναβόσβημα κάθε 5 δευτερόλεπτα	Χαμηλή στάθμη μπαταρίας
Σταθερό κόκκινο	Φόρτιση
Σβηστή ένδειξη LED	Η φόρτιση ολοκληρώθηκε

ΣΕ ΧΡΗΣΗ

Αγαβοσβήνει μπλε και κόκκινο	Λειτουργία σύζευξης
Μπλε αναβόσβημα κάθε 5 δευτερόλεπτα	Σύζευξη με τη συσκευή

ΒΑΣΙΚΕΣ ΛΕΙΤΟΥΡΓΙΕΣ

ΙΣΧΥΣ

Ισχύς	Πατήστε παρατεταμένα το κουμπί αναπαραγωγής/παύσης
-------	--

ΜΟΥΣΙΚΗ

Αναπαραγωγής/Παύσης	Πατήστε στιγμιαία το κουμπί αναπαραγωγής/παύσης
Αύξηση έντασης ήχου	Πατήστε στιγμιαία το κουμπί Ο
Μείωση έντασης ήχου	Πατήστε στιγμιαία το κουμπί Χ
Μετάβαση στο μεθεπόμενο κομμάτι	Πατήστε παρατεταμένα το κουμπί >
Μετάβαση στο προ-προηγούμενο κομμάτι	Πατήστε παρατεταμένα το κουμπί <

ΚΛΗΣΕΙΣ

Απαντήστε σε μια κλήση	Πατήστε στιγμιαία το κουμπί αναπαραγωγής/παύσης
Άρνηση μιας κλήσης	Πατήστε παρατεταμένα το κουμπί αναπαραγωγής/παύσης
Τελειώστε μία κλήση	Πατήστε στιγμιαία το κουμπί αναπαραγωγής/παύσης
Απαντήστε σε μια δεύτερη εισερχόμενη κλήση	Πατήστε στιγμιαία το κουμπί αναπαραγωγής/παύσης
Απορρίψτε μια δεύτερη εισερχόμενη κλήση	Πατήστε παρατεταμένα το κουμπί αναπαραγωγής/παύσης
Μεταφορά μιας κλήσης από τα ακουστικά στη συσκευή	Πατήστε παρατεταμένα το κουμπί αναπαραγωγής/παύσης

ΝΟΜΙΚΕΣ ΠΛΗΡΟΦΟΡΙΕΣ

ΔΙΑΒΑΣΤΕ ΟΛΕΣ ΤΙΣ ΟΔΗΓΙΕΣ ΠΡΙΝ ΤΗ ΧΡΗΣΗ ΚΑΙ ΦΥΛΑΞΤΕ ΑΥΤΕΣ ΤΙΣ ΟΔΗΓΙΕΣ ΓΙΑ ΜΕΛΛΟΝΤΙΚΗ ΑΝΑΦΟΡΑ.

ΕΓΓΥΗΣΗ - ΗΝΩΜΕΝΟ ΒΑΣΙΛΕΙΟ & ΕΥΡΩΠΗ

Η JAM εγγυάται ότι για μία περίοδο 2 ετών από την ημερομηνία αγοράς, ότι αυτό το προϊόν δεν θα παρουσιάσει ελαττώματα στο υλικό και την κατασκευή του. Αυτή η εγγύηση δεν καλύπτει τις ζημιές που προκλήθηκαν από ακατάλληλη χρήση ή κακοποίηση του προϊόντος, ατύχημα, προσάρτηση οποιουδήποτε μη εξουσιοδοτημένου παρελκομένου, αλλοίωση του προϊόντος ή οποιουδήποτε άλλους όρους που δεν εμπίπτουν στον έλεγχο της JAM. Διανομή στην ΕΕ από την FKA Brands Ltd, Somerhill Business Park, Tonbridge, TN11 0GP, UK (Ηνωμένο Βασίλειο). Email: support.row@fkabrands.com.

ΣΗΜΑΝΤΙΚΕΣ ΟΔΗΓΙΕΣ ΑΣΦΑΛΕΙΑΣ

ΔΙΑΒΑΣΤΕ ΟΛΕΣ ΟΔΗΓΙΕΣ ΠΡΙΝ ΤΗ ΧΡΗΣΗ

ΠΡΟΕΙΔΟΠΟΙΗΣΗ: Ακούτε υπεύθυνα. Για να αποφύγετε βλάβες στην ακοή, βεβαιωθείτε ότι η ένταση της συσκευής σας είναι μειωμένη πριν συνδέσετε τα ακουστικά. Αφού τοποθετήσετε τα ακουστικά στα αυτιά σας, αυξάνετε σταδιακά την ένταση του ήχου μέχρι να φτάσετε σε μια άνετη ένταση ακρόασης.

- Να χρησιμοποιείτε αυτό το προϊόν μόνο για το σκοπό για τον οποίο προορίζεται, όπως περιγράφεται στο εγχειρίδιο. Μην χρησιμοποιείτε εξαρτήματα τα οποία δεν συνιστά η Jam.
- Η Jam δεν φέρει ευθύνη για οποιαδήποτε ζημιά προκληθεί σε Smartphones, iPod/MP3 player ή σε οποιαδήποτε άλλη συσκευή.
- Μην τοποθετείτε και μην αποθηκεύετε αυτό το προϊόν όπου μπορεί να πέσει ή να γλιστρήσει σε μια μπιανέρα ή νεροχύτη.
- Μην τοποθετείτε ή αφήνετε το προϊόν να πέσει σε νερό ή σε οποιοδήποτε άλλο υγρό.
- Δεν προορίζεται για χρήση από παιδιά. ΑΥΤΟ ΤΟ ΠΡΟΙΟΝ ΔΕΝ ΕΙΝΑΙ ΠΑΙΧΝΙΔΙ.
- Μην χρησιμοποιείτε ποτέ αυτό το προϊόν εάν έχει φθαρμένο καλώδιο, βύσμα, καλώδιο ή περίβλημα.
- Διατηρείτε το μακριά από θερμαινόμενες επιφάνειες.
- Τοποθετείτε το μόνο σε στεγνές επιφάνειες. Μην τοποθετείτε το προϊόν σε επιφάνειες βρεγμένες με νερό ή διαλύτες καθαρισμού.

ΠΡΟΕΙΔΟΠΟΙΗΣΗ: Αυτό το προϊόν διαθέτει εσωτερική, μη αντικαταστάσιμη μπαταρία λιθίου. Παρακαλούμε να το απορρίψετε σύμφωνα με τις τοπικές, πολιτειακές, επαρχιακές και εθνικές σας οδηγίες. Οι μπαταρίες (μπαταρία ή μπαταρίες που έχουν εγκατασταθεί) δεν πρέπει να εκτίθενται σε υπερβολική θερμότητα όπως σε ηλιοφάνεια, φωτιά κλπ.

ΑΝΤΙΚΑΤΑΣΤΑΣΗ ΜΠΑΤΑΡΙΑΣ

Τα ακουστικά σας περιλαμβάνουν μια επαναφορτιζόμενη μπαταρία σχεδιασμένη να διαρκέσει για όλη τη διάρκεια ζωής του προϊόντος. Στην μάλλον απίθανη περίπτωση που θα χρειαστείτε μια μπαταρία αντικατάστασης, παρακαλούμε επικοινωνήστε με το τμήμα Εξυπηρέτησης Καταναλωτών, απ' όπου θα σας παρέχουν λεπτομέρειες σχετικά με την εγγύηση και την αντικατάσταση μπαταριών εκτός εγγύησης. Αυτό το προϊόν περιέχει μικρά εξαρτήματα που ενδέχεται να προκαλέσουν κίνδυνο πνιγμού σε μικρά παιδιά.

ΠΡΟΣΟΧΗ: Όλες οι εργασίες συντήρησης αυτού του προϊόντος πρέπει να εκτελούνται μόνο από εξουσιοδοτημένο προσωπικό συντήρησης της Jam Audio. Για τον πλήρη οδηγό χρήσης και για να καταχωρίσετε το προϊόν σας, επισκεφτείτε τη διεύθυνση www.jamaudio.com (ΗΠΑ) ή canada.jamaudio.com (Καναδάς), ή uk.jamaudio.com/instructionbooks (Ηνωμένο Βασίλειο).



Για να αποφύγετε ενδεχόμενη βλάβη της ακοής σας, μην ακούτε με μεγάλη ένταση για μεγάλο χρονικό διάστημα.



ΕΞΗΓΗΣΗ ΤΟΥ ΟΡΟΥ WEEE

Αυτή η σήμανση υποδηλώνει ότι το προϊόν αυτό δεν πρέπει να απορρίπτεται μαζί με άλλα οικιακά απορρίμματα οπουδήποτε στην Ευρωπαϊκή Ένωση. Για να αποφευχθεί πιθανή ρύπανση στο περιβάλλον ή βλάβη στην ανθρώπινη υγεία από την ανεξέλεγκτη απόρριψη αποβλήτων, ανακυκλώστε το υπεύθυνα για να προωθήσετε τη βιώσιμη επαναχρησιμοποίηση των υλικών πόρων.



ΟΔΗΓΙΑ ΓΙΑ ΤΗ ΜΠΑΤΑΡΙΑ

Αυτό το σύμβολο υποδεικνύει ότι οι μπαταρίες δεν πρέπει να απορρίπτονται στα οικιακά απορρίμματα, επειδή περιέχουν ουσίες που μπορεί να είναι επιβλαβείς για το περιβάλλον και την υγεία. Παρακαλούμε απορρίψτε τις μπαταρίες σε καθορισμένα σημεία συλλογής.

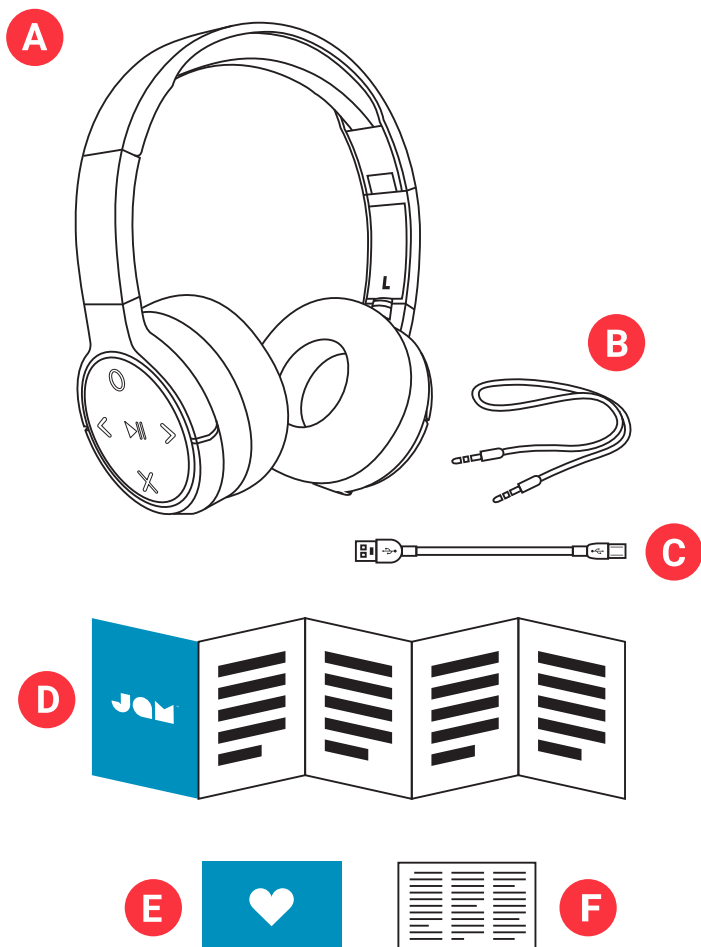
Με την παρούσα, η FKA Brands Ltd δηλώνει ότι αυτή η συσκευή ραδιοσυχνότητας συμμορφώνεται με τις βασικές απαιτήσεις και άλλες σχετικές διατάξεις της οδηγίας 2014/53/ΕΕ. Μπορείτε να λάβετε ένα αντίγραφο της Δήλωσης Συμμόρφωσης από το uk.jamaudio.com/DoC.



ALREADY THERE

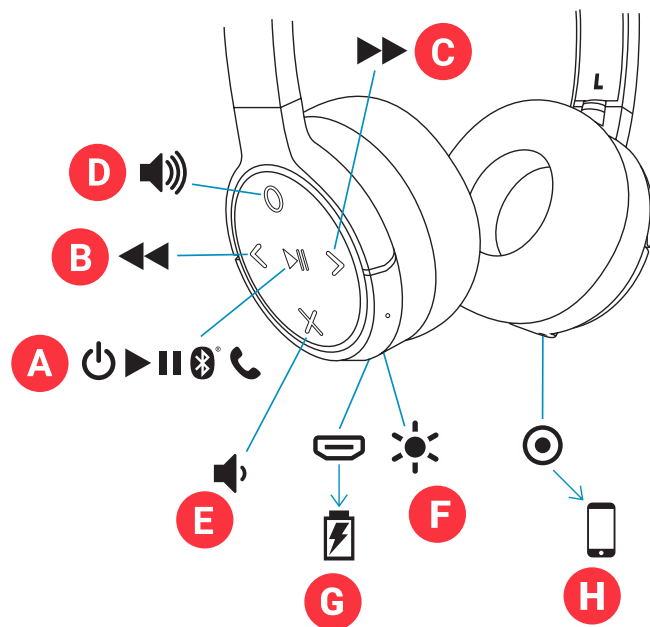
HX-HP101
Kniha pokynů

OBSAH



- A – Sluchátka
- B – Kabel Aux
- C – USB nabíjecí kabel
- D – Průvodce rychlým spuštěním
- E – Karta na uvítanou
- F – Karta s právními informacemi

OVLÁDACÍ PRVKY



- A – Tlačítko Zapnout/Vypnout/Přehrát/Pozastavit
- B – Předchozí skladba
- C – Další skladba
- D – Zvýšení hlasitosti
- E – Snížení hlasitosti
- F – Indikátor LED
- G – Port nabíjení
- H – Port na příslušenství

NASTAVENÍ

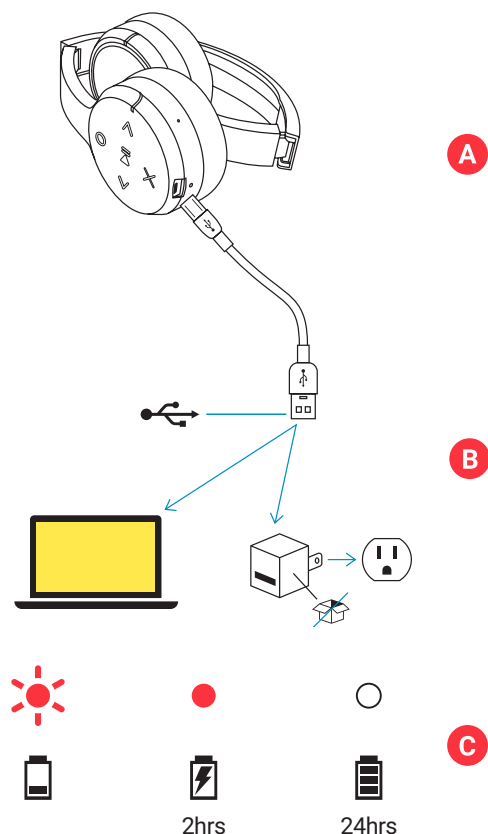
NABÍJENÍ SLUCHÁTEK

Sluchátka „Already There“ jsou napájena dobíjecí baterií. Sluchátka se dodávají již nabitá; abyste však zajistili optimální dobu přehrávání, před prvním použitím sluchátka ještě dobijte.

A – Vybalte integrovaný nabíjecí kabel a zapojte mikrokonektor USB do nabíjecího konektoru sluchátek.

B – Připojte větší konektor USB k počítači nebo k síťovému adaptéru USB. Adaptér pro síťové napájení se nedodává se sluchátky, ale můžete použít svůj adaptér pro mobil nebo si zakoupit nový adaptér, až budete znovu v obchodě.

C – Když indikátor LED bliká červeně, znamená to, že baterie je téměř vybitá a že je čas ji znovu nabít. Nabíjejte ji asi 2 hodiny na 24 hodin času použití. Při nabíjení svítí indikátor nepřerušovaně červeně. Jakmile se plně nabije, indikátor LED přestane svítit.



POUŽITÍ

A – ZAPNUTÍ SLUCHÁTEK

Zapněte sluchátka stisknutím tlačítka „Přehrát/Pozastavit“ na 3 sekundy.

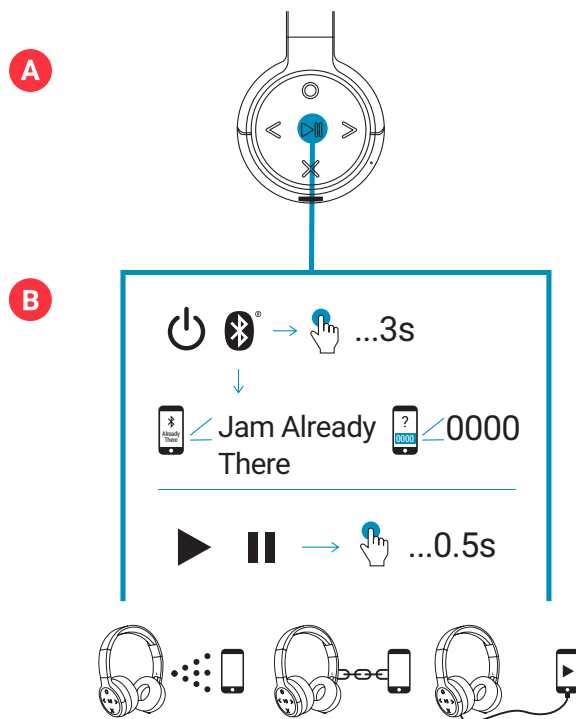
B – PŘIHOJENÍ K ZAŘÍZENÍ

Po zapnutí sluchátka okamžitě vyhledají zařízení, se kterým se mají spárovat; indikátor LED bude střídavě blikat červeně a modře. Zapněte Bluetooth® na svém zařízení. V menu Bluetooth® vyberte „Jam Already There“. Když jsou vaše zařízení a zařízení Already There propojena, uslyšíte tón a kontrolka LED se rozsvítí modře.

Po spárování se zařízení a sluchátka najdou pokaždé, když je zapnutý Bluetooth® na zařízení. Pokud se připojíte k počítači, dosáhnete toho několika málo dalšími kroky. Informace o nich dostanete od výrobce počítače.

Podle toho, o jaké zařízení jde, budete vyzváni, abyste zadali kód pro párování. Pokud se tak stane, použijte kód „0000“. Spárované zařízení se odpojí podržením tlačítka „<“ a „>“ zároveň na 3 sekund.

Své zařízení můžete k Already There připojit také pomocí kabelu Aux, který součástí balení. Po zapojení bude indikátor svítit nepřerušovaně červeně.



C – FUNKCE TLAČÍTEK

Pro přehrávání hudby stiskněte tlačítko „Přehrát/Pozastavit“ na 0,5 sekundy. Pro zvýšení hlasitosti krátce stiskněte tlačítko „O“ ; pro snížení hlasitosti krátce stiskněte tlačítko „X“. Pro přechod na další skladbu podržte tlačítko „>“; pro přechod na předchozí skladbu podržte tlačítko „<“.

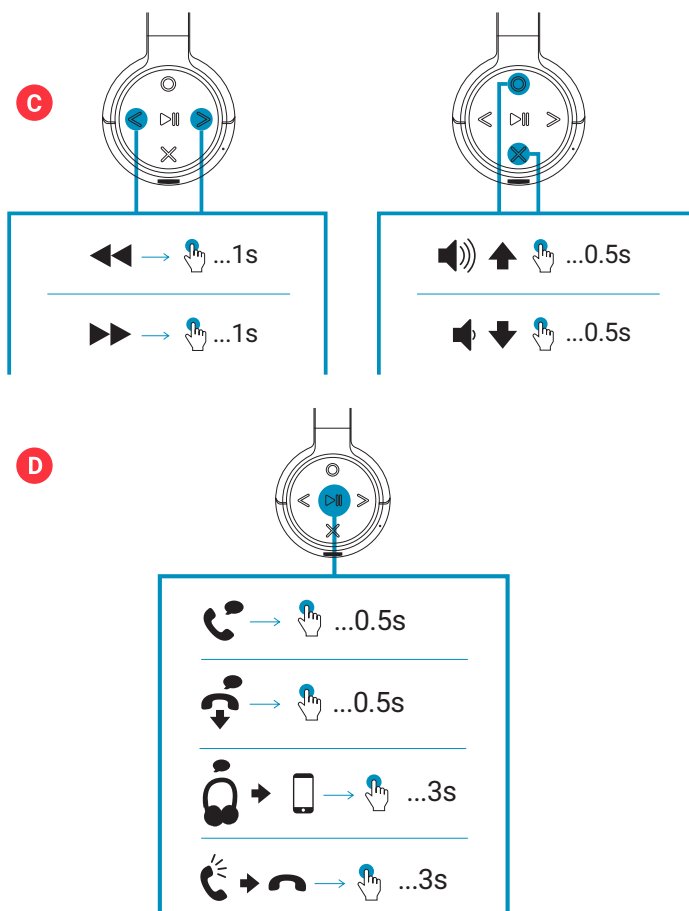
D – HOVORY

Pokud během přehrávání hudby přichází hovor, stiskněte krátce tlačítko „Přehrát/Pozastavit“, abyste přijali hovor; když skončíte, zavěste opět krátkým stisknutím.

Pokud během hovoru chcete, aby byl soukromější, stiskněte dlouze tlačítko „Přehrát/Pozastavit“, abyste přenesli hovor ze sluchátek na telefon

Pokud příchozí hovor přijmout nechcete, stiskněte dlouze tlačítko „Přehrát/Pozastavit“ a hovor se přepne do hlasové schránky.

*Tabulka níže uvádí kompletní funkce tlačítek a vysvětlení signalizace indikátorů LED.



INDIKÁTORY LED

NABÍJENÍ

Blikání červeně každých 5 sekund	Slabá baterie
Nepřerušovaná červená	Nabíjení
LED vyp.	Nabíjení dokončeno

PŘI POUŽITÍ

Blikající modrá a červená	Režim párování
Bliká modře každých 5 sekund	Spárováno se zařízením

ZÁKLADNÍ FUNKCE

NAPÁJENÍ

Vypínač	Stiskněte dlouze tlačítko Přehrát/Pozastavit
---------	--

HUDBA

Přehrát/Pozastavit	Stiskněte krátce tlačítko Přehrát/Pozastavit
Zvýšení hlasitosti	Stiskněte krátce tlačítko O
Snížení hlasitosti	Stiskněte krátce tlačítko X
Přechod na následující skladbu	Stiskněte dlouze tlačítko >
Přechod na předchozí skladbu	Stiskněte dlouze tlačítko <

HOVORY

Přijetí hovoru	Stiskněte krátce tlačítko Přehrát/Pozastavit
Odmítnutí hovoru	Stiskněte dlouze tlačítko Přehrát/Pozastavit
Ukončení hovoru	Stiskněte krátce tlačítko Přehrát/Pozastavit
Přijetí druhého přicházejícího hovoru	Stiskněte krátce tlačítko Přehrát/Pozastavit
Odmítnutí druhého přicházejícího hovoru	Stiskněte dlouze tlačítko Přehrát/Pozastavit
Přesunutí aktivního hovoru ze sluchátek do zařízení	Stiskněte dlouze tlačítko Přehrát/Pozastavit

PRÁVNÍ INFORMACE

PŘED POUŽITÍM SI PEČLIVĚ PŘEČTĚTE VŠECHNY POKYNY A UCHOVEJTE JE PRO BUDOUCÍ POUŽITÍ.

ZÁRUKA – VELKÁ BRITÁNIE A EVROPA

Společnost JAM zaručuje, že tento výrobek nebude mít vady materiálu a zpracování po dobu 2 roků ode dne zakoupení. Tato záruka se nevztahuje na škody způsobené nesprávným použitím nebo zneužitím, nehodou, připojením jakéhokoliv neoprávněného příslušenství, změnou výrobku nebo jakýmkoliv jinými stavy, které jsou mimo kontrolu společnosti JAM. Distributorem v EU je společnost FKA Brands Ltd, Somerhill Business Park, Tonbridge, TN11 0GP, Spojené království. Tel: 0442 1753 3881 Email: support.row@fkabrand.com.

DŮLEŽITÉ POKYNY TÝKAJÍCÍ SE BEZPEČNOSTI

PŘED POUŽITÍM SI PŘEČTĚTE VŠECHNY POKYNY

VAROVÁNÍ: Poslouchejte zodpovědně. Abyste předešli poškození sluchu, ujistěte se, že před připojením sluchátek je hlasitost vašeho přístroje snížena. Po nasazení sluchátek na uši postupně zvyšujte hlasitost, dokud nedosáhnete pohodlného poslechu.


- Tento produkt používejte pouze k určenému účelu, jak je popsáno v této příručce. Nepoužívejte doplňky nedoporučené společností Jam.
- Společnost Jam nezodpovídá za škody způsobené smartphony, zařízeními iPod / přehrávači MP3 nebo jinými zařízeními.
- Neumísťujte ani neukládejte tento výrobek tam, kde by mohl spadnout nebo být upuštěn do vany nebo umyvadla.
- Zařízení neumísťujte ani neupouštějte do vody ani do jiné kapaliny.
- Nenechte používat dětmi. TOTO NENÍ HRAČKA.
- Tento produkt nikdy nepoužívejte, pokud má poškozený kabel, zástrčku, kabel nebo pouzdro.
- Uchovávejte mimo horké povrchy.
- Umísťujte pouze na suché povrchy. Neumísťujte na povrch zvlhlý vodou nebo čisticími prostředky.

VAROVÁNÍ: Tento výrobek má vnitřní, nevyměnitelnou lithiovou baterii. Likvidaci proveďte v souladu s pokyny místními, státními a provinčními pokyny. Baterie (integrováné nebo vkládané baterie) nesmí být vystaveny zdrojům nadměrného tepla, jako jsou sluneční paprsky, oheň apod.

VÝMĚNA BATERIE

Sluchátka obsahují dobíjecí baterii konstruovanou tak, aby vydržela životnost produktu. V nepravděpodobné situaci, kdy byste měli požadovat náhradní baterii, se obraťte na oddělení zákaznického servisu, kde vám poskytnou informace o záruční výměně baterie. Tento výrobek obsahuje malé části, které mohou představovat nebezpečí udušení pro malé děti.

UPOZORNĚNÍ: Veškeré opravy tohoto produktu musí být prováděny výhradně autorizovaným servisním technikem Jam Audio. Pro kompletní uživatelskou příručku a registraci produktu navštivte www.jamaudio.com (USA), canada.jamaudio.com (Kanada) nebo uk.jamaudio.com/instructionbooks (Velká Británie).

 Abyste zabránili možnému poškození sluchu, nepoužívejte zařízení po delší dobu s vysokou hlasitostí.



VÝKLAD OEEZ

Toto označení znamená, že by tento produkt neměl být likvidován spolu s jinými domácími odpady, a to v rámci celé EU. Abyste zabránili možným škodám na životním prostředí nebo lidském zdraví při nekontrolované likvidaci odpadu, zodpovědně je recyklujte – podpořte tak udržitelné opětovné využití materiálních zdrojů.



SMĚRNICE TÝKAJÍCÍ SE BATERIÍ

Tento symbol znamená, že baterie nesmí být likvidovány v rámci odpadu z domácností, protože obsahují látky, které mohou poškodovat životní prostředí a zdraví. Baterie zlikvidujte na určených sběrných místech.

Společnost FKA Brands Ltd tímto prohlašuje, že toto rádiové zařízení je v souladu se základními požadavky a dalšími příslušnými ustanoveními směrnice 2014/53/EU. Kopii prohlášení o shodě lze získat na adrese uk.jamaudio.com/DoC.

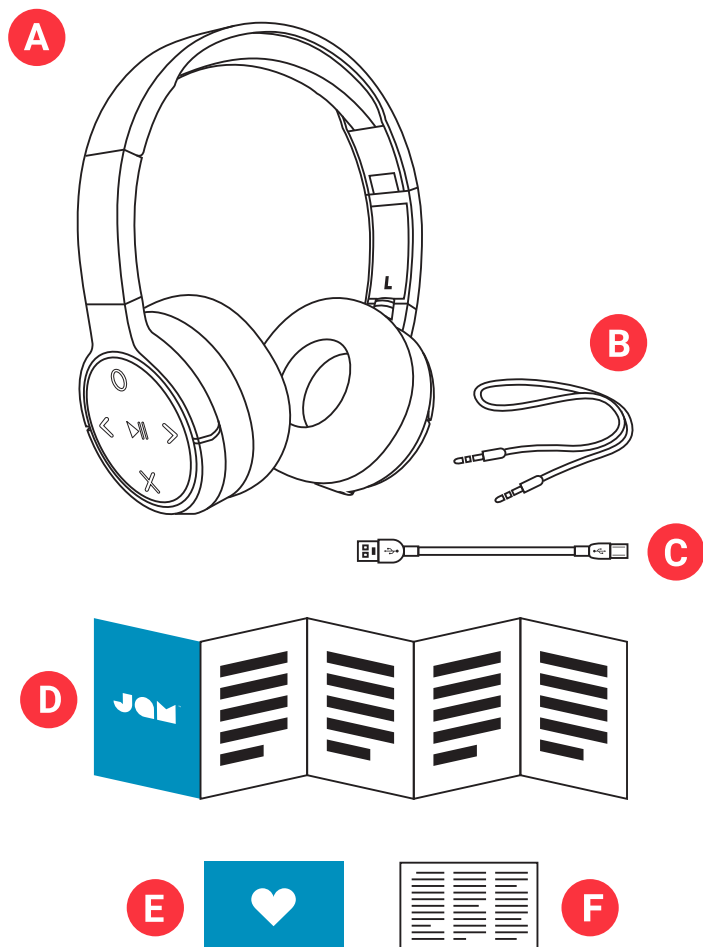


ALREADY THERE

HX-HP101

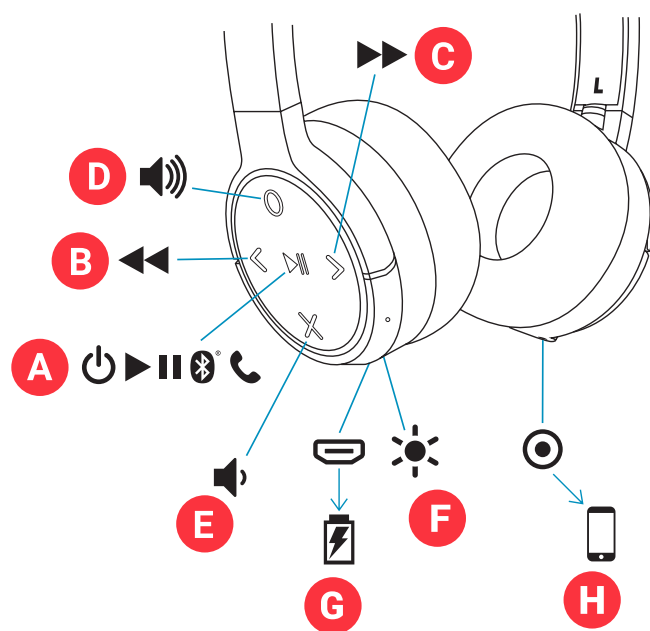
Használati utasítás

TARTALOM



- A – Fejhallgató
- B – Aux kábel
- C – USB töltőkábel
- D – Rövid útmutató
- E – Üdvözlő kártya
- F – Jogyilatkozat

VEZÉRLŐK



- A – Bekapcsolás/kikapcsolás/lejátszás/
szünet gomb
- B – Előző zeneszám
- C – Következő zeneszám
- D – Felhangosítás
- E – Lehalkítás
- F – LED kijelző
- G – Töltőtok
- H – AUX bemenő csatlakozó

BEÁLLÍTÁS

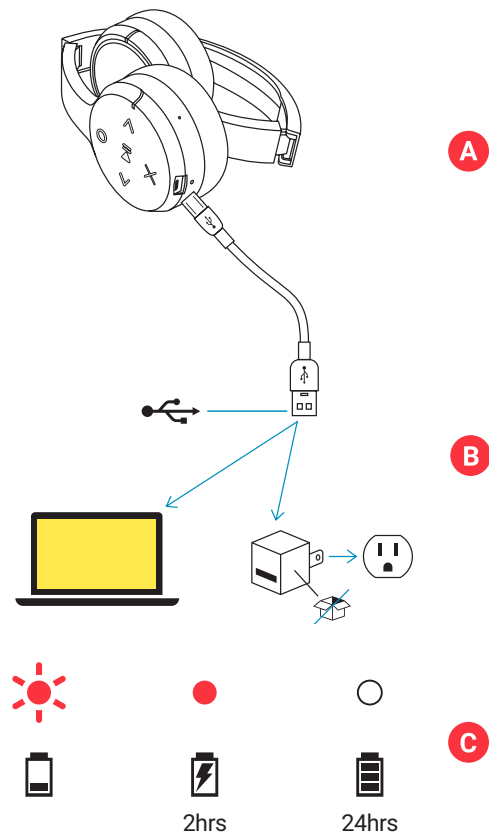
FEJHALLGATÓ TÖLTÉSE

A „Already There” fejhallgató áramforrása egy újra tölthető akkumulátor. A fejhallgató előre feltöltött állapotban kapható, azonban az optimális lejátszási idő érdekében győződjön meg róla, hogy használat előtt feltöltötte.

A – Csomagolja ki az integrált töltőkábelt és csatlakoztassa a micro USB végét a töltőtokra a fejhallgatón.

B – Csatlakoztassa a nagyobb USB csatlakozót a számítógépére vagy egy árammal ellátott USB AC adapterre. A doboz nem tartalmazza az AC adaptert, de használhatja azt, amely a mobiltelefonjához tartozik, vagy vegyen egyet, amikor legközelebb az üzletben jár.

C – Amikor a LED pirosan villog, az azt jelzi, hogy az akkumulátor lemerülőben van és ideje azt csatlakoztatni és újra tölteni. Töltse körülbelül 2 órán át, hogy 24 órányi lejátszási időt érjen el; töltés közben a LED folyamatos piros fényel világít. Teljes feltöltődéskor a LED kikapcsol.



HASZNÁLAT

A – FEJHALLGATÓ BEKAPCSOLÁSA

A fejhallgató bekapcsolásához hosszan nyomja meg a „lejátszás/szünet” gombot 3 másodpercig.

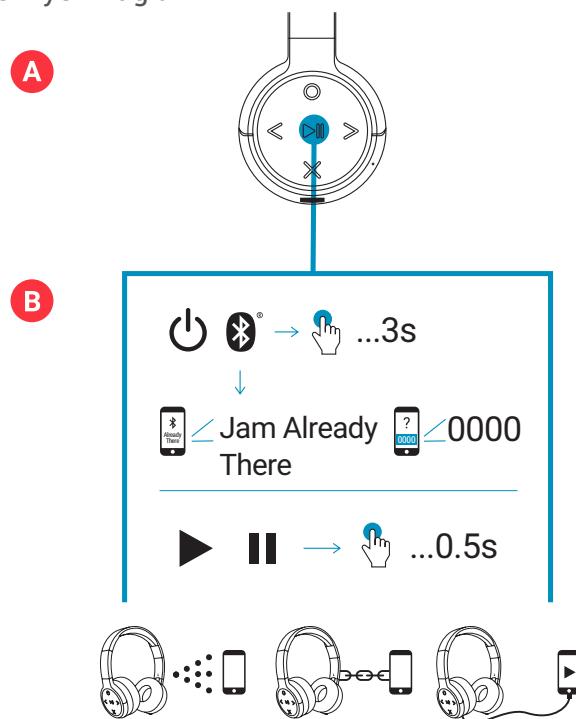
B – CSATLAKOZTATÁS A KÉSZÜLÉKHEZ

Bekapcsolást követően a fejhallgató azonnal megkeresi a készüléket, amelyhez párosítható; a LED felváltva pirosan és kéken villog. Engedélyezze a Bluetooth® opciót a készülékén. A Bluetooth® menüből válassza a „Jam Already There” opciót. Amikor a készülék és a Already There csatlakoztak, hangjelzést fog hallani és a LED folyamatos kék fényel világít

A párosítást követően a készülék és a fejhallgató minden alkalommal megtalálják egymást mindaddig, amíg a készüléke Bluetooth® opciója be van kapcsolva. Ha számítógéphez csatlakozik, ehhez néhány további lépésre van szükség. Ezt az információt a számítógép forgalmazójától szerezheti be.

A készülékétől függően elképzelhető, hogy egy párosítási kódot kell megadnia. Ha ez történik, használja a „0000” kódot. Az „<” és „>” gombok egyidejű lenyomva tartásával 3 másodpercig a párosított készülék lecsatlakozik.

A készülék és a Already There csatlakoztatása történhet aux kábellel is, amit mellékelünk. Csatlakoztatáskor a LED folyamatos piros fényel világít.



C – GOMB FUNKCIÓ

Zene lejátszásához röviden nyomja meg a „lejátszás/szünet” gombot 0,5 másodpercig. A felhangosításhoz röviden nyomja meg az „O” gombot 0,5 másodpercig; a lehalkításhoz röviden nyomja meg az „X” gombot 0,5 másodpercig. A következő zeneszámmra ugráshoz hosszan nyomja meg az „>” gombot; az előző zeneszámmra ugráshoz hosszan nyomja meg az „<” gombot.

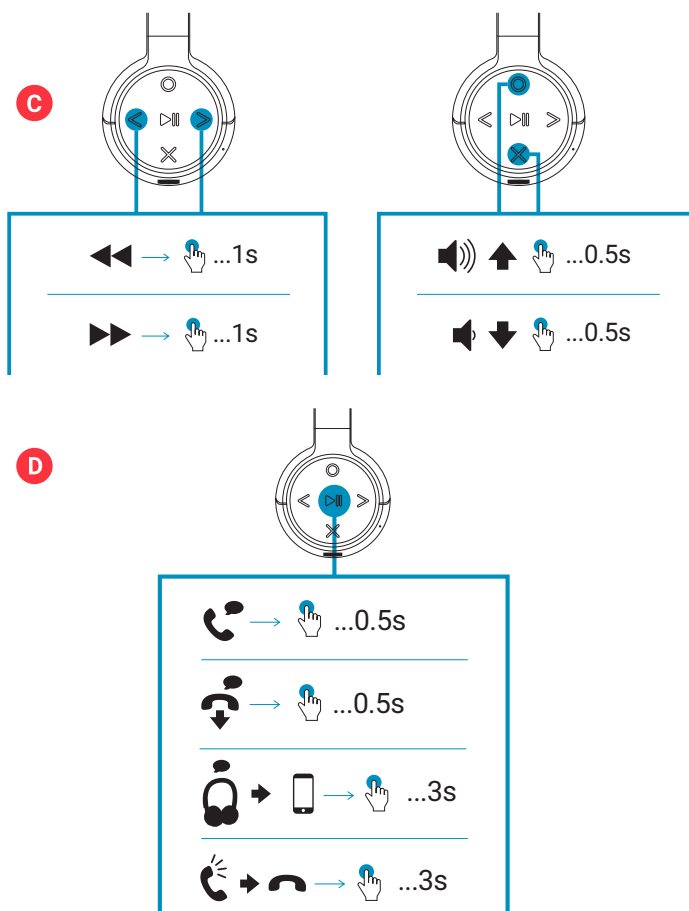
D – HÍVÁS KEZELÉSE

Ha bejövő hívás érkezik zene hallgatása közben, röviden nyomja meg a „lejátszás/szünet” gombot a hívás fogadásához; a hívás befejezéséhez ismét röviden nyomja meg.

Hívás közben, ha magánjellegűként akarja intézni, hosszan nyomja meg a „lejátszás/szünet” gombot, hogy a hívást áttegye fejhallgatóból a telefonjára.

Ha bejövő hívás érkezik, és nem akarja felvenni, hosszan nyomja meg a „lejátszás/szünet” gombot, hogy a hívást átküldje a hangpostára.

* Lásd az alábbi táblázatokat a gombok funkcióinak teljes listájához és a LED kijelzések értelmezéséhez.



LED KIJELZŐK

TÖLTÉS

Pirosan villog 5 másodpercenként	Akkumulátor kimerülőben
Folyamatos piros	Töltés
LED kialszik	Töltés befejezve

HASZNÁLATBAN

Kéken és pirosan villog	Párosítási üzemmód
Kéken villog 5 másodpercenként	Párosítva a készülékkel

ALAPFUNKCIÓK

BE-/KIKAPCSOLÁS

Be-/Kikapcsolás	Hosszan nyomja meg a lejátszás/szünet gombot
-----------------	--

ZENE

Lejátszás/Szünet	Röviden nyomja meg a lejátszás/szünet gombot
Felhangosítás	Röviden nyomja meg az O gombot
Lehalkítás	Röviden nyomja meg az X gombot
Ugrás a következő zeneszámmra	Hosszan nyomja meg az > gombot
Ugrás az előző zeneszámmra	Hosszan nyomja meg az < gombot

HÍVÁSOK

Hívás fogadása	Röviden nyomja meg a lejátszás/szünet gombot
Hívás elutasítása	Hosszan nyomja meg a lejátszás/szünet gombot
Hívás befejezése	Röviden nyomja meg a lejátszás/szünet gombot
Második bejövő hívás fogadása	Röviden nyomja meg a lejátszás/szünet gombot
Második bejövő hívás elutasítása	Hosszan nyomja meg a lejátszás/szünet gombot
Aktív hívás áthelyezése a fejhallgatóból a készülékre	Hosszan nyomja meg a lejátszás/szünet gombot

JOGI TÁJÉKOZTATÁS

HASZNÁLAT ELŐTT OLVASSON EL MINDEN UTASÍTÁST, ÉS ŐRIZZE MEG EZEKET AZ UTASÍTÁSOKAT KÉSŐBBI HIVATKOZÁS CÉLJÁBÓL.

GARANCIA – UK ÉS EURÓPA

A JAM a vásárlástól számított 2 évre szavatolja, hogy a termék mentes anyagi és gyártási hibáktól. Ez a garancia nem terjed ki azokra a károkra, amelyek oka helytelen használat vagy visszaélés; baleset; engedély nélküli tartozék felszerelése; a termék átalakítása; vagy bármely olyan körülmény, amely a JAM hatáskörén kívül esik. Az EU-ban forgalmazza az FKA Brands Ltd, Somerhill Business Park, Tonbridge, TN11 0GP, UK. E-mail: support.row@fkabrand.com.

FONTOSS BIZTONSÁGI UTASÍTÁSOK

HASZNÁLAT ELŐTT OLVASSON EL MINDEN UTASÍTÁST

FIGYELMEZTETÉS: Felelősséggel hallgasson. A halláskárosodás megelőzése érdekében győződjön meg róla, hogy a készülékét lehalkította, mielőtt a fejhallgatót csatlakoztatja. Miután a fejhallgatót a füleire helyezte, fokozatosan hangosítsa fel a készüléket, amíg a kellemes lejátszási hangerőt el nem éri.

- A terméket kizárólag a rendeltetési céljára használja, a jelen kézikönyvben leírtak szerint. Ne használjon a Jam által nem javasolt tartozékokat.
- A Jam nem felel okostelefonok, iPod/MP3 lejátszók, vagy bármely más készülék károsodásáért.
- Ne helyezze vagy tárolja a terméket olyan helyen, ahonnan leeshet, vagy fürdőkádba, vagy mosdóba eshet.
- Ne helyezze vagy dobja vízbe vagy más folyadékba.
- Nem gyermekek általi használatra. EZ NEM JÁTÉK.
- Soha ne üzemeltesse a terméket, ha sérült a vezeték, csatlakozó, kábel, vagy kábelvédő.
- Felforrósodott felületektől tartsa távol.
- Kizárólag száraz felületekre tegye. Ne helyezze víztől vagy tisztítószertől nedves felületre.

FIGYELMEZTETÉS: A termék belső, nem cserélhető lítium akkumulátort tartalmaz. Kérjük, hogy azt a helyi, állami, tartományi, és hazai útmutatásoknak megfelelően ártalmatlanítsa. Az akkumulátorokat (akkumulátor csomagot vagy beszerelt akkumulátorokat) ne tegye ki túlzott hőhatásnak, például napfénynek, tűznek, vagy hasonlóknak.

AKKUMULÁTOR CSERÉJE

A fejhallgatót újra tölthető akkumulátort tartalmaz, amely rendeltetése szerint a termék teljes élettartamára szolgál. Abban a valószínűtlen esetben, ha az akkumulátor cseréje lenne szükséges, kérjük, forduljon a Vevőszolgálathoz, ahol részleteket kaphat a garanciális és garancián túli akkumulátor csereszolgáltatásról. A termék apró alkatrészeket tartalmaz, amelyek fulladásveszélyt jelenthetnek kisgyermekek számára.

FIGYELEM: A termék bármely szervizelését kizárólag az arra feljogosított Jam Audio szervizmunkatárs végezheti. A teljes felhasználói útmutatóhoz és a termék regisztrációjához látogasson a következő weboldalakra: www.jamaudio.com (USA), canada.jamaudio.com (Kanada), vagy uk.jamaudio.com/instructionbooks (UK).

 Esetleges halláskárosodás megelőzése érdekében ne hallgasson nagy hangerővel hosszú ideig.



WEEE MAGYARÁZAT

Ez a megjelölés azt jelzi, hogy a terméket nem szabad egyéb háztartási hulladékkal együtt ártalmatlanítani az EU területén. Az ellenőrizetlen hulladékártalmatlanítás által esetlegesen okozott környezet vagy emberi egészség károsodásának elkerülése érdekében felelősséggel használtsa újra, hogy elősegítse az anyagi erőforrások fenntartható újrahasznosítását.



AKKUMULÁTOR IRÁNYELV

Ez a jelölés azt jelzi, hogy az akkumulátorokat nem szabad a háztartási hulladékban ártalmatlanítani, mert olyan anyagokat tartalmaz, amelyek ártalmasak lehetnek a környezetre és az egészségre. Kérjük, az akkumulátorokat az arra kijelölt gyűjtési helyeken ártalmatlanítsa.

Az FKA Brands Ltd, ezúton kijelenti, hogy ez a rádiókészülék megfelel a 2014/53/EU számú Irányelv alapkövetelményeinek és egyéb vonatkozó rendelkezéseinek. A Megfelelőségi Nyilatkozat egy példányra hozzáférhető az uk.jamaudio.com/DoC címen.

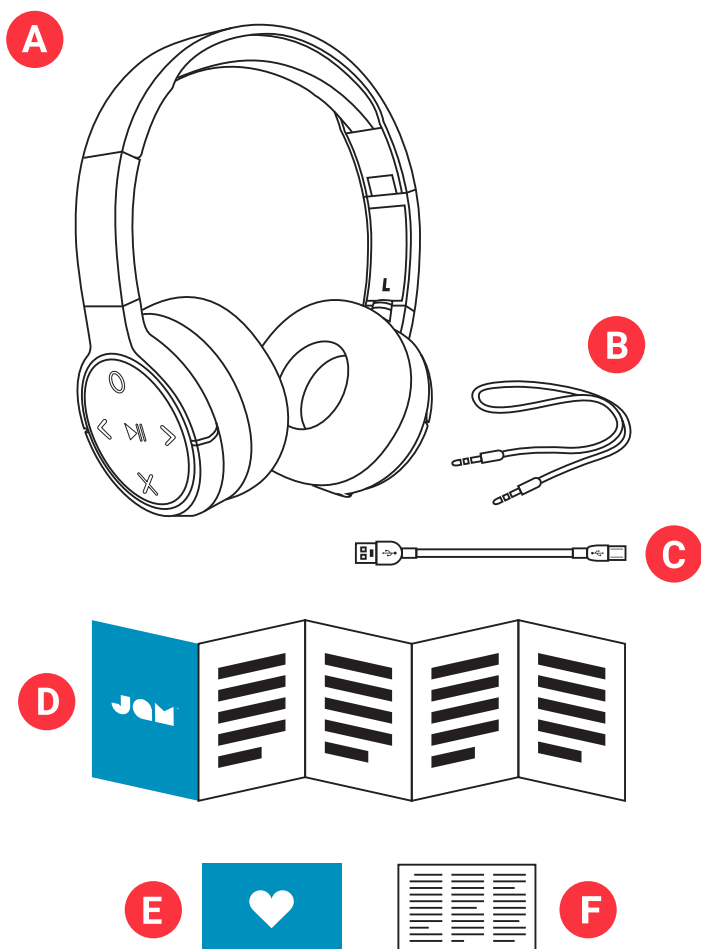


ALREADY THERE

HX-HP101

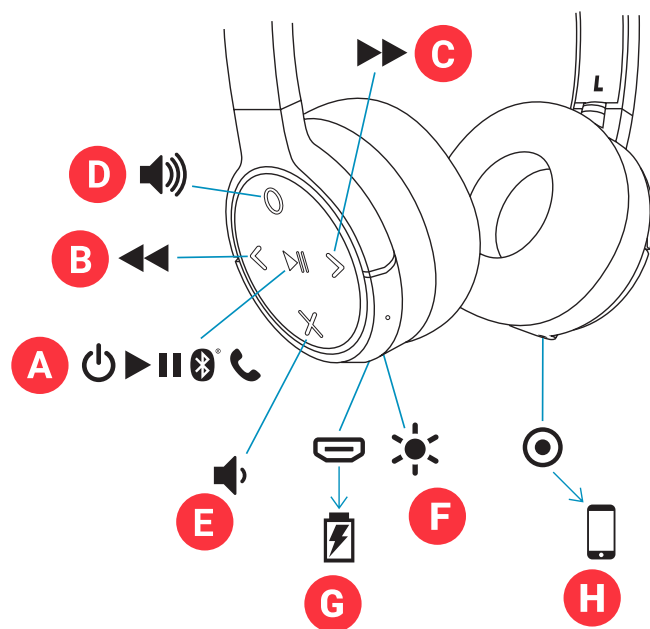
Livro de instruções

CONTEÚDO



- A – Fones de ouvido
- B – Cabo AUX
- C – Cabo de carregamento USB
- D – Guia de início rápido
- E – Cartão de boas-vindas
- F – Cartão jurídico

CONTROLES



- A – Botão liga/desliga/reproduzir/pausar
- B – Faixa anterior
- C – Próxima faixa
- D – Aumentar volume
- E – Diminuir volume
- F – Indicador de LED
- G – Porta de carregamento
- H – Porta de entrada AUX

CONFIGURAÇÃO

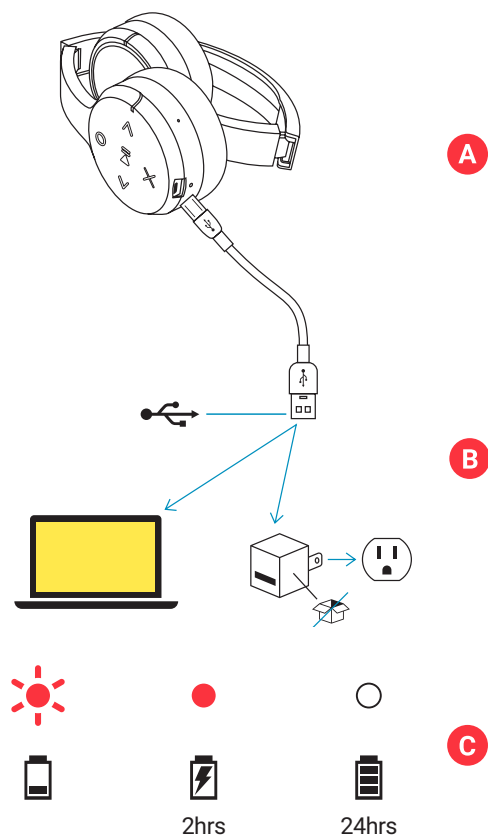
CARREGANDO SEUS FONES DE OUVIDO

Os fones de ouvido “Already There” funcionam com bateria recarregável. Os fones já vem pré-carregados, no entanto, para que a reprodução ocorra sem problemas, certifique-se de carregá-lo antes do primeiro uso.

A – Desenrole o cabo de carregamento e conecte a extremidade micro USB na porta de carregamento dos fones de ouvido.

B – Conecte o plug USB maior em seu computador ou em um adaptador CA USB. O adaptador CA não está incluído, mas você pode usar o do seu celular ou comprar um quando visitar a loja novamente.

C – Quando o LED piscar em vermelho, significa que a bateria está baixa e está na hora de conectar e carregar o fone. Carregue por cerca de 2 horas para obter até 24 horas de reprodução; durante o carregamento, a luz ficará vermelha constantemente. Quando o fone estiver completamente carregado, a luz do LED apagará.



USO

A – LIGUE SEUS FONES DE OUVIDO

Mantenha pressionado o botão “reproduzir/pausar” por 3 segundos para ligar os fones de ouvido.

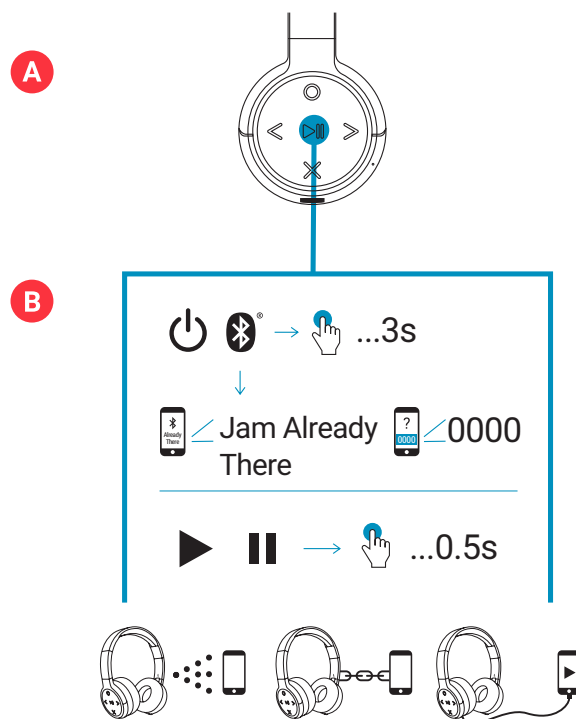
B – CONECTANDO A UM DISPOSITIVO

Assim que estiverem ligados, os fones buscarão imediatamente por um dispositivo para fazer o emparelhamento; o LED piscará em vermelho e azul alternadamente. Ative o Bluetooth® no seu dispositivo. No menu do Bluetooth®, selecione “Jam Already There”. Quando o dispositivo e o Already There estiverem conectados, você ouvirá um som e a luz do LED ficará azul.

Uma vez emparelhados, seu dispositivo e os fones de ouvido se acharão sempre que o Bluetooth® do seu dispositivo estiver ligado. Se estiver conectando o fone a um computador, talvez seja necessário realizar mais algumas etapas. Você terá de obter essa informação com a empresa do computador.

Dependendo do seu dispositivo, talvez seja solicitado que você insira um código de emparelhamento. Se isso acontecer, use “0000” como código. Ao pressionar os botões “<” e “>” ao mesmo tempo por 3 segundos, você irá desconectar o dispositivo emparelhado.

Você também pode conectar seu dispositivo ao Already There usando um cabo auxiliar, que está incluído. Quando estiver conectado, a luz ficará vermelha.



C – FUNÇÃO DO BOTÃO

Pressione rapidamente o botão “reproduzir/pausar” por 0,5 segundos para reproduzir a música. Para aumentar o volume, pressione rapidamente “O” botão. Para diminuir o volume, pressione rapidamente botão “X”. Para ir para a próxima faixa, pressione o botão “>”. Para voltar para a faixa anterior, pressione o botão “<”.

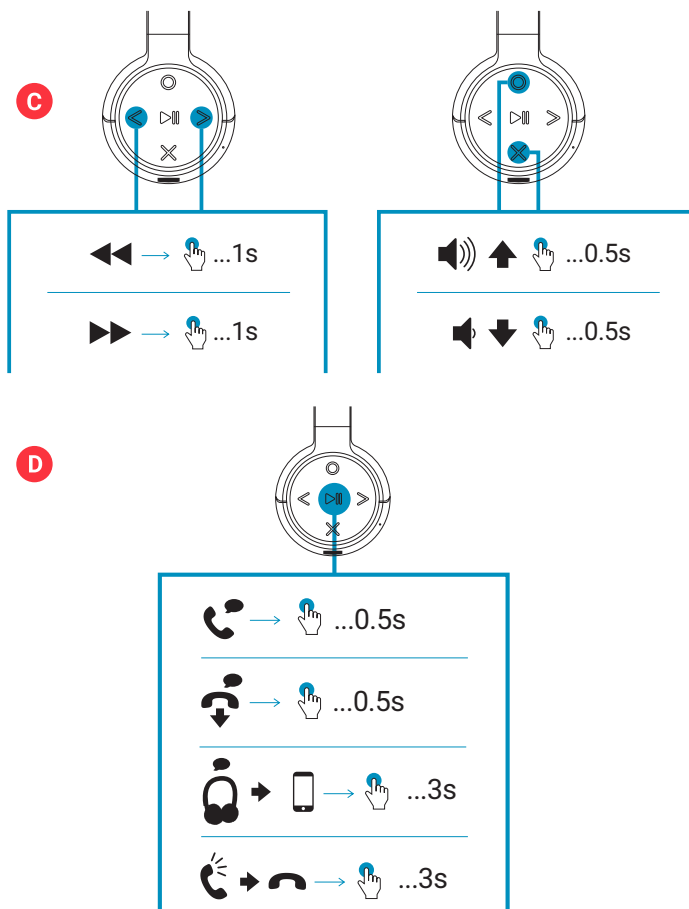
D – ATENDIMENTO DE CHAMADA

Se você receber uma chamada enquanto estiver escutando uma música, pressione rapidamente o botão “reproduzir/pausar” para atender a chamada; pressione o botão rapidamente mais uma vez para desligar.

Se quiser ter mais privacidade durante a chamada, mantenha pressionado por alguns segundos o botão “reproduzir/pausar” para mover a chamada para o seu telefone.

Caso receba uma chamada que não queira atender, mantenha pressionado o botão “reproduzir/pausar” para enviar a chamada para a caixa postal.

*Consulte as tabelas abaixo para ver todas as funções do botão e os significados dos indicadores de LED.



INDICADORES DE LED

CARREGANDO

Luz vermelha piscando a cada 5 segundos	Bateria baixa
Luz vermelha constante	Carregando
LED desligado	Carregamento concluído

EM USO

Luz azul e vermelha piscando	Modo de emparelhamento
Luz azul piscando a cada 5 segundos	Emparelhado com dispositivo

FUNÇÕES BÁSICAS

BOTÃO DE ENERGIA

Ligar/Desligar	Mantenha pressionado o botão reproduzir/pausar
----------------	--

MÚSICA

Reproduzir/Pausar	Pressione rapidamente o botão reproduzir/pausar
Aumentar volume	Pressione rapidamente o botão O
Diminuir volume	Pressione rapidamente o botão X
Ir para próxima faixa	Mantenha pressionado o botão >
Voltar para faixa anterior	Mantenha pressionado o botão <

CHAMADAS

Atender uma chamada	Pressione rapidamente o botão reproduzir/pausar
Recusar uma chamada	Mantenha pressionado o botão reproduzir/pausar
Finalizar uma chamada	Pressione rapidamente o botão reproduzir/pausar
Receber uma segunda chamada	Pressione rapidamente o botão reproduzir/pausar
Recusar uma segunda chamada	Mantenha pressionado o botão reproduzir/pausar
Mover chamada ativa dos fones de ouvido para o dispositivo	Mantenha pressionado o botão reproduzir/pausar

INFORMAÇÕES LEGAIS

LEIA TODAS AS INSTRUÇÕES ANTES DE USAR E GUARDE-AS PARA REFERÊNCIA FUTURA.

GARANTIA - REINO UNIDO E EUROPA

A JAM garante que este produto está livre de defeitos no material ou de fabricação por um período de 2 anos da data da compra. Esta garantia não cobre danos causados pelo uso indevido ou abuso, acidentes, a fixação de qualquer acessório não autorizado, alteração do produto, ou quaisquer outras condições que estejam além do controle da JAM. Distribuído na União Europeia pela FKA Brands Ltd, Somerhill Business Park, Tonbridge, TN11 0GP, UK. E-mail: support.row@fkabrands.com.

INSTRUÇÕES DE SEGURANÇA IMPORTANTES

LEIA TODAS AS INSTRUÇÕES ANTES DE USAR

AVISO: Escute com responsabilidade. Para evitar danos à audição, assegure-se de que o volume do dispositivo esteja baixo antes de conectar os fones de ouvido. Após colocar os fones sobre os ouvidos, aumente o volume gradualmente até que você atinja um volume que lhe permita ouvir de maneira confortável.

- Use este produto apenas para sua finalidade prevista como descrito neste manual. Não use acessórios não recomendados pela Jam.
- A Jam não é responsável por qualquer dano causado a smartphones, iPod/reprodutores de MP3 ou qualquer outro dispositivo.
- Não coloque ou armazene este produto onde ele possa cair ou ser derrubado dentro de uma banheira ou pia.
- Não coloque ou derrube na água ou em qualquer outro líquido.
- Não é para ser usado por crianças pequenas. ISTO NÃO É UM BRINQUEDO.
- Nunca opere este produto se o fio, a tomada, o cabo ou a estrutura externa estiver danificada.
- Mantenha longe de superfícies quentes.
- Apenas coloque sobre superfícies secas. Não coloque em superfícies molhadas com água ou solventes de limpeza.

AVISO: Este produto possui uma bateria de lítio interna e não substituível. Descarte de acordo com as orientações locais, estaduais e nacionais. As baterias (conjunto de baterias ou baterias instaladas) não devem ser expostas ao calor excessivo, como luz solar, fogo ou algo semelhante.

SUBSTITUIÇÃO DA BATERIA

Os fones de ouvido/headphones incluem uma bateria recarregável projetada para durar por toda a vida útil do produto. No caso improvável de você precisar substituir a bateria, entre em contato com o Serviço ao consumidor, que fornecerá detalhes sobre o serviço de substituição da bateria com ou sem garantia. Este produto contém partes pequenas que podem apresentar um risco de engasgamento para crianças pequenas.

CUIDADO: Todos os consertos neste produto devem ser realizados apenas pelo pessoal de assistência técnica autorizado pela Jam Audio. Para obter o guia do usuário completo e registrar o produto, acesse www.jamaudio.com (EUA), canada.jamaudio.com (Canadá) ou uk.jamaudio.com/instructionbooks (RU).



Para evitar possíveis danos à audição, não escute em volume elevado por longos períodos.



EXPLICAÇÃO DA WEEE

Esta marcação indica que o produto não deve ser descartado com outros resíduos domésticos na UE. Para evitar possíveis danos ao meio ambiente ou à saúde humana causados pelo descarte não controlado de resíduos, recicle-os com responsabilidade para promover a reutilização sustentável dos recursos materiais.



DIRETIVA DA BATERIA

Este símbolo indica que as baterias não devem ser descartadas no lixo doméstico, pois contêm substâncias que podem ser prejudiciais ao meio ambiente e à saúde. Descarte as baterias em pontos de coleta designados.

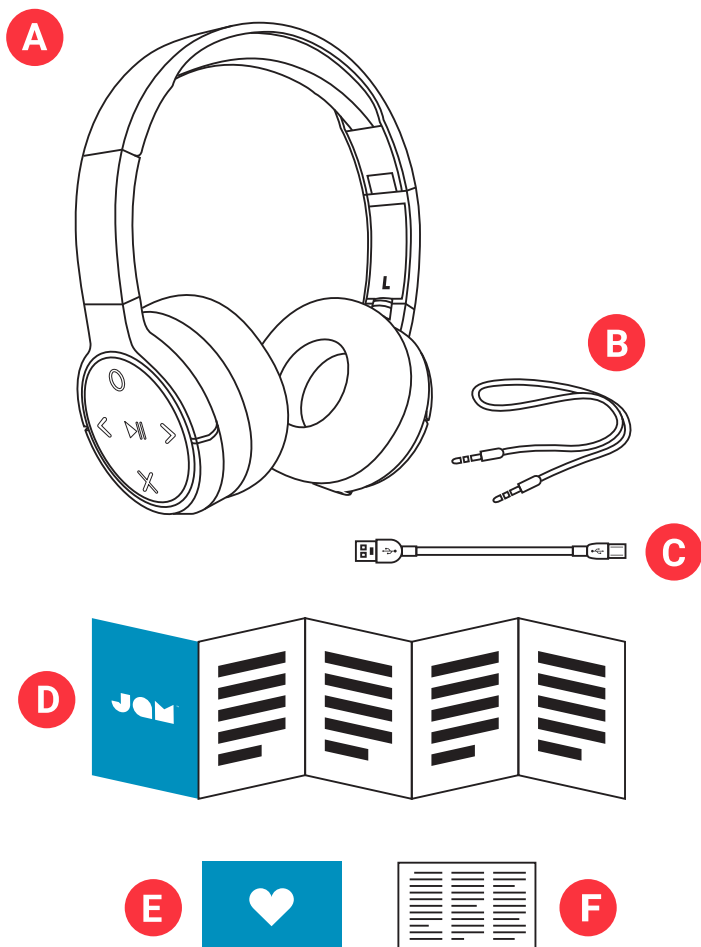
A FKA Brands Ltd declara desta forma que este dispositivo de rádio está em conformidade com os requisitos essenciais e outras disposições relevantes da Diretiva 2014/53/UE. Uma cópia da Declaração de conformidade pode ser obtida em uk.jamaudio.com/DoC.



ALREADY THERE

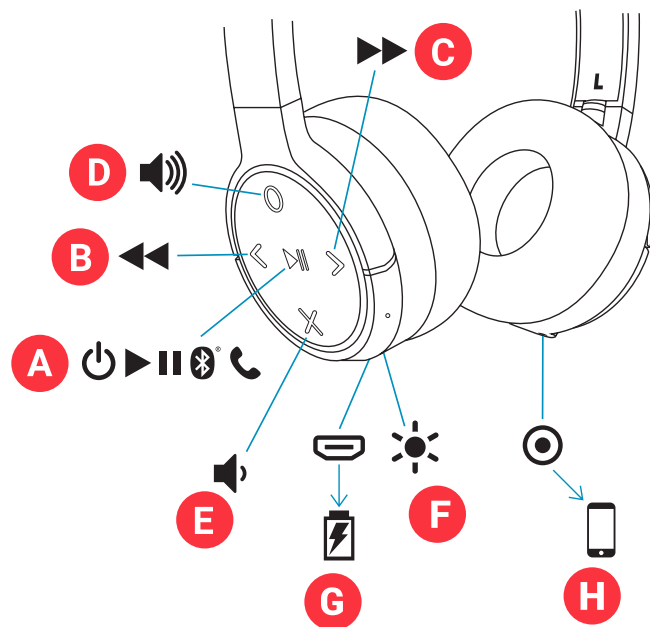
HX-HP101
Kniha pokynov

OBSAH



- A – Slúchadlá
- B – Kábel Aux
- C – Nabíjací kábel USB
- D – Stručný sprievodca
- E – Karta na uvítanie
- F – Karta s právnickými informáciami

OVLÁDACIE PRVKY



- A – Hlavný vypínač, tlačidlo prehrávanie/ pozastavenie
- B – Predchádzajúca nahrávka
- C – Nasledujúca nahrávka
- B – Zvýšenie hlasitosti
- C – Zníženie hlasitosti
- F – Indikátor LED
- G – Port nabíjania
- H – Port pre príslušenstvo

NASTAVENIE

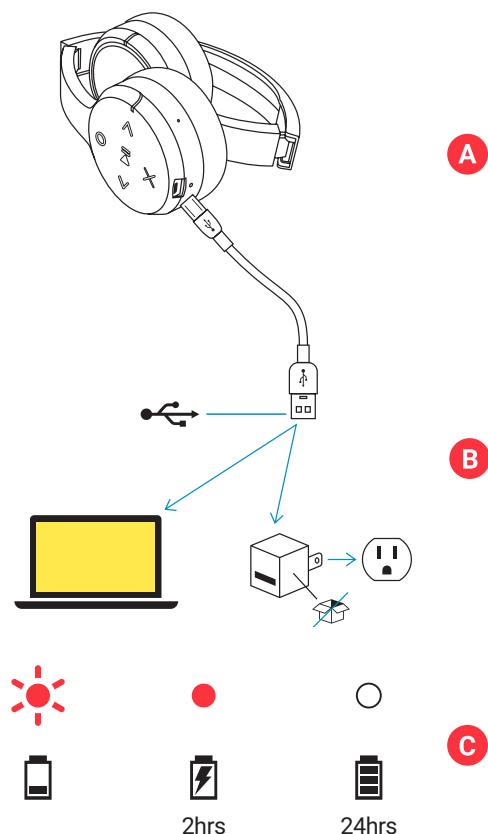
NABÍJANIE SLÚCHADIEL

Slúchadlá „Already There“ sa napájajú z nabíjacej batérie. Slúchadlá sa dodávajú dobité, ale pre optimálnu dobu prehrávania sa pred prvým použitím uistite, že ste ich nabili.

A – Vybaľte nabíjací kábel a zapojte jeho mikrokonektor USB do portu nabíjania na slúchadlách.

B – Pripojte väčší konektor USB k počítaču alebo k sieťovému adaptéru USB. Adaptér na sieťové napájanie sa nedodáva so slúchadlami, ale môžete použiť svoj adaptér pre mobil alebo si zakúpiť nový adaptér, až budete znovu v obchode.

C – Keď indikátor LED bliká na červeno, znamená to, že batéria je takmer vybitá a že je čas ju znovu nabiť. Nabíjajte ju asi 2 hodiny na 24 hodín času použitia. Pri nabíjaní svieti indikátor neprerušovane na červeno. Akonáhle sa plne nabije, indikátor LED prestane svietiť.



POUŽITIE

A – ZAPNUTIE SLÚCHADIEL

Dlhým trojsekundovým stlačením tlačidla „prehrávanie/pozastavenie“ zapnete slúchadlá.

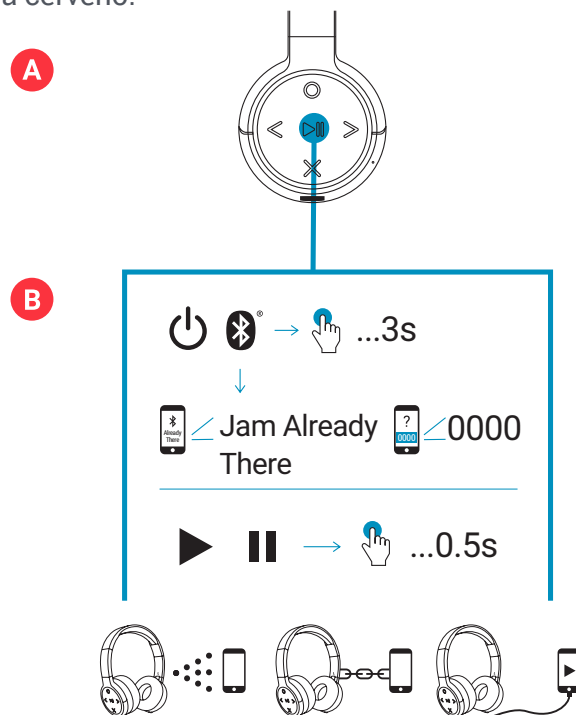
B – PRIPOJENIE K ZARIADENIU

Po zapnutí slúchadlá okamžite vyhľadajú zariadenie, ktoré sa má spárovať; indikátor LED bude blikáť striedavo na červeno a modro. Zapnite Bluetooth® na svojom zariadení. V ponuke Bluetooth® vyberte „Jam Already There“. Keď sa zariadenie pripojí k Already There, budete počuť tón a LED kontrolka bude svietiť neprerušovane na modro.

Po spárovaní sa váš zariadenia a slúchadlá nájdu vždy, keď je Bluetooth® zariadenia zapnutý. Ak sa pripojíte k počítaču, dosiahnete to niekoľkými ďalšími krokmi. Informácie o nich dostanete od výrobcu počítača.

Podľa toho, o aké zariadenie ide, budete vyzvaní, aby ste zadali kód pre párovanie. Ak sa to stane, použijete kód „0000“. Spárované zariadenie sa odpojí podržaním tlačidla „<“ a „>“ zároveň na 3 sekúnd.

Zariadenie môžete tiež pripojiť na Already There pomocou kábla Aux, ktorý je súčasťou dodávky. Po zapojení bude indikátor svietiť neprerušovane na červeno.



C – FUNKCIE TLAČIDIEL

Na prehrávanie hudby krátko na 0,5 sekundy stlačte tlačidlo „prehrávanie/pozastavenie“. Pre zvýšenie hlasitosti stlačte krátko tlačidlo „O“; pre zníženie hlasitosti stlačte krátko tlačidlo „X“. Pre preskočenie na nasledujúcu nahrávku stlačte dlho tlačidlo „>“, pre preskočenie na predchádzajúcu nahrávku stlačte dlho tlačidlo „<“.

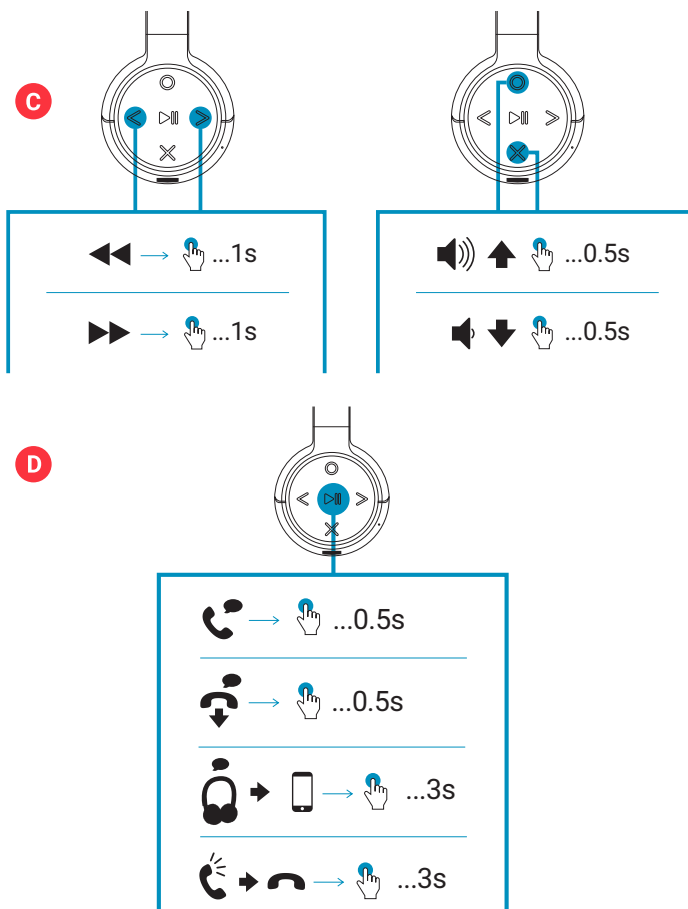
D – HOVORY

Ak počas prehrávania hudby prichádza telefónny hovor, stlačte krátko tlačidlo „prehrávanie/pozastavenie“, aby ste prijali hovor; keď skončíte, zaveste opäť krátkym stlačením tlačidla.

Keď pri hovore chcete, aby bol súkromný, stlačte dlho tlačidlo „prehrávanie/pozastavenie“, aby ste previedli hovor zo slúchadiel na telefón.

Ak príde hovor a vy ho nechcete prijať, urobíte to dlhým stlačením tlačidla „prehrávanie/pozastavenie“ a hovor sa prevedie na záznam.

* Tabuľka nižšie uvádza kompletne funkcie tlačidiel a vysvetlenie signalizácie indikátorov LED.



INDIKÁTORY LED

NABÍJANIE

Červené blikanie každých 5 sekúnd	Vybitá batéria
Neprerušovaná červená	Nabíjanie
LED nesvieti	Nabíjanie dokončené

PRI POUŽITÍ

Blikanie na modro a červeno	Režim párovania
Modré blikanie každých 5 sekúnd	Spárované so zariadením

ZÁKLADNÉ FUNKCIE

NAPÁJANIE

Hlavný vypínač	Stlačte dlho tlačidlo prehrávanie/pozastavenie
----------------	--

HUDBA

Prehrávanie / pozastavenie	Stlačte krátko tlačidlo prehrávanie/pozastavenie
Zvýšenie hlasitosti	Stlačte krátko tlačidlo O
Zníženie hlasitosti	Stlačte krátko tlačidlo X
Preskočenie na nasledujúcu nahrávku	Stlačte dlho tlačidlo >
Preskočenie na predchádzajúcu nahrávku	Stlačte dlho tlačidlo <

HOVORY

Prijatie hovoru	Stlačte krátko tlačidlo prehrávanie/pozastavenie
Odmietnutie hovoru	Stlačte dlho tlačidlo prehrávanie/pozastavenie
Ukončenie hovoru	Stlačte krátko tlačidlo prehrávanie/pozastavenie
Prijatie druhého prichádzajúceho hovoru	Stlačte krátko tlačidlo prehrávanie/pozastavenie
Odmietnutie druhého prichádzajúceho hovoru	Stlačte dlho tlačidlo prehrávanie/pozastavenie
Presunutie aktívneho hovoru zo slúchadiel do zariadenia	Stlačte dlho tlačidlo prehrávanie/pozastavenie

PRÁVNE INFORMÁCIE

PRED POUŽITÍM SI PREČÍTAJTE VŠETKY POKYNY A ULOŽTE TIETO POKYNY PRE BUDÚCE POUŽITIE.

ZÁRUKA - SPOJENÉ KRÁĽOVSTVO A EURÓPA

Spoločnosť JAM zaručuje, že tento výrobok nebude mať chyby materiálu a spracovania po dobu 2 rokov od dňa zakúpenia. Táto záruka sa nevzťahuje na škody spôsobené nesprávnym použitím alebo zneužitím, nehodou, pripojením akéhokoľvek neoprávneného príslušenstva, zmenou výrobku alebo akýmikoľvek inými stavmi, ktoré sú mimo kontroly spoločnosti JAM. Distribútorom v EU je spoločnosť FKA Brands Ltd, Somerhill Business Park, Tonbridge, TN11 0GP, Spojené kráľovstvo. Email: support.row@fkabrands.com.

DÔLEŽITÉ BEZPEČNOSTNÉ POKYNY

VŠETKY POKYNY SI PREČÍTAJTE PRED POUŽITÍM.

VAROVANIE: Počúvajte zodpovedne. Aby ste predišli poškodeniu sluchu, uistite sa, že pred pripojením slúchadiel je hlasitosť vášho prístroja znížená. Po nasadení slúchadiel na uši postupne zvyšujte hlasitosť, kým nedosiahnete pohodlného počúvania.

- Tento výrobok používajte iba na určený zámer, ako je opísaný v tejto príručke. Nepoužívajte príslušenstvo neodporúčané spoločnosťou Jam.
- Spoločnosť Jam nezodpovedá za škody spôsobené použitím smartfónov, prehrávačov iPod/MP3 alebo inými zariadeniami.
- Neumiestňujte ani neskladujte tento výrobok tam, kde by mohol spadnúť alebo byť pustený do vane alebo umývadla.
- Nevkladajte ani nenechajte spadnúť do vody alebo inej kvapaliny.
- Nenechajte používať deťmi. **TOTO NIE JE HRAČKA.**
- Nikdy nepoužívajte tento výrobok, ak má poškodený elektrický kábel, zástrčku, vedenie alebo kryt.
- Uchovávajte mimo horúce povrchy.
- Umiestňujte iba na suché povrchy. Neumiestňujte na povrch zvlhnutý vodou alebo čistiacimi prostriedkami.

VAROVANIE: Tento výrobok má vnútornú, nevymeniteľnú lítiovú batériu. Zlikvidujte v súlade s miestnymi, národnými, regionálnymi a štátnymi predpismi. Batérie (akumulátory alebo zabudované batérie) sa nesmú vystavovať nadmerným teplotám napr. slnečnému žiareniu, ohňu a pod.

VÝMENA BATÉRIE

Vaše slúchadlá obsahujú nabíjateľnú batériu navrhnutú tak, aby vydržala počas celej životnosti výrobku. V nepravdepodobnom prípade, keď by ste potrebovali vymeniť batériu, kontaktujte zákaznícku službu, ktorá vám poskytne podrobnosti o záručnej a mimo záručnej výmene batérie. Tento výrobok obsahuje malé časti, ktoré môžu predstavovať nebezpečenstvo udusenía pre malé deti.

UPOZORNENIE: Všetka údržba tohto výrobku musí byť vykonávaná len autorizovaným servisným personálom spoločnosti Jam Audio. Pre úplnú používateľskú príručku a registráciu produktu navštívte www.jamaudio.com (USA), alebo canada.jamaudio.com (Kanada), alebo uk.jamaudio.com/instructionbooks (UK).



Aby ste predišli možnému poškodeniu sluchu, nepočúvajte dlhšiu dobu na vysokej hlasitosti.



OBJASNENIE OEEZ

Toto označenie znamená, že tento výrobok nesmie byť likvidovaný spolu s iným domovým odpadom v celej EÚ. Aby sa predišlo možnému poškodeniu životného prostredia alebo ľudského zdravia v dôsledku nekontrolovaného zneškodňovania odpadu, zodpovedne ho recyklujte na podporu udržateľného opätovného využitia materiálových zdrojov.



SMERNICA O BATÉRIÁCH

Tento symbol znamená, že batérie nesmú byť zlikvidované spolu s domovým odpadom, pretože obsahujú látky, ktoré môžu poškodzovať životné prostredie a zdravie. Batérie zlikvidujte na určených zberných miestach.

FKA Brands Ltd týmto vyhlasuje, že toto rádiové zariadenie spĺňa základné požiadavky a ďalšie príslušné ustanovenia smernice 2014/53/EÚ. Kópiu vyhlásenia o zhode môžete získať na adrese uk.jamaudio.com/DoC.

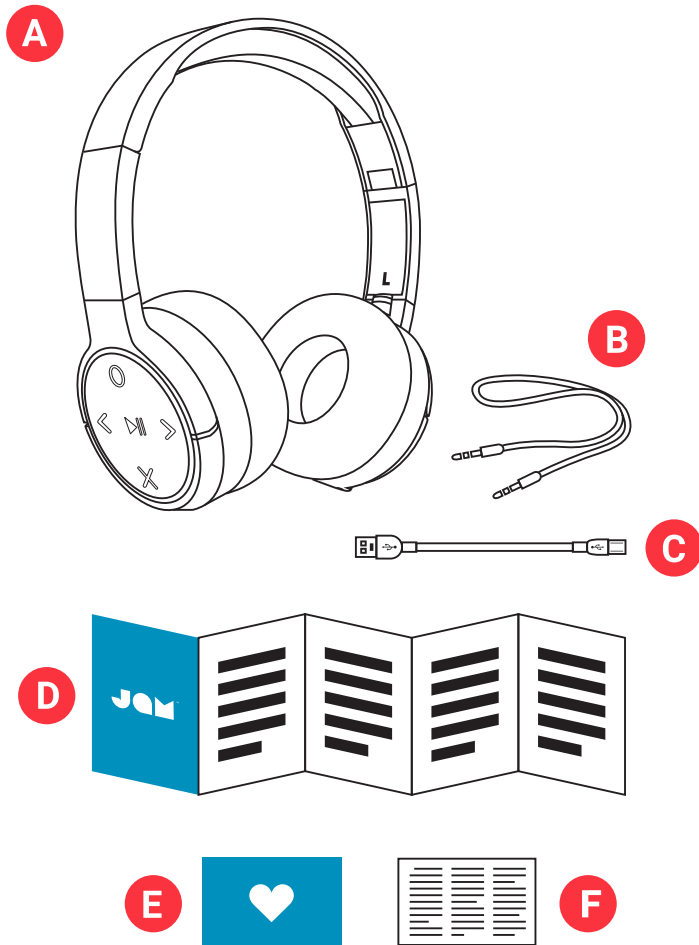


ALREADY THERE

HX-HP101

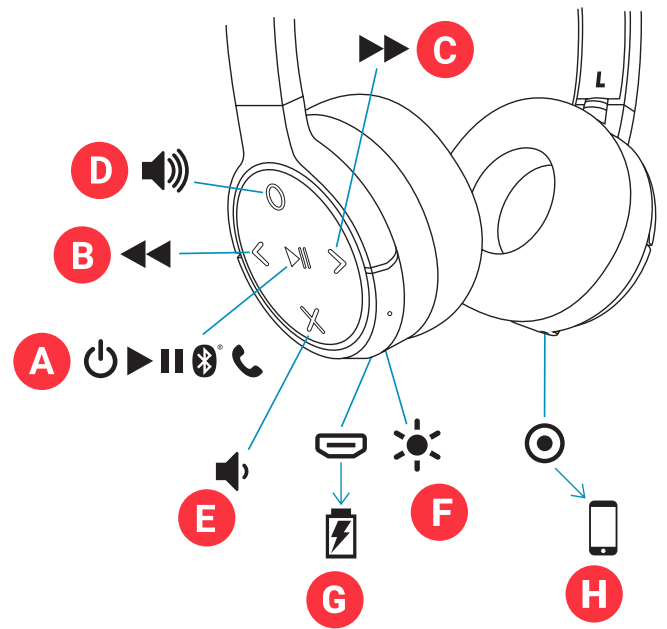
Manual de instrucțiuni

CONȚINUT



- A – căști
- B – cablu AUX
- C – cablu de încărcare USB
- D – ghid de inițiere rapidă
- E – fișă introductivă
- F – fișă juridică

COMENZI



- A – buton de pornire/oprire sau redare/pauză
- B – piesa anterioară
- C – piesa următoare
- B – creștere volum
- C – reducere volum
- F – indicator cu LED
- G – port de încărcare
- H – port de intrare AUX

INSTALARE

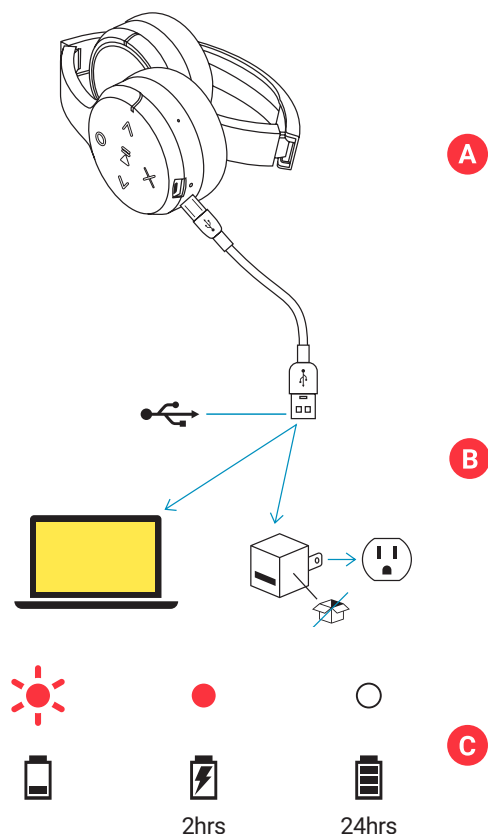
ÎNCĂRCAREA CĂȘTILOR

Căștile „Already There” se alimentează de la o baterie reîncărcabilă. Difuzorul este furnizat preîncărcat, însă pentru o durată de redare optimă, aveți grijă să-l reîncărcați înainte de prima utilizare.

A – Desfășurați cablul de încărcare și conectați capătul micro USB la portul de încărcare al căștilor.

B – Conectați fișa USB mai mare la calculator sau la un adaptor USB de c.a., aflat sub tensiune. Adaptorul de c.a. nu este inclus în cutie, dar îl puteți utiliza pe cel de la telefonul mobil sau puteți cumpăra unul la următoarea vizită la magazin.

C – Atunci când indicatorul LED luminează intermitent în roșu, aceasta indică faptul că bateria are un nivel redus și este timpul să o conectați și reîncărcați. Încărcați timp de aproximativ 2 ore pentru până la 24 ore de audiere; în timpul încărcării, indicatorul va lumina roșu constant. La momentul încărcării complete, indicatorul LED se va stinge.



UTILIZARE

A – PORNIREA CĂȘTILOR

Pentru a porni căștile, apăsați lung butonul „redare/pauză”, timp de 3 secunde.

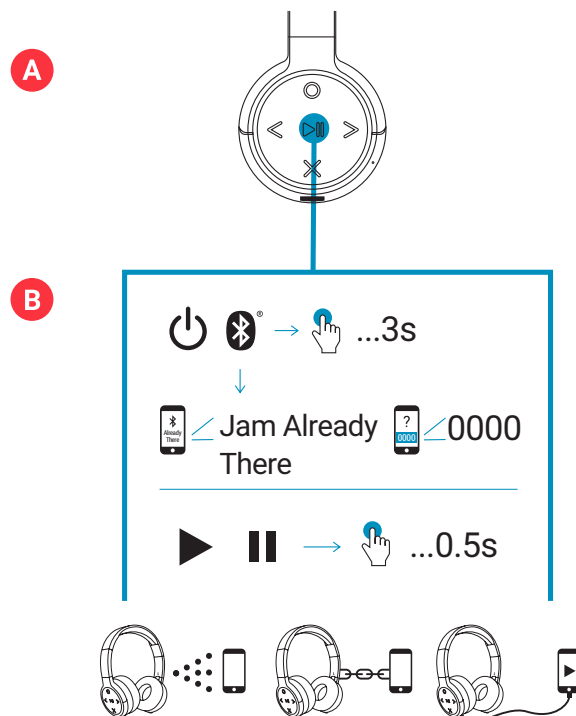
B – CONECTAREA LA UN DISPOZITIV

După pornire, căștile vor căuta imediat un dispozitiv cu care să se împerecheze; indicatorul LED va lumina intermitent, alternativ, în roșu și albastru. Activați Bluetooth® pe dispozitivul dumneavoastră. Din meniul Bluetooth®, selectați „Jam Already There”. Când dispozitivul și Already There sunt conectate, veți auzi un semnal sonor și indicatorul LED va lumina în albastru constant.

Odată împerecheate, dispozitivul și căștile se vor „găsi reciproc” de fiecare dată, cu condiția ca funcția Bluetooth® a dispozitivului să fie activată. Dacă realizați conectarea la un calculator, este posibil să fie necesari mai mulți pași pentru aceasta. Va trebui să obțineți informațiile respective de la compania de calculatoare.

În funcție de dispozitivul dvs., vi se poate solicita să introduceți un cod de împerechere. În acest caz, utilizați codul „0000”. Dacă mențineți butoanele „<” și „>” apăsați simultan, timp de 3 secunde, dispozitivul împerecheat se va deconecta.

Puteți conecta dispozitivul la Already There și cu ajutorul unui cablu AUX, care este inclus. La momentul conectării, indicatorul va lumina în roșu constant.



C – FUNCȚIILE BUTOANELOR

Apăsați scurt butonul „redare/pauză”, timp de 0,5 secunde, pentru a reda muzica. Pentru a crește volumul, apăsați scurt butonul „0”; pentru a reduce volumul, apăsați scurt butonul „X”. Pentru a sări la piesa următoare, apăsați lung butonul „>”; pentru a sări la piesa anterioară, apăsați lung butonul „<”.

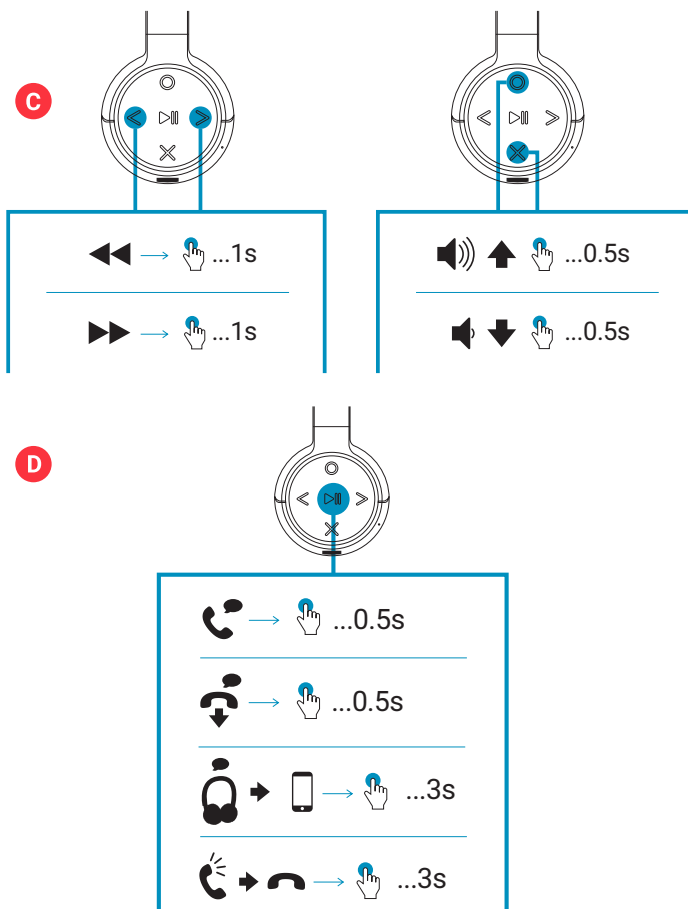
D – GESTIONAREA APELURILOR

În timp ce vă delectați cu muzica dvs., dacă primiți un apel, apăsați scurt pe butonul de „redare/pauză” pentru a-l prelua; apăsați scurt din nou atunci când terminați, pentru a încheia apelul.

În timpul unui apel, dacă doriți să îl faceți privat, apăsați lung butonul de „redare/pauză” pentru a comuta apelul de la căști la telefon.

Dacă primiți un apel pe care nu vreți să-l preluați, apăsați lung butonul de „redare/pauză” pentru a direcționa apelul la căsuța vocală.

*A se vedea tabelul de mai jos pentru funcțiile complete ale butoanelor și interpretarea indicatorilor LED.



INDICATORI LED

ÎNCĂRCARE

Clipire în roșu din 5 în 5 secunde	Nivel redus al bateriei
Roșu continuu	Încărcare
LED stins	Încărcare finalizată

ÎN TIMPUL UTILIZĂRII

Clipire în roșu și albastru	Mod de împerechere
Clipire în albastru din 5 în 5 secunde	Împerecheat cu dispozitivul

FUNCȚII DE BAZĂ

ALIMENTARE

Pornire/oprire	Apăsați lung butonul redare/pauză
----------------	-----------------------------------

MUZICĂ

Redare/pauză	Apăsați scurt butonul redare/pauză
Creștere volum	Apăsați scurt butonul 0
Reducere volum	Apăsați scurt butonul X
Salt la piesa următoare	Apăsați lung butonul >
Salt la piesa anterioară	Apăsați lung butonul <

APELURI

Preluare apel	Apăsați scurt butonul redare/pauză
Refuzare apel	Apăsați lung butonul redare/pauză
Încheiere apel	Apăsați scurt butonul redare/pauză
Preluare al doilea apel primit	Apăsați scurt butonul redare/pauză
Refuzare al doilea apel primit	Apăsați lung butonul redare/pauză
Mutare apel activ de la căști la dispozitiv	Apăsați lung butonul redare/pauză

INFORMAȚII JURIDICE

CITIȚI TOATE INSTRUCȚIUNILE ÎNAINTE DE UTILIZARE ȘI PĂSTRAȚI ACESTE INSTRUCȚIUNI PENTRU CONSULTARE ULTERIOARĂ.

GARANȚIE – REGATUL UNIT ȘI EUROPA

JAM garantează că acest produs nu va prezenta defecte de material și de fabricație pe o perioadă de 2 ani de la data achiziției. Prezenta garanție nu acoperă daunele cauzate de utilizarea inadecvată sau abuzivă, accidente, atașarea unui accesoriu neautorizat, modificarea produsului sau orice alt tip de condiții care nu sunt sub controlul JAM. Distribuit în UE de FKA Brands Ltd, Somerhill Business Park, Tonbridge, TN11 0GP, Regatul Unit. E-mail: support.row@fkabrands.com.

INSTRUCȚIUNILE IMPORTANTE DE SIGURANȚĂ

CITIȚI TOATE INSTRUCȚIUNILE ÎNAINTE DE UTILIZARE

AVERTISMENT: Audiați în mod responsabil. Pentru a evita deteriorarea auzului, înainte de a conecta căștile, asigurați-vă că volumul dispozitivului este redus. După plasarea căștilor pe urechi, creșteți volumul treptat până când obțineți un volum de audiere confortabil.

- Utilizați acest produs numai pentru scopul său de utilizare, descris în acest manual. Nu utilizați accesoriile nerecomandate de către Jam.
- Jam nu își asumă răspunderea pentru niciun fel de daune cauzate dispozitivelor de tip smartphone, iPod/player MP3 sau oricăror alte dispozitive.
- Nu plasați și nu depozitați acest produs într-un loc din care acesta poate cădea sau poate fi scăpat într-o cadă sau o chiuvetă.
- Nu plasați și nu scăpați în apă sau în alt lichid.
- Nu este destinat utilizării de către copii. **ACEASTA NU ESTE O JUCĂRIE.**
- Nu puneți niciodată în funcțiune acest produs dacă acesta prezintă deteriorări ale firului, fișei, cablului de alimentare sau carcasei.
- A se feri de suprafețe încălzite.
- A se așeza numai pe suprafețe uscate. A nu se plasa pe suprafețe ude cu apă sau cu solvenți de curățare.

AVERTISMENT: Acest produs are o baterie internă, neînlocuibilă, pe bază de litiu. Vă rugăm să îl eliminați în conformitate cu liniile directoare la nivel local, statal, provincial și național. Bateriile (blocul de acumulatori sau bateriile instalate) nu trebuie expuse la căldură excesivă precum razele solare, foc sau altele asemenea.

ÎNLOCUIREA BATERIILOR

Căștile dumneavoastră includ o baterie reîncărcabilă destinată să dureze pe toată durata de viață a produsului. În cazul puțin probabil în care aveți nevoie de o baterie de rezervă, vă rugăm să contactați Serviciul Clienți, care vă va furniza detaliile serviciului pentru înlocuirea bateriei aflate în garanție sau în afara acesteia. Acest produs conține piese de mici dimensiuni, care pot reprezenta un pericol de sufocare pentru copiii mici.

ATENȚIE: Toate operațiunile de service pentru acest produs trebuie să fie efectuate de personalul de service autorizat al Jam Audio. Pentru un ghid complet al utilizatorului și pentru a vă înregistra produsul, vizitați www.jamaudio.com (SUA), sau canada.jamaudio.com (Canada), sau uk.jamaudio.com/instructionbooks (Regatul Unit).



Pentru a preveni eventuale afectări ale auzului, nu audiați la volume ridicate pentru perioade lungi de timp.



EXPLICAȚIA MARCAJULUI WEEE

Acest marcaj indică faptul că acest produs nu trebuie eliminat împreună cu alte deșeuri casnice, la nivelul întregii UE. Pentru a preveni posibile daune asupra mediului sau sănătății umane rezultate din eliminarea necontrolată a deșeurilor, reciclați-l responsabil, pentru a promova reutilizarea durabilă a resurselor materiale.



DIRECTIVA PRIVIND BATERIILE

Acest simbol indică faptul că bateriile nu trebuie eliminate în deșeurile casnice, întrucât conțin substanțe ce pot fi dăunătoare mediului și sănătății. Vă rugăm eliminați bateriile la punctele de colectare special amenajate.

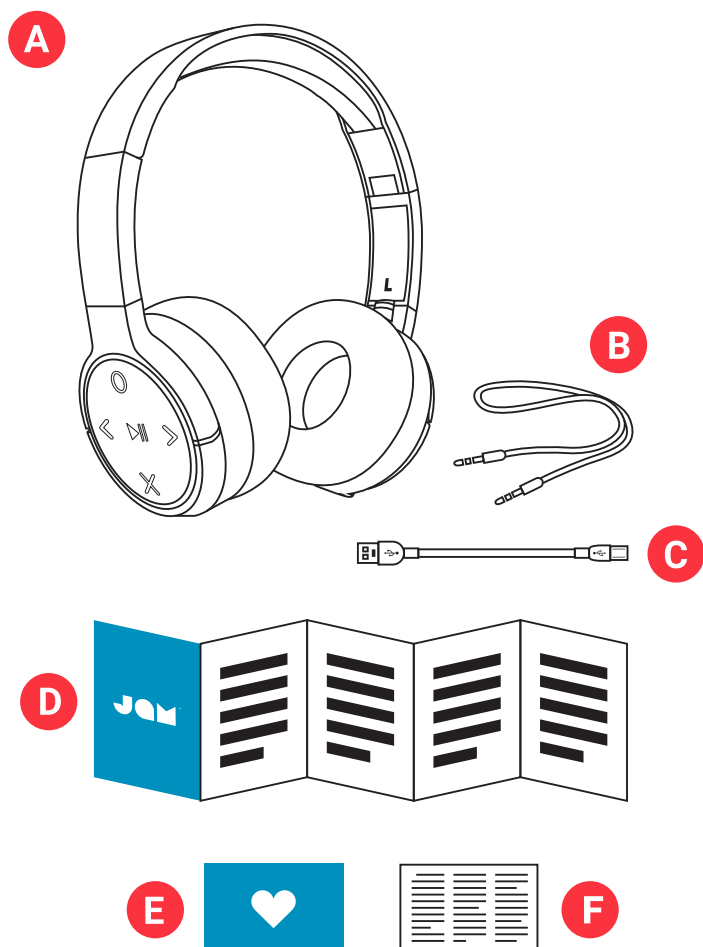
Prin prezenta, FKA Brands Ltd declară că acest dispozitiv radio este în conformitate cu cerințele esențiale și cu celelalte prevederi relevante ale Directivei 2014/53/UE. O copie a declarației de conformitate poate fi obținută de la adresa uk.jamaudio.com/DoC.



ALREADY THERE

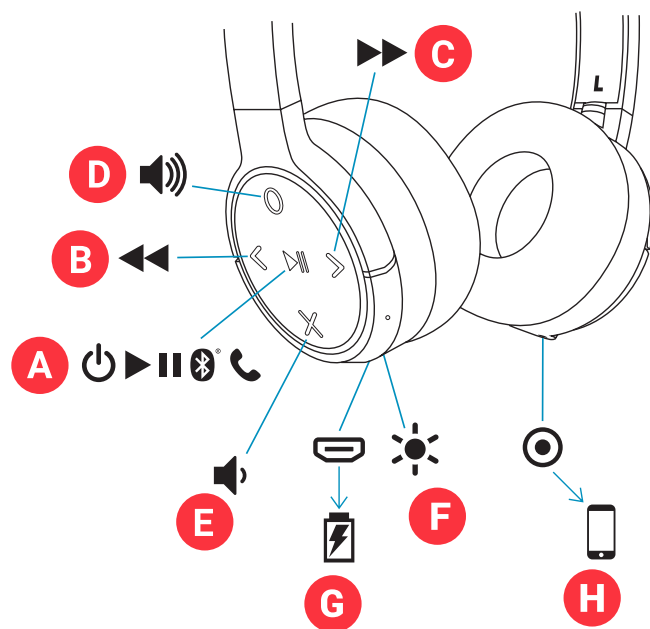
HX-HP101
Instrukcja

TREŚĆ



- A – Słuchawki
- B – Przewód aux
- C – Kabel USB do ładowania
- D – Skrócona instrukcja obsługi
- E – Karta powitalna
- F – Karta z uwagami prawnymi

ELEMENTY STERUJĄCE



- A – Przycisk włączania/wyłączania/odtwórz/pauza
- B – Poprzedni utwór
- C – Następny utwór
- D – Zwiększenie głośności
- E – Zmniejszenie głośności
- F – Wskaźnik świetlny LED
- G – Port ładowania
- H – Wejście AUX

KONFIGURACJA

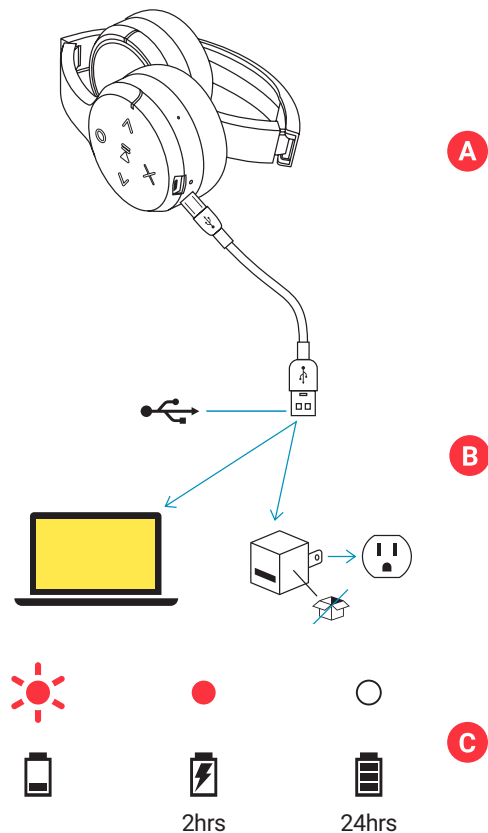
ŁADOWANIE SŁUCHAWEK

Słuchawki „Already There” są zasilane akumulatorem. Słuchawki są fabrycznie naładowane; jednak, aby uzyskać optymalny czas odtwarzania, należy naładować je przed pierwszym użyciem.

A – Rozwiń kabel do ładowania i podłącz końcówkę micro USB do portu ładowania w słuchawkach.

B – Podłącz większą wtyczkę USB do komputera lub zasilacza sieciowego USB. W zestawie nie ma zasilacza, można jednak użyć zasilacza do telefonu komórkowego lub kupić go podczas kolejnej wizyty w sklepie.

C – Dioda LED migająca na czerwono oznacza niski poziom naładowania baterii, należy ją podłączyć do ładowania i naładować. Ładowanie powinno trwać około 2 godzin, aby uzyskać do 24 godzin odtwarzania; podczas ładowania lampka będzie świecić stałym czerwonym światłem. Po pełnym naładowaniu lampka LED zgaśnie.



UŻYCIE

A – WŁĄCZ SŁUCHAWKI

Przytrzymaj przycisk „odtwórz/pauza” przez 3 sekundy, aby włączyć słuchawki.

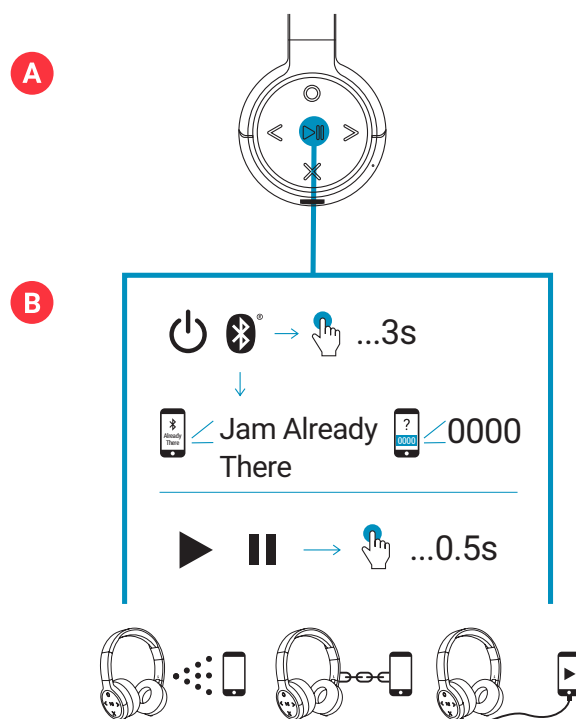
B – PODŁĄCZENIE DO URZĄDZENIA

Po włączeniu, słuchawki natychmiast odszukają urządzenie, z którym można się sparować; dioda LED będzie migać na przemian na czerwono i niebiesko. Włącz Bluetooth® w swoim urządzeniu. Z menu Bluetooth® wybierz „Jam Already There”. Gdy urządzenie i Already There zostaną połączone, usłyszysz sygnał dźwiękowy, a dioda LED zaświeci ciągłym niebieskim światłem.

Po sparowaniu, urządzenie i słuchawki będą się nawzajem odnajdywać, pod warunkiem, że w urządzeniu włączony jest Bluetooth. Jeśli łączysz się z komputerem, konieczne może być wykonanie kilku dodatkowych czynności. Informacje o koniecznych działaniach należy uzyskać od producenta komputera.

W zależności od urządzenia może pojawić się monit o wprowadzenie kodu parowania. W takim przypadku jako kod należy podać „0000”. Przytrzymanie jednocześnie przycisku „<” i „>” przez 3 sekund spowoduje odłączenie sparowanego urządzenia.

Urządzenie można również podłączyć do Already There za pomocą przewodu aux, który jest dołączony do zestawu. Po podłączeniu, lampka zapali się na czerwono.



C – FUNKCJE PRZYCISKÓW

Naciśnij przycisk “odtwórz/pauza” na 0,5 sekundy, aby odtworzyć muzykę. Aby zwiększyć głośność, naciśnij na krótko przycisk “O”; aby zmniejszyć głośność, naciśnij na krótko przycisk “X”. Aby przejść do następnego utworu, naciśnij na dłużej przycisk “>”; aby przejść do poprzedniego utworu, naciśnij na dłużej przycisk “<”.

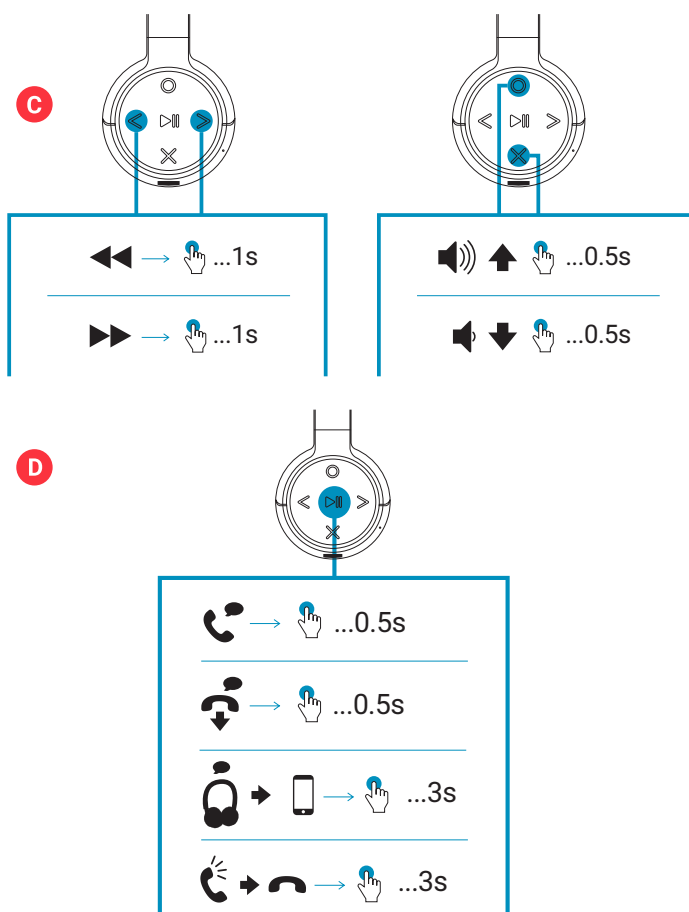
D – OBSŁUGA POŁĄCZEŃ

Jeśli podczas odtwarzania muzyki nadejdzie połączenie, naciśnij na krótko przycisk “odtwórz/pauza”, aby odebrać połączenie; po skończeniu rozmowy ponownie naciśnij przycisk na krótko, aby się rozłączyć.

Podczas rozmowy, jeśli chcesz ustawić ją jako prywatną, naciśnij i przytrzymaj przycisk “odtwórz/pauza”, aby przenieść rozmowę ze słuchawek na telefon.

Jeśli nie chcesz odebrać przychodzącego połączenia, naciśnij i przytrzymaj dłużej przycisk “odtwórz/pauza”, aby wysłać połączenie do poczty głosowej.

*W poniższych tabelach przedstawiono pełny opis funkcji przycisków i wskaźników LED.



WSKAŹNIKI LED

ŁADOWANIE

Światło czerwone miga co 5 sekund	Niski poziom naładowania baterii
Światło stałe czerwone	Trwa ładowanie
Wskaźnik LED wył.	Ładowanie zakończone

W CZASIE UŻYWANIA

Migające światło niebieskie i czerwone	Tryb parowania
Światło niebieskie migające co 5 sekund	Sparowane z urządzeniem

PODSTAWOWE FUNKCJE

ZASILANIE

Włącz/Wyłącz	Na dłużej naciśnij przycisk odtwórz/pauza
--------------	---

MUZYKA

Odtwórz/Pauza	Na krótko naciśnij przycisk odtwórz/pauza
Zwiększ głośność	Na krótko naciśnij przycisk O
Zmniejsz głośność	Na krótko naciśnij przycisk X
Przejdź do następnego utworu	Na dłużej naciśnij przycisk >
Przejdź do poprzedniego utworu	Na dłużej naciśnij przycisk <

POŁĄCZENIA

Odbierz połączenie	Na krótko naciśnij przycisk odtwórz/pauza
Odrzuć połączenie	Na dłużej naciśnij przycisk odtwórz/pauza
Zakończ połączenie	Na krótko naciśnij przycisk odtwórz/pauza
Odbierz drugie połączenie przychodzące	Na krótko naciśnij przycisk odtwórz/pauza
Odrzuć drugie połączenie przychodzące	Na dłużej naciśnij przycisk odtwórz/pauza
Przenieś aktywne połączenie ze słuchawek na urządzenie	Na dłużej naciśnij przycisk odtwórz/pauza

INFORMACJE PRAWNE

PRZED UŻYCIEM PRZECZYTAĆ WSZYSTKIE INSTRUKCJE I ZACHOWAĆ NINIEJSZĄ INSTRUKCJĘ DO WYKORZYSTANIA W PRZYSZŁOŚCI.

GWARANCJA - WIELKA BRYTANIA I EUROPA

JAM gwarantuje, że produkt ten jest wolny od wad materiałowych i wynikających z jakości wykonania przez okres 2 lat od daty zakupu. Niniejsza gwarancja nie obejmuje szkód spowodowanych przez niewłaściwe lub nadmierne użytkowanie; wypadek; zamontowanie dowolnego nieautoryzowanego wyposażenia; wprowadzenie zmian w produkcji; lub jakiegokolwiek inne warunki niezależne od JAM. Dystrybucja w UE przez FKA Brands Ltd, Somerhill Business Park, Tonbridge, TN11 0GP, UK. E-mail: support.row@fkabrand.com.

WAŻNE INSTRUKCJE DOTYCZĄCE BEZPIECZEŃSTWA

PRZED UŻYCIEM NALEŻY PRZECZYTAĆ WSZYSTKIE INSTRUKCJE

OSTRZEŻENIE: Słuchaj odpowiedzialnie. Aby uniknąć uszkodzenia słuchu, przed podłączeniem słuchawek należy upewnić się, że głośność w urządzeniu jest obniżona. Po założeniu słuchawek na uszy należy stopniowo zwiększać głośność, aż do osiągnięcia komfortowej głośności.

- Produktu należy używać wyłącznie zgodnie z jego przeznaczeniem opisanym w niniejszej instrukcji. Nie wolno używać dodatków niezalecanych przez Jam.
- Jam nie ponosi odpowiedzialności za jakiegokolwiek szkody spowodowane w smartfonach, urządzeniach iPod/ odtwarzaczach MP3 lub jakichkolwiek innych urządzeniach.
- Produktu nie należy umieszczać ani przechowywać w miejscu, z którego może spaść lub zostać wrzucony do wanny lub zlewu.
- Nie umieszczać ani nie wrzucać do wody ani innego płynu.
- Produkt nie jest przeznaczony dla dzieci. TO NIE JEST ZABAWKA.
- Nie wolno używać produktu z uszkodzonym przewodem, wtyczką, kablem lub obudową.
- Przechowywać z dala od gorących powierzchni.
- Ustawiać wyłącznie na suchych powierzchniach. Nie umieszczać na powierzchni mokrej od wody lub rozpuszczalników do czyszczenia.

OSTRZEŻENIE: Urządzenie wyposażone jest w wewnętrzną, niewymienną baterię litową. Należy ją utylizować zgodnie z lokalnymi, stanowymi, miejscowymi i krajowymi wytycznymi. Baterie (bateria akumulatorowa lub zainstalowane baterie) nie powinny być narażone na nadmierne ciepło, takie jak światło słoneczne, ogień lub podobne źródła ciepła.

WYMIANA BATERII

Słuchawki zawierają ładowalną baterię przeznaczoną na cały okres użytkowania produktu. W mało prawdopodobnym przypadku konieczności wymiany baterii należy skontaktować się z działem obsługi klienta, który przekaze szczegóły dotyczące wymiany baterii w ramach gwarancji i po okresie gwarancji. Produkt zawiera małe części, które mogą stanowić zagrożenie zadławieniem dla małych dzieci.

PRZESTROGA: Wszystkie czynności serwisowe produktu muszą być wykonywane wyłącznie przez autoryzowany personel serwisu Jam Audio. W celu uzyskania pełnej instrukcji użytkowania i zarejestrowania produktu należy wejść na stronę www.jamaudio.com (USA) lub canada.jamaudio.com (Kanada), lub uk.jamaudio.com/instructionbooks (UK).



Aby zapobiec możliwemu uszkodzeniu słuchu, nie należy słuchać przy dużej głośności przez długi czas.



WYJAŚNIENIE WEEE

Ten symbol oznacza, że w krajach Unii Europejskiej urządzenia nie można wyrzucać wraz innymi odpadami z gospodarstw domowych. Aby zapobiec ewentualnemu zagrożeniu dla środowiska lub zdrowia ludzkiego w wyniku nieprawidłowego pozbywania się odpadów, należy przekazać urządzenie do recyklingu, promując w ten sposób właściwe ponowne wykorzystanie zasobów materialnych.



DYREKTYWA W SPRAWIE BATERII

Symbol ten oznacza, że baterii nie należy wyrzucać razem z odpadami komunalnymi, ponieważ zawierają one substancje, które mogą być szkodliwe dla środowiska i zdrowia. Baterie należy oddawać do wyznaczonych punktów zbiórki.

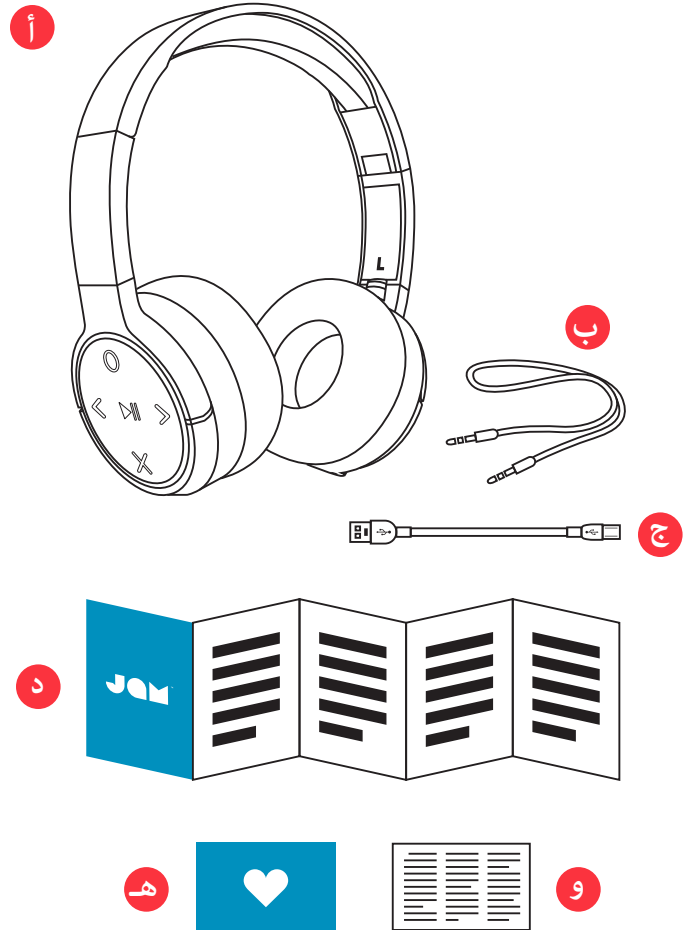
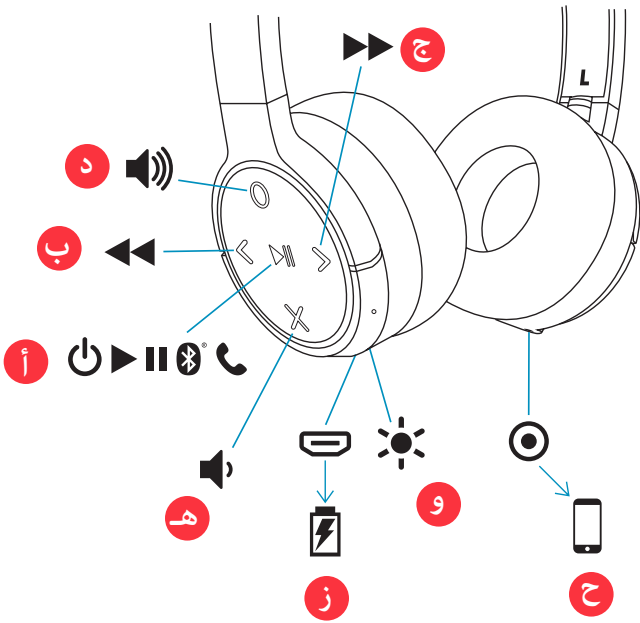
FKA Brands Ltd, niniejszym oświadcza, że niniejsze urządzenie radiowe spełnia podstawowe wymagania oraz inne odpowiednie wymagania dyrektywy 2014/53/UE. Kopię "Deklaracji zgodności" można uzyskać na stronie uk.jamaudio.com/DoC.



ALREADY THERE

HX-HP101

تاميلعتلا باتك



أ - الطاقة شغالة / زر الإغلاق

ب - المسار السابق

ج - المسار التالي

د - زيادة مستوى الصوتي

هـ - تخفيض مستوى الصوت

و - مؤشر ضوئي للصمام الباعث للضوء

ز - مدخل الشحن

ح - مدخل وصلة الإدخال الاضافية Aux-in

أ - سماعات الرأس

ب- كبل الموصل العالمي المتتابع AUX

ج- كبل الموصل العالمي المتتابع USB

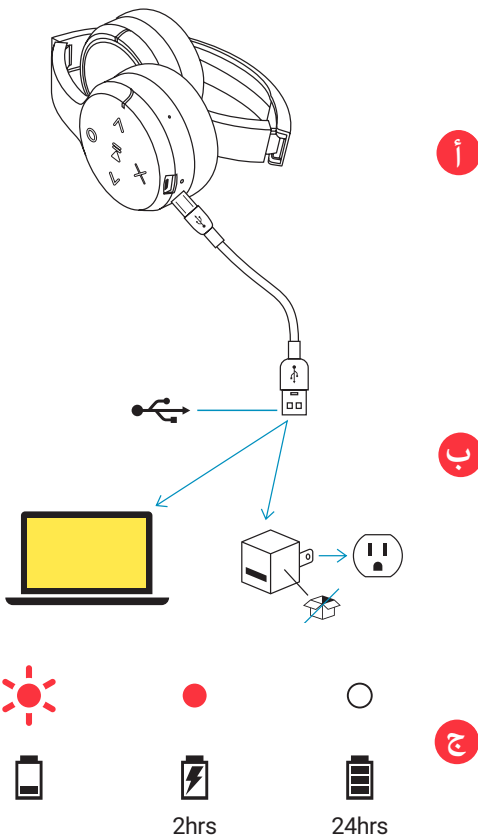
د- دليل البدء السريع

هـ - بطاقة الترحيب

و - بطاقة قانونية

الإعداد

شحن سماعات الأذن



سماعات الأذن طراز "Already There" تتلقى الطاقة من بطارية قابلة للشحن. الرجاء التأكد من شحن سماعات الأذن قبل استعمالها.

أ- فك كبل الشحن المتكامل وأوصل طرف USB المايكرو في منفذ الشحن الموجود على سماعات الأذن.

ب- اوصل قابس USB الأكبر حجمًا بحاسوبك أو مهائئ التيار المتناوب لـ USB الموصل بالطاقة. مهائئ التيار المتناوب ليس مضموناً في العلبة، ولكن يمكنك استخدام المهائئ المستعمل مع هاتفك الجوال أو يمكنك شراء المهائئ المرة القادمة عند وجودك في المتجر.

ج- عندما يومض الصمام الباعث للضوء الأحمر، فإنه يؤثر على انخفاض طاقة البطارية وقد حان الوقت لتوصيل البطارية وإعادة شحنها. قم بشحن البطارية لمدة ساعتين للحصول على 7 ساعات تشغيل؛ عند الشحن يبقى الضوء احمر غامق. وعند اكتمال الشحن، ينطفئ ضوء الصمام الباعث للضوء.

الاستخدام

أ- قم بتشغيل سماعتي الأذن

اضغط على زر الطاقة لمدة 3 ثوان لتشغيل سماعات الأذن.

ب - التوصيل بأحد الأجهزة

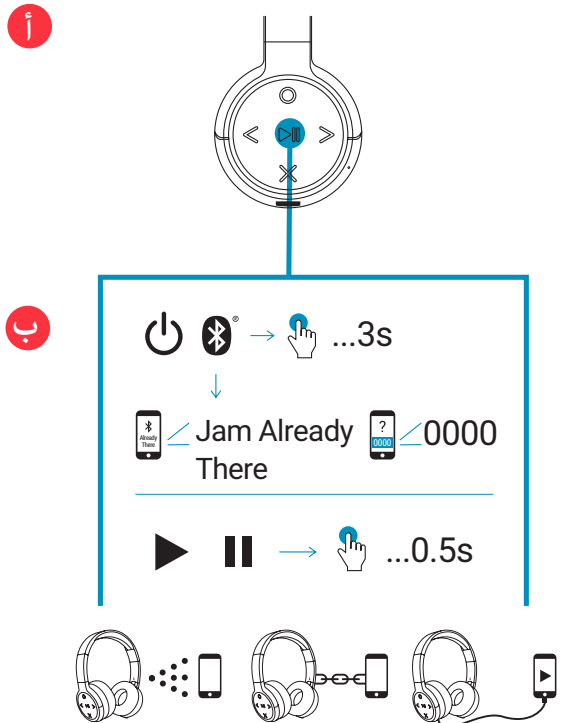
بمجرد تشغيلهما، فإن سماعتي الأذن ستبحثان فوراً عن جهاز للإقتران به؛ الصمام الباعث للضوء سوف يومض باللونين الأحمر والأزرق بالتناوب. قم بتمكين بلوتوث على الجهاز الذي تملكه. من قائمة بلوتوث، حدد "Already There" عند اتصال الجهاز و Already There ببعضهما، سوف تسمع نغمة ويتحول الصمام الباعث للضوء إلى أزرق غامق.

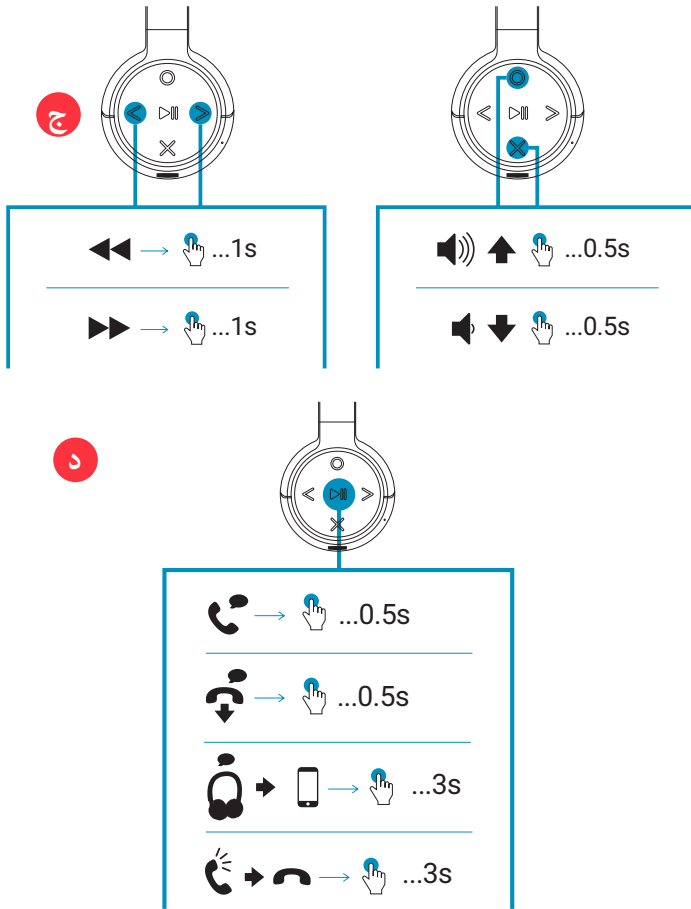
يمكنك أيضاً توصيل جهازك بـ Already There باستخدام كبل aux، الذي من ضمن محتويات العلبة. عند التوصيل يتحول لون الضوء إلى أحمر غامق.

وعند اقتران الجهاز مع سماعات الأذن مرة واحدة، فإنهما سيجدان بعضهما كل مرة طالما كان بلوتوث في الجهاز شغلاً. إذا كنت متصلاً بحاسوب، يتوجب عليك اتخاذ بعض الخطوات الإضافية عند ذلك الطرف. يتوجب عليك الحصول على المعلومات من شركة الحاسوب.

واعتماداً على جهازك، يحتمل أن تُستَحَث لإدخال رمز اقتران. إذا كان الأمر كذلك استخدم كرمز "0000" استخدام كرمز. بالضغط على زرّي "<" و ">" في نفس الوقت، لمدة 3 ثانية سيؤدي ذلك إلى فصل الجهاز المقترن.

قد يتعين عليك أيضاً توصيل الجهاز كما سبق Aux باستخدام كابل وهو غير مضمول مع الجهاز، وعند توصيله، سيتحول الضوء إلى ضوء أحمر ثابت.





ج- عمل الزر

اضغط على زر "تشغيل/إيقاف مؤقت" لمدة 5.0 ثانية لتشغيل الموسيقى. لزيادة مستوى الصوت، اضغط على زر "O" لمدة 5.0 ثانية؛ ولتخفيض مستوى الصوت، اضغط على زر "X" لمدة 5.0 ثانية. لتخطي المسار للأمام، اضغط على زر ">" لمدة 3 ثواني؛ لتخطي المسار للخلف، اضغط على زر "<" لمدة 3 ثواني.

د - مداولة المكالمة

بينما تهتز طرفياً على أنغام الموسيقى، إذا جاءت مكالمة، اضغط على زر "تشغيل/إيقاف مؤقت" لفترة قصيرة للرد على المكالمة؛ اضغط لفترة قصيرة مرة أخرى عند الانتهاء لقطع المكالمة. بينما تستمع إلى المكالمة، إذا أردت تحويل المكالمة إلى مكالمة خاصة، اضغط على زر "تشغيل/إيقاف مؤقت" لتحويل المكالمة من سماعات الأذن إلى حاسوبك.

إذا جاءت مكالمة ولم ترغب في الرد عليها، اضغط على زر "تشغيل/إيقاف مؤقت" لفترة طويلة لإرسال المكالمة إلى البريد الصوتي.

أنظر الجدول أدناه للاطلاع على الوظائف الكاملة للزر وتفسير المؤشر الضوئي للصمام الباعث للضوء.

مؤشرات الصمام الباعث للضوء

الموسيقى

تشغيل/إيقاف	ضغطة قصيرة على زر تشغيل/إيقاف
رفع مستوى الصوت	ضغطة قصيرة على زر "O"
خفض مستوى الصوت	ضغطة قصيرة على زر "X"
التخطي للأمام	ضغطة طويلة على زر ">"
التخطي للخلف	ضغطة طويلة على زر "<"

مكالمات هاتفية

الرد على مكالمة	ضغطة قصيرة على زر تشغيل/إيقاف
رفض الرد على مكالمة	ضغطة طويلة على زر تشغيل/إيقاف
إنهاء مكالمة	ضغطة قصيرة على زر تشغيل/إيقاف
الرد على مكالمة ذاتية	ضغطة قصيرة على زر تشغيل/إيقاف
رفض الرد على مكالمة ذاتية	ضغطة طويلة على زر تشغيل/إيقاف
ضغطة طويلة على زر تشغيل/إيقاف	نقل المكالمات النشطة من سماعات الأذن إلى الجهاز.

الشحن

الوميض الأحمر كل 5 ثواني	البطارية ضعيفة
أحمر صلب	جاري الشحن
الصمام الباعث للضوء مطفأ	الشحن كامل

الاستخدام

ومضة زرقاء وحمراء	فقط الاقتران
ومضة زرقاء كل 5 ثوان	الاقتران مع الجهاز

وظائف أساسية

الطاقة

تشغيل/إيقاف الطاقة	ضغطة طويلة على زر "تشغيل/إيقاف مؤقت"
--------------------	--------------------------------------

معلومات قانونية

اقرأ جميع التعليمات قبل الاستخدام واحتفظ بها للرجوع إليها في المستقبل.

الضمان - المملكة المتحدة وأوروبا

تضمن JAM أن هذا المنتج خال من العيوب فيما يتعلق بالمواد والتصنيع لمدة عامين من تاريخ الشراء. لا يغطي هذا الضمان الضرر الناتج عن سوء الاستخدام أو الاستهلاك المفرط؛ أو وقوع حادث؛ أو استخدام أي ملحقات غير مصرح بها؛ أو تبديل المنتج؛ أو أي حالات أخرى تتجاوز نطاق سيطرة شركة JAM. توزع داخل دول الاتحاد الأوروبي بواسطة شركة FKA Brands Ltd الواقعة في Somerhill Business Park, Tonbridge, TN11 0GB, UK. الهاتف: 0768 3538 020. البريد الإلكتروني: support.row@fkabrands.com.

تعليمات أمنية مهمة

اقرأ جميع التعليمات قبل الاستخدام


- تحذير: استمع بطريقة مسؤولة وواعية. لتجنب تعرض حاسة السمع للضرر، احرص على خفض صوت الجهاز قبل توصيله بالسماعات. بعد وضع السماعات على أذنك، قم برفع مستوى الصوت تدريجيًا حتى تصل إلى مستوى الصوت المناسب والمريح.
- استخدم هذا المنتج للغرض المخصص له فقط على النحو الموصوف في هذا الدليل. لا تستخدم مرفقات غير موصى بها من قبل Jam.
- لا تُعد شركة Jam مسؤولة عن أي تلف يلحق بالهواتف الذكية أو مشغلات iPod/MP3 أو أي أجهزة أخرى.
- لا تضع هذا المنتج أو تُخزنه في مكان قد يتعرض فيه للوقوع أو السقوط في حوض أو مغسلة. لا تضعه أو تُسقطه في مياه أو أي سوائل أخرى.
- غير مخصص للاستخدام من قبل الأطفال. فهذا المنتج ليس لعبة.
- لا تُشغل هذا المنتج أبدًا إذا كان به سلك أو قابس أو كابل أو مبيت تالف.
- ابعده عن الأسطح الساخنة.
- ضعه فقط على أسطح جافة. لا تضعه على أسطح مبتلة من المياه أو سوائل التنظيف.

تحذير: يحتوي هذا المنتج على بطارية ليثيوم داخلية غير قابلة للاستبدال. يُرجى التخلص منها وفقًا للإرشادات المحلية والخاصة بالولاية أو المقاطعة أو الدولة. ينبغي عدم تعريض البطاريات (عبوة البطاريات أو البطاريات المركبة) إلى حرارة زائدة مثل أشعة الشمس أو الحريق أو ما شابه.


استبدال البطارية

تتضمن سماعات الرأس بطارية قابلة لإعادة الشحن مُصممة لتدوم طوال العمر الافتراضي للمنتج. في حالة احتياجك، غير المتوقع، إلى بطارية بديلة، يُرجى الاتصال بخدمات المستهلك، التي سوف تمدك بتفاصيل خدمة استبدال البطارية داخل وخارج الضمان. يحتوي هذا المنتج على قواطع صغيرة قد تُشكل خطر اختناق على الأطفال الصغار.


تنبيه: يجب إجراء أي خدمات صيانة لهذا المنتج بواسطة موظف صيانة معتمد من قبل شركة Jam Audio فقط. للحصول على دليل الاستخدام الكامل ولتسجيل منتجك، تفضل بزيارة www.jamaudio.com (الولايات المتحدة الأمريكية) أو canada.jamaudio.com (كندا)، أو uk.jamaudio.com/instructionbooks (المملكة المتحدة).

لتجنب الضرر الذي قد يتعرض له حاسة السمع، لا تستمع إلى صوت مرتفع لفترات طويلة. 

تفسير علامة «WEEE»

هذا الرمز يُشير إلى أنه لا ينبغي التخلص من هذا المنتج مع النفايات المنزلية الأخرى في جميع أنحاء دول الاتحاد الأوروبي. لتجنب أي ضرر متحمل على البيئة أو صحة الإنسان من التخلص غير المنظم للنفايات، قم بإعادة تدويره بطريقة مسؤولة لتعزز إعادة الاستخدام المستدام للموارد المادية. 

التعليمات الخاصة بالبطارية

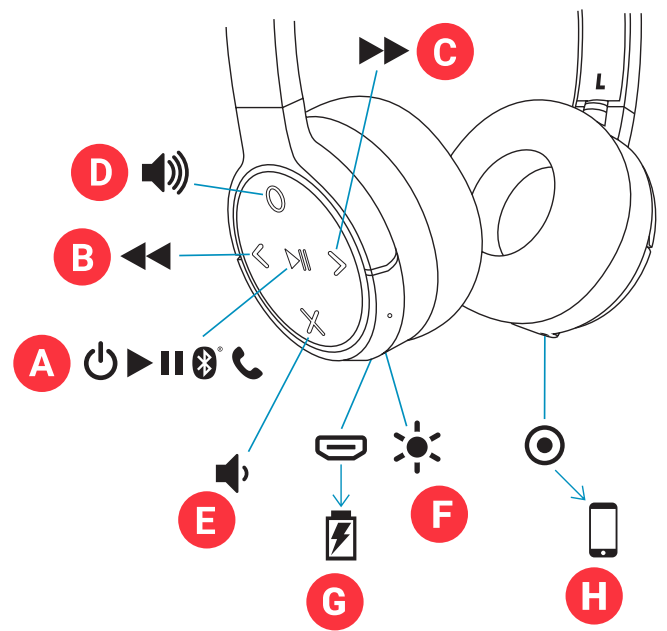
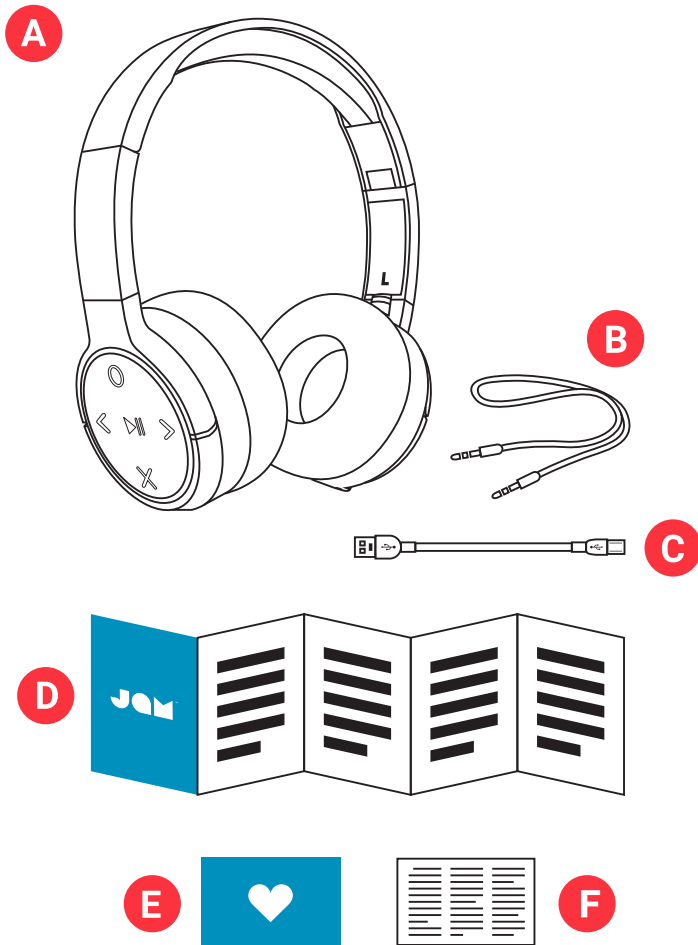
يُشير هذا الرمز إلى أنه ينبغي عدم التخلص من البطاريات ضمن النفايات المنزلية لأنها تحتوي على مواد قد تضر بالبيئة والصحة. يُرجى التخلص من البطاريات في نقاط التجميع المحددة. 

تُقر شركة FKA Brands Ltd بموجبه بأن هذا الجهاز الراديوي يتوافق مع المتطلبات الأساسية والأحكام الأخرى ذات الصلة الواردة في توجيه EU/2014/53. يمكن



ALREADY THERE

HX-HP101
사용 설명서



- A - 헤드폰
- B - 보조 코드
- C - USB 충전 케이블
- D - 빠른 시작 가이드
- E - 환영 카드
- F - 법률 카드

- A - 전원 켜짐/꺼짐/재생/일시정지 버튼
- B - 이전 트랙
- C - 다음 트랙
- D - 볼륨 크게
- E - 볼륨 작게
- F - LED 표시등
- G - 충전 포트
- H - 보조 입력 포트

설정

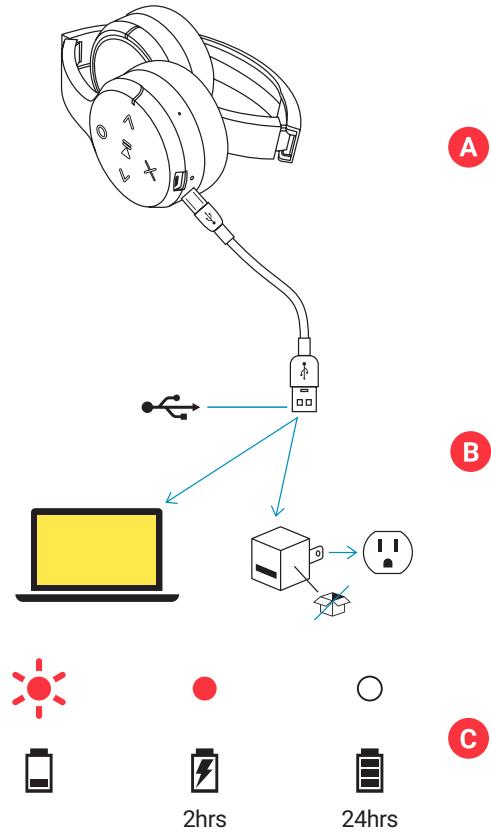
헤드폰 충전

“Already There” 헤드폰은 충전식 배터리로 작동됩니다. 헤드폰은 충전 상태로 제공되지만 처음 사용 시에는 최적의 재생 시간을 확보하기 위해 충전을 한 후 사용하십시오.

A - 충전 케이블을 풀어 마이크로 USB 끝을 헤드폰의 충전 포트에 끼웁니다.

B - 더 큰 USB 플러그를 컴퓨터 또는 구동된 USB AC 어댑터에 연결합니다. AC 어댑터는 박스에 포함되어 있지 않지만, 휴대전화용의 것을 사용하거나 다음에 매장에 들어서서 하나 받을 수 있습니다.

C - LED가 빨간색으로 깜박이면 배터리가 부족하고 플러그를 꽂아 재충전할 때임을 나타냅니다. 약 2시간 동안 충전하면 최대 24시간 재생할 수 있습니다. 충전 중에는 표시등이 빨간색 단색을 유지합니다. 완충되면 LED 표시등이 꺼집니다.



사용

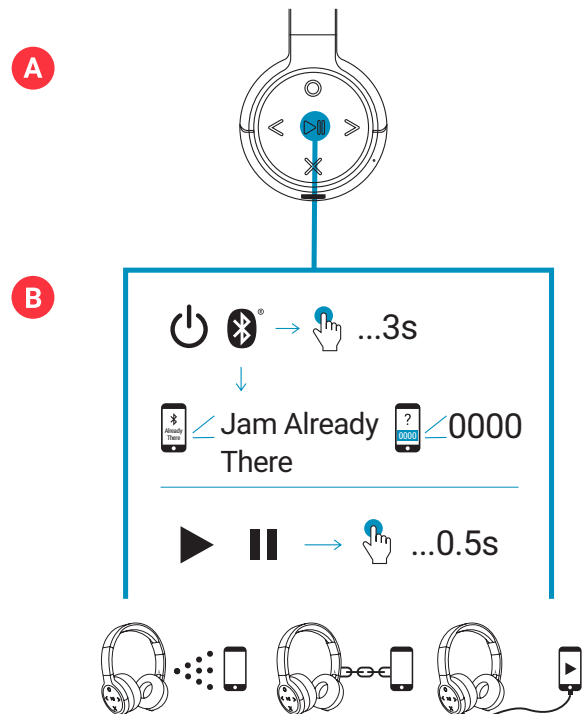
A - 헤드폰 켜기
“재생/일시정지” 버튼을 3초 동안 길게 눌러 헤드폰을 켭니다.

B - 기기에 연결
헤드폰은 전원을 켜는 즉시 페어링을 할 기기를 검색합니다. LED가 빨간색과 파란색으로 번갈아 깜박입니다. 기기에서 Bluetooth를 활성화합니다. Bluetooth® 메뉴에서 “Jam Already There”을 선택합니다. 기기와 Already There이 연결되면 신호음이 들리고 LED 표시등이 파란색 단색이 됩니다.

페어링이 완료되면 기기의 Bluetooth가 켜져 있는 동안은 기기와 헤드폰이 매번 서로를 찾습니다. 컴퓨터에 연결하는 경우 이를 위해 몇 단계를 더 밟을 수 있습니다. 해당 정보는 컴퓨터 회사에서 얻어야 합니다.

기기에 따라 페어링 코드를 입력하라는 메시지가 표시될 수 있습니다. 이 경우 코드로 “0000”을 사용하십시오. “<” 버튼과 “>” 버튼을 동시에 3초 동안 길게 누르면 페어링된 기기의 연결이 끊어집니다.

별매품인 보조 코드를 사용하여 기기를 Already There에 연결할 수도 있습니다. 플러그를 꽂으면 표시등이 빨간색 단색이 됩니다.



C - 버튼 기능

“재생/일시정지” 버튼을 0.5초 동안 짧게 눌러 음악을 재생합니다. 볼륨을 높이려면 “O” 버튼을 짧게 누르고, 볼륨을 낮추려면 “X” 버튼을 짧게 누릅니다. 한 트랙 앞으로 건너뛰려면 “>” 버튼을 길게 누르고, 한 트랙 뒤로 건너뛰려면 “<” 버튼을 길게 누릅니다.

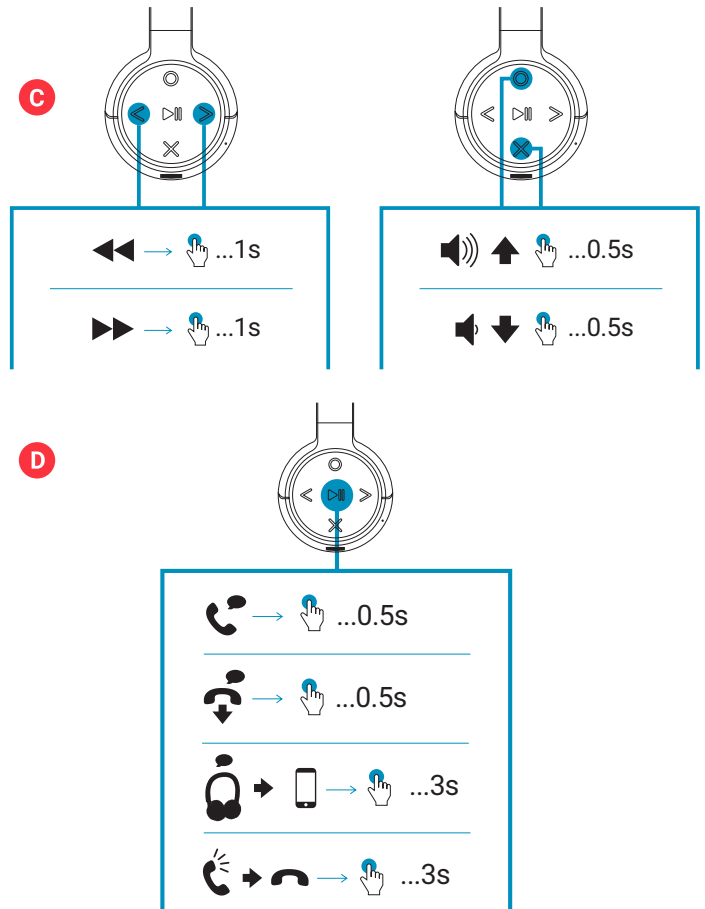
D - 통화 처리

음악을 즐기고 있을 때 전화가 오면 “재생/일시정지” 버튼을 짧게 눌러 전화를 당겨받고, 통화가 끝나면 다시 짧게 눌러 전화를 끄습니다.

통화 중인데 비공개로 하고 싶으면 “재생/일시정지” 버튼을 길게 눌러 헤드폰에서 휴대전화로 통화를 이동합니다.

전화가 오는데 당겨받고 싶지 않으면 “재생/일시정지” 버튼을 길게 눌러 전화를 음성 메일로 보냅니다.

*전체 버튼 기능과 LED 표시등의 의미는 아래 표를 참조하십시오.



LED 표시등

충전 중

빨간색이 5초마다 깜박임	배터리 부족
빨간색 단색	충전 중
LED 꺼짐	충전 완료

사용 중

파란색과 빨간색으로 깜박임	페어링 모드
5초마다 파란색으로 깜박임	기기와 페어링됨

기본 기능

전원

전원 켜짐/꺼짐	재생/일시정지 버튼을 길게 누름
----------	-------------------

음악

재생/일시정지	재생/일시정지 버튼을 짧게 누름
볼륨 크게	O 버튼을 짧게 누름
볼륨 작게	X 버튼을 짧게 누름
앞으로 한 트랙 건너뛰기	> 버튼을 길게 누름
뒤로 한 트랙 건너뛰기	< 버튼을 길게 누름

전화

전화 당겨받기	재생/일시정지 버튼을 짧게 누름
통화 거부	재생/일시정지 버튼을 길게 누름
통화 종료	재생/일시정지 버튼을 짧게 누름
2차 수신 전화 받기	재생/일시정지 버튼을 짧게 누름
2차 수신 전화 거부	재생/일시정지 버튼을 길게 누름
통화 중인 전화를 헤드폰에서 기기로 이동	재생/일시정지 버튼을 길게 누름

법률 정보

사용 전에 모든 지침을 읽고 이후 참조할 수 있도록 보관해 두십시오.

보증 - 한국

JAM은 본 제품이 구매일로부터 1년 동안 재료 및 제작상의 결함이 없음을 보증합니다. 본 보증은 오용이나 남용, 사고, 허가되지 않은 부속품의 장착, 제품 개조, 또는 JAM의 통제를 벗어난 기타 모든 조건으로 인한 손상에는 적용되지 않습니다.

이메일: cs@dmac.co.kr.

중요한 안전 지침

사용 전에 모든 지침을 읽으십시오.

경고: 책임감 있게 들어 주십시오. 청력 손상을 방지하려면, 헤드폰을 연결하기 전에 기기 볼륨을 낮추십시오. 헤드폰을 귀에 갖다 댄 후, 듣기에 편안한 볼륨에 도달할 때까지 서서히 올리십시오.


- 본 제품은 본 설명서에 기재된 원래 목적으로만 사용하십시오. Jam에서 권장하지 않는 연결장치는 사용하지 마십시오.
- Jam는 스마트폰, iPod/MP3 플레이어 또는 기타 기기로 인한 손상에 대해 책임지지 않습니다.
- 통이나 개수대 안으로 떨어지거나 빠질 수 있는 곳에 본 제품을 놓거나 보관하지 마십시오.
- 물이나 기타 액체에 넣거나 빠뜨리지 마십시오.
- 어린이는 사용을 금합니다. 본 제품은 장난감이 아닙니다.
- 코드, 플러그, 케이블 또는 하우징이 손상된 경우 본 제품을 작동하지 마십시오.
- 가열된 표면에서 멀리하십시오.
- 건조한 표면에만 놓으십시오. 물이나 세정 용제로 젖은 표면에 올려 놓지 마십시오.


경고: 본 제품에는 교체 불가능한 리튬 배터리가 내장되어 있습니다. 해당 지역, 주 및 국가의 지침에 따라 폐기해 주십시오. 배터리(배터리 팩 또는 설치된 배터리)는 햇빛, 불 등과 같은 과도한 열에 노출되어서는 안 됩니다.


배터리 교체

귀하의 헤드폰에는 제품의 수명을 지속하도록 설계된 재충전 배터리가 포함되어 있습니다. 드물지만 배터리를 교체해야 하는 경우에는 소비자 서비스 부서에 문의하여 보증 및 보증 외 배터리 교체 서비스에 대한 상세 정보를 확인하십시오. 본 제품에는 어린이에게 질식 위험이 있을 수 있는 소형 부품이 들어 있습니다.

주의: 본 제품의 모든 서비스는 JAM Audio의 공인된 서비스 인력만 수행해야 합니다. 완전한 사용자 가이드 및 제품 등록에 대해서는 www.jamaudio.com(미국), canada.jamaudio.com(캐나다), 또는 uk.jamaudio.com/instructionbooks(영국)을 참조하십시오.

 청력 손상 방지를 위해 오랜 시간 동안 높은 음량으로 듣지 마십시오.

 WEEE 설명
이 표시는 이 제품을 EU 전역에서 다른 가정용 쓰레기와 함께 폐기해서는 안 된다는 것을 나타냅니다. 통제되지 않은 쓰레기 폐기로 인해 환경이나 인체에 해를 끼치지 않도록 하려면 책임감을 갖고 재활용하여 물질 자원의 지속 가능한 재사용을 촉진하십시오.

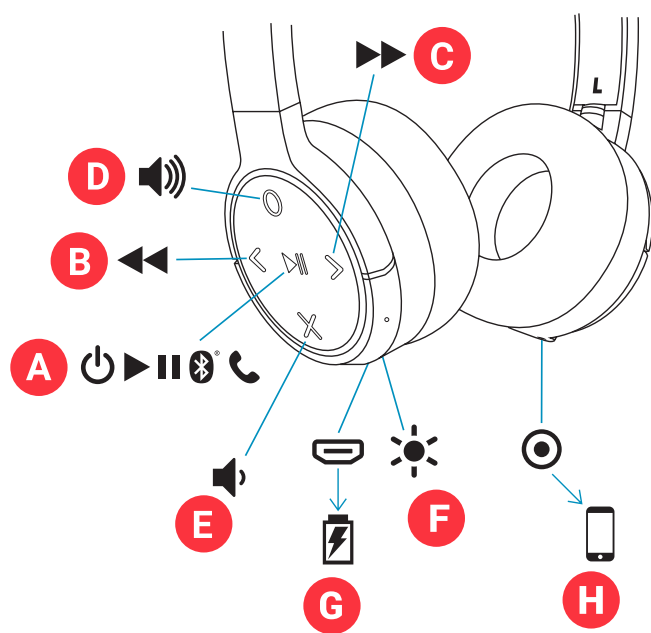
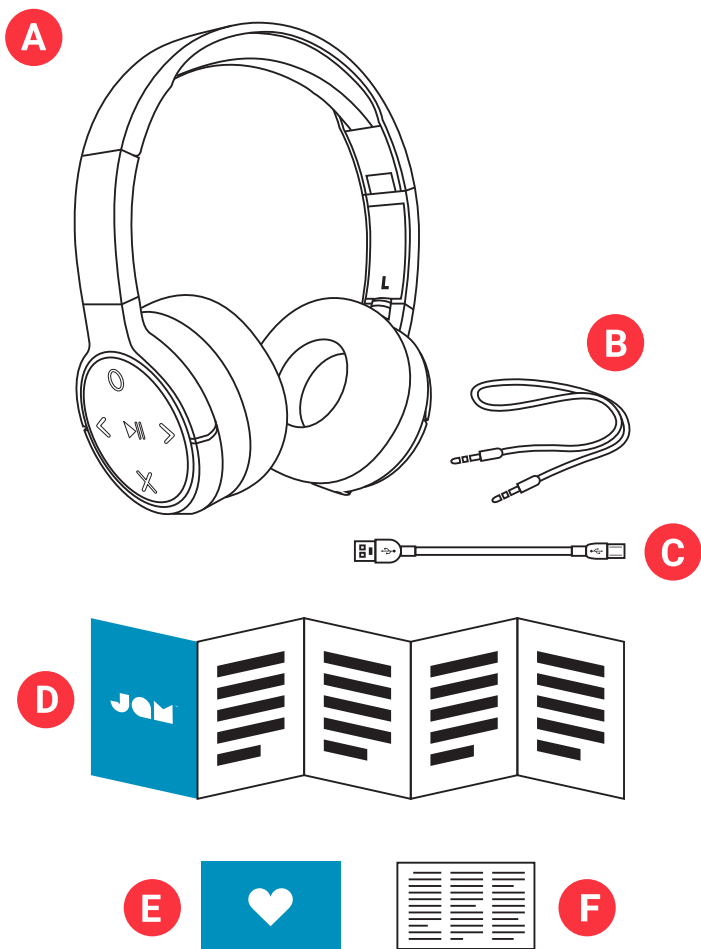
 배터리 지침
이 기호는 배터리가 환경 및 건강에 해를 끼칠 수 있는 물질을 함유하고 있으므로 가정용 쓰레기로 폐기해서는 안 된다는 것을 나타냅니다. 배터리를 지정된 수거 장소에 버리십시오.

FKA Brands Ltd는 이 무선 기기가 Directive 2014/53/EU의 필수 요건 및 기타 관련 조항을 준수함을 선언합니다. 적합성 선언서 (Declaration of Conformity) 사본은 uk.jamaudio.com/DoC에서 얻을 수 있습니다.



ALREADY THERE

HX-HP101
使用説明



- A — 耳機
- B — AUX線
- C — USB充電線
- D — 快捷使用說明
- E — 歡迎卡
- F — 法律說明

- A — 電源開/關/播放/暫停鍵
- B — 前一節目
- C — /下一節目
- D — 增大音量
- E — 減小音量
- F — LED 顯示燈
- G — 充電口
- H — Aux入口

設定

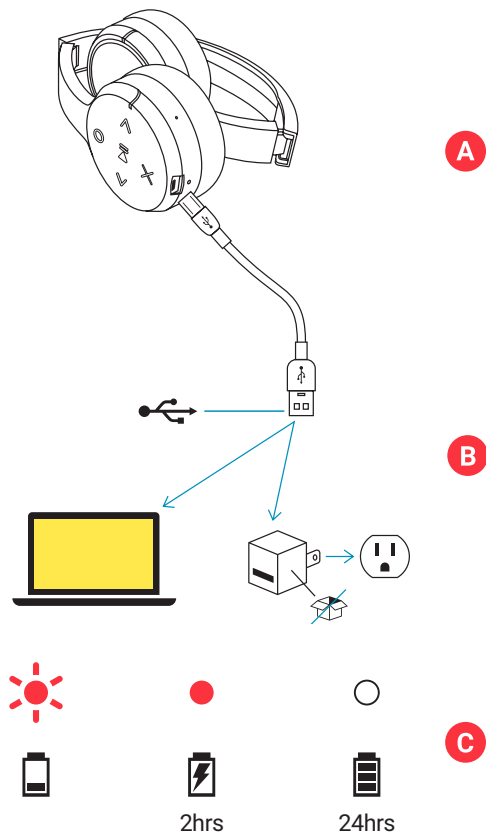
給耳機充電

「Already There」的電源來自一個充電電池拆封時耳機的電源已充電。但是，為最佳使用，請在使用前充電。

A — 解開充電線將其USB細小的一端插入耳機的充電口

B — 將USB較大另一端接入電腦或USB交流適配器本品不配置交流適配器。但你可以使用手機用適配器或方便時去商店時購買一個。

C — 當LED紅燈亮起時，說明電池電源不足。現在需要插入電源，給電池充電。充電2小時大致可以播放24小時。充電過程中，紅燈一直亮著。當充電完成時，LED燈熄滅。



使用

A — 啟動耳機

啟動耳機時，長按「播放/暫停」鍵3秒。

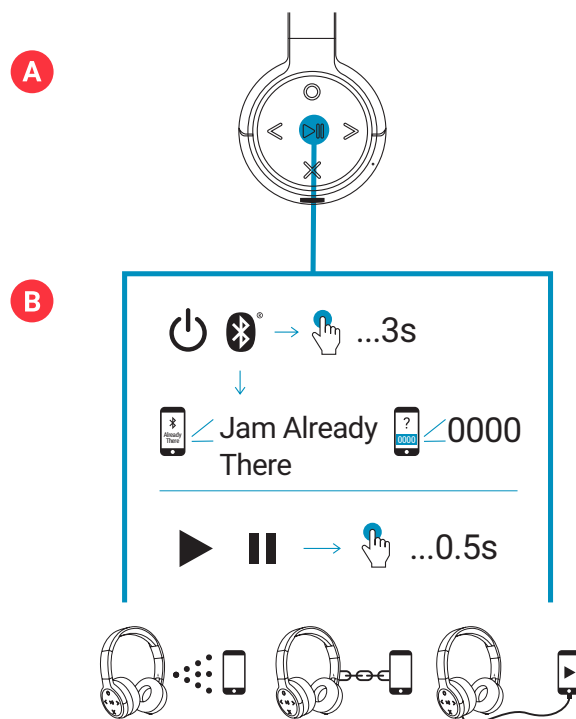
B — 與一個設備連接

啟動後，耳機立即自動尋找某個設備配對。此時，紅、藍LED燈將交換閃爍啟動裝置的藍牙功能。在藍牙功能表中選取「Been There」。當設備與Already There 連接成功後，將聽到一個鈴聲，LED燈並變成穩定藍色。

一旦連接一次以後，只要設備的藍牙開啟，該設備和耳機即可找到對方。如果打算用與電腦相連，將另外有一些步驟。請向電腦製造商索要相關資訊。

取決於所用設備，也可能你需要輸入一個配對碼。需要時，配對碼是「0000」。同時按「<」和「>」3秒鐘後，設備與耳機的配對即斷開。

也可以將設備與 Already There 用附帶的AUX線連接。連好後，LED將保持紅色。



C — 按鍵功能

聆聽音樂時，短按「播放/暫停」鍵半秒鐘。增大音量時，短按「O」鍵，減小音量時，則按「X」。為跳過一個節目，長按「>」；向後跳過一個節目，長按「<」。

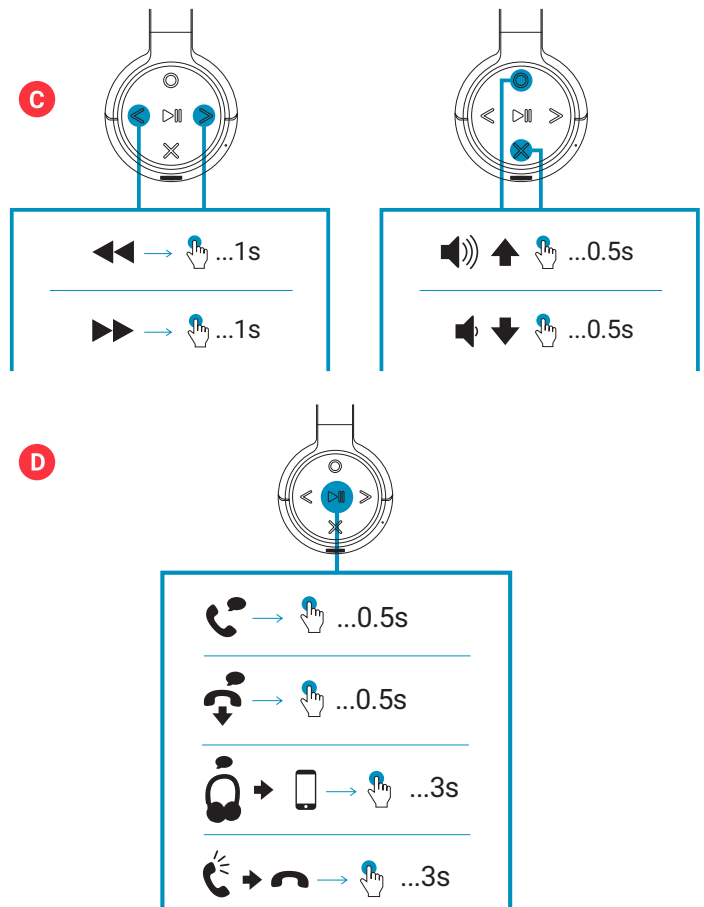
D — 接聽電話

聽音樂時，如有來電，則短按「播放/暫停」鍵接聽電話；接聽結束時，再短按一次。

聽電話時，如欲保持私密，則長按「播放/暫停」將聲音轉入手機。

如不想接聽來電，則長按「播放/暫停」將來電轉入語音信箱。

*下表列有完整的按鍵功能和LED燈光顯示解釋。



LED顯示燈

充電

紅燈每五秒閃爍一次	電池低電量
紅燈亮起	正在充電
LED燈熄滅	充電完成

使用中

藍紅閃爍	配對之中
藍燈每5秒閃爍一次	與設備配對成功

基本功能

電源

開、關電源	長按「播放/暫停」鍵
-------	------------

音樂

播放/暫停	短按「播放/暫停」鍵
增大音量	短按O鍵
減小音量	短按X鍵
向前跳過一個節目	長按>鍵
向後跳過一個節目	長按<鍵

電話

接聽電話	短按「播放/暫停」鍵
拒絕接聽電話	長按「播放/暫停」鍵
結束通話	短按「播放/暫停」鍵
接聽第二個來電	短按「播放/暫停」鍵
拒絕接聽第二個來電	長按「播放/暫停」鍵
將來電從耳機轉至設備	長按「播放/暫停」鍵

重要安全說明

請在使用前閱讀所有內容

警告：聆聽時注意保護聽力。為了避免聽力損傷，請確保在連接耳機之前調低裝置的音量。戴上耳機之後，逐漸調高音量以達到舒適的聆聽音量。

- 請僅以本手冊中描述的用途使用本產品。請勿使用非 JAM 推薦的附屬品
- JAM 不承擔因智慧型手機、iPod/MP3 播放器或其他裝置造成的損傷責任。
- 請勿將本產品放置或存放在浴缸或水槽旁。
- 請勿將本產品放置或丟入水中或其他液體中。
- 不適合兒童使用。這不是玩具。
- 如果線路、插頭、纜線或外罩已損壞，請勿操作本產品。
- 遠離發熱的表面。
- 僅置於乾燥的表面。請勿將本產品置於被水或清潔溶劑弄濕的表面。

警告：本產品帶有一個內建且不可替換的鋰電池。用過的電池須遵照您所居住的州、省或國家的相關法規來丟棄。請勿讓電池（電池組或已安裝的電池）暴露在陽光、火焰或任何其他高熱之下。

電池替換 您的耳機帶有一個充電電池，以延長產品的使用期。在某些特殊情況下您需要更換電池，請聯絡客戶服務人員，他們會為您提供保固期內或超過保固期的電池更換服務詳情。本產品包含小零件，可能會給您的孩子造成窒息的危險。

注意：本產品的所有服務必須僅由 Jam Audio 服務人員授權提供。

要取得完整的使用者手冊及登記您的產品，請造訪 www.jamaudio.com (美國) or canada.jamaudio.com (加拿大) uk.jamaudio.com/instructionbooks(英國)



為避免可能的聽力損傷，請勿長時間以高音量播放。



WEEE 規範 本標記表示在歐盟地區本產品不得與家居廢物一起丟棄。為避免因不經控制的廢物丟棄對環境和人身健康造成可能的傷害，請負責任地回收電池以促進物質資源的可持續的重復利用。



電池指令 本標識表示電池不得丟棄於家居廢物中。它們均含有對環境和健康造成傷害的物質。請將電池丟棄於指定的收集地點。

FKA Brands Ltd 特此聲明，本無線裝置符合指令 2014/53/EU 的基本要求和和其他相關條款。「符合標準聲明」的副本可從下面取得 uk.jamaudio.com/DoC

低功率電波輻射性電機管理辦法

第十二條 經型式認證合格之低功率射頻電機，非經許可，公司、商號或使用者均不得擅自變更頻率、加大功率或變更原設計之特性及功能。

第十四條 低功率射頻電機之使用不得影響飛航安全及干擾合法通信；經發現有干擾現象時，應改善至無干擾時方得繼續使用。

前項合法通信，指依電信法規定作業之無線電通信。

低功率射頻電機須忍受合法通信或工業、科學及醫療用電波輻射性電機設備之干擾。